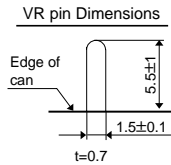
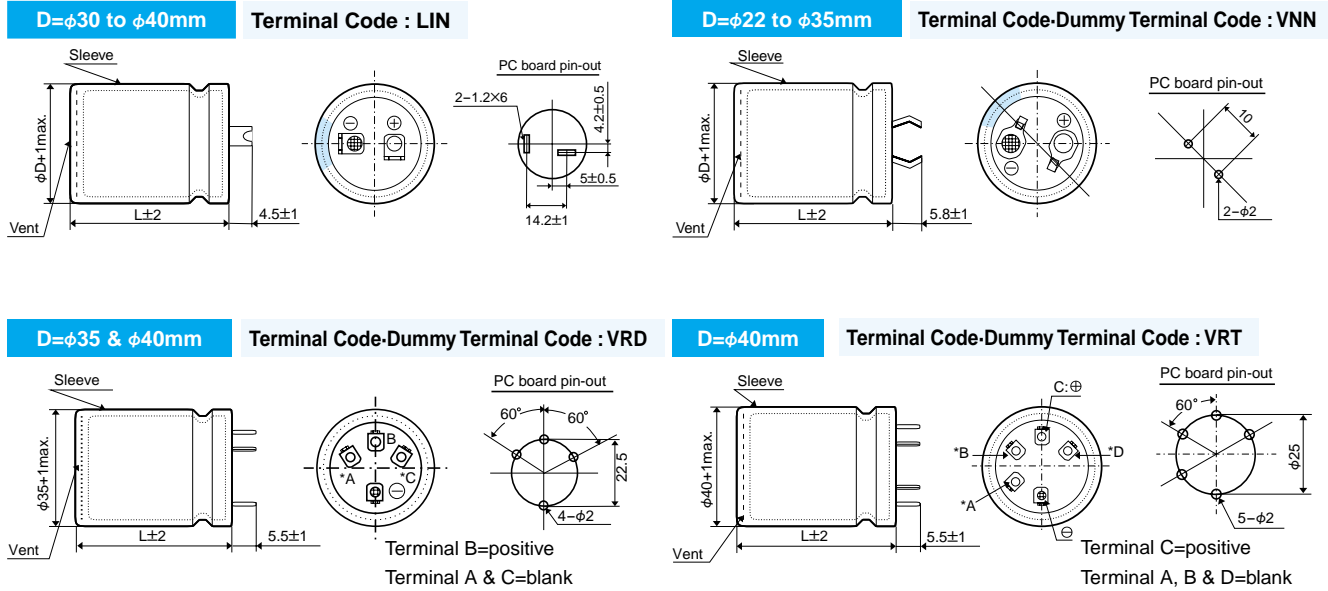


AVAILABLE TERMINALS FOR SNAP-IN TYPE [mm]

The following terminal option can be selected.

Please consult us before purchase.



CAUTION

* Use the blank terminals for mechanical support only.
The blank terminals must not be connected to any copper trace on PC board.
Be sure to electrically isolate from the negative and the positive terminals.

