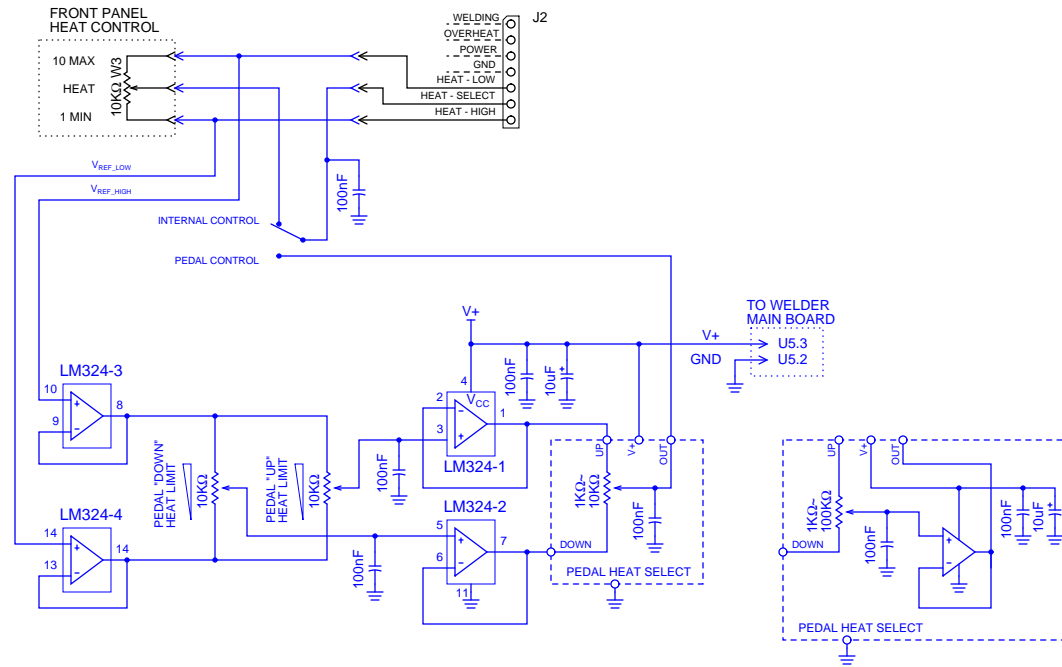
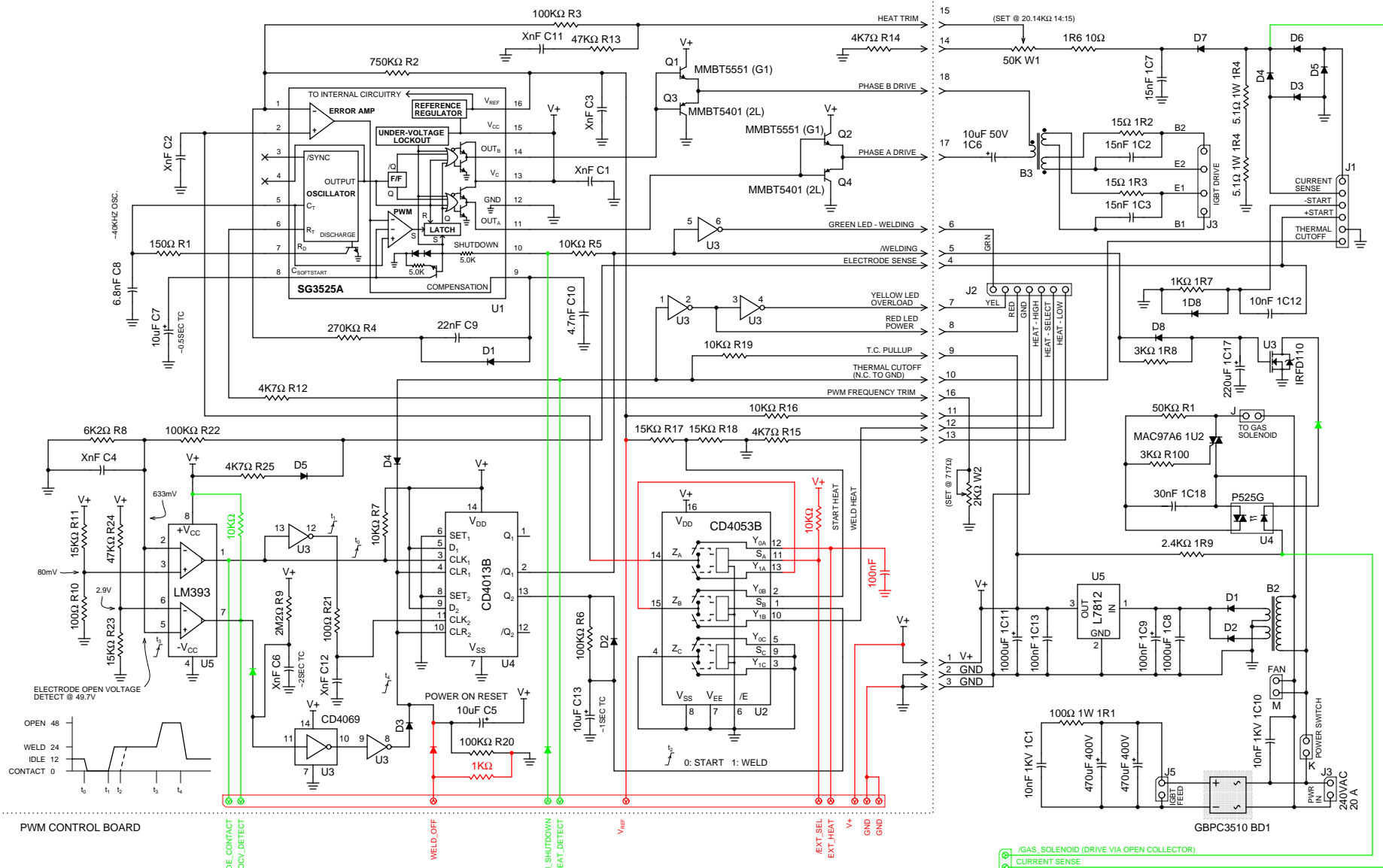


LM324-3 AND LM324-4 BUFFER HIGH/LOW HEAT LIMITS OF ORIGINAL DIVIDER. PEDAL LIMITS DEFINE UP/DOWN RANGE WINDOW THROUGH WHICH PEDAL HEAT POT SWEEPS



BUFFERING LINE TO WELDER FOR HIGH IMPEDANCE PEDAL POTENTIOMETER

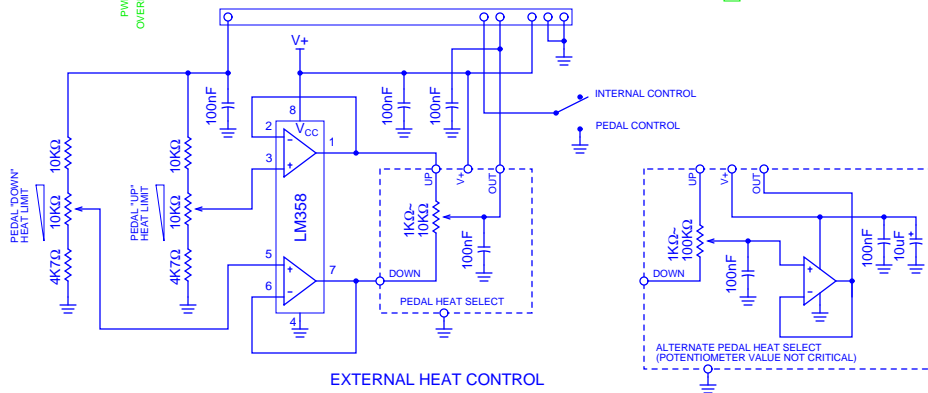


PWM CONTROL BOARD

GBPC3510 BD1

MODIFICATION OF WELDER TO PROVIDE FULL EXTERNAL CONTROL ACCESS (EXTERNAL HEAT SELECT SHOWN AS EXAMPLE USAGE)

- EXTERNAL HEAT CONTROL
- EXTERNAL TIMING CONTROL
- EXTERNAL CIRCUITRY



EXTERNAL HEAT CONTROL

ALTERNATE PEDAL HEAT SELECT (POTENTIOMETER VALUE NOT CRITICAL)