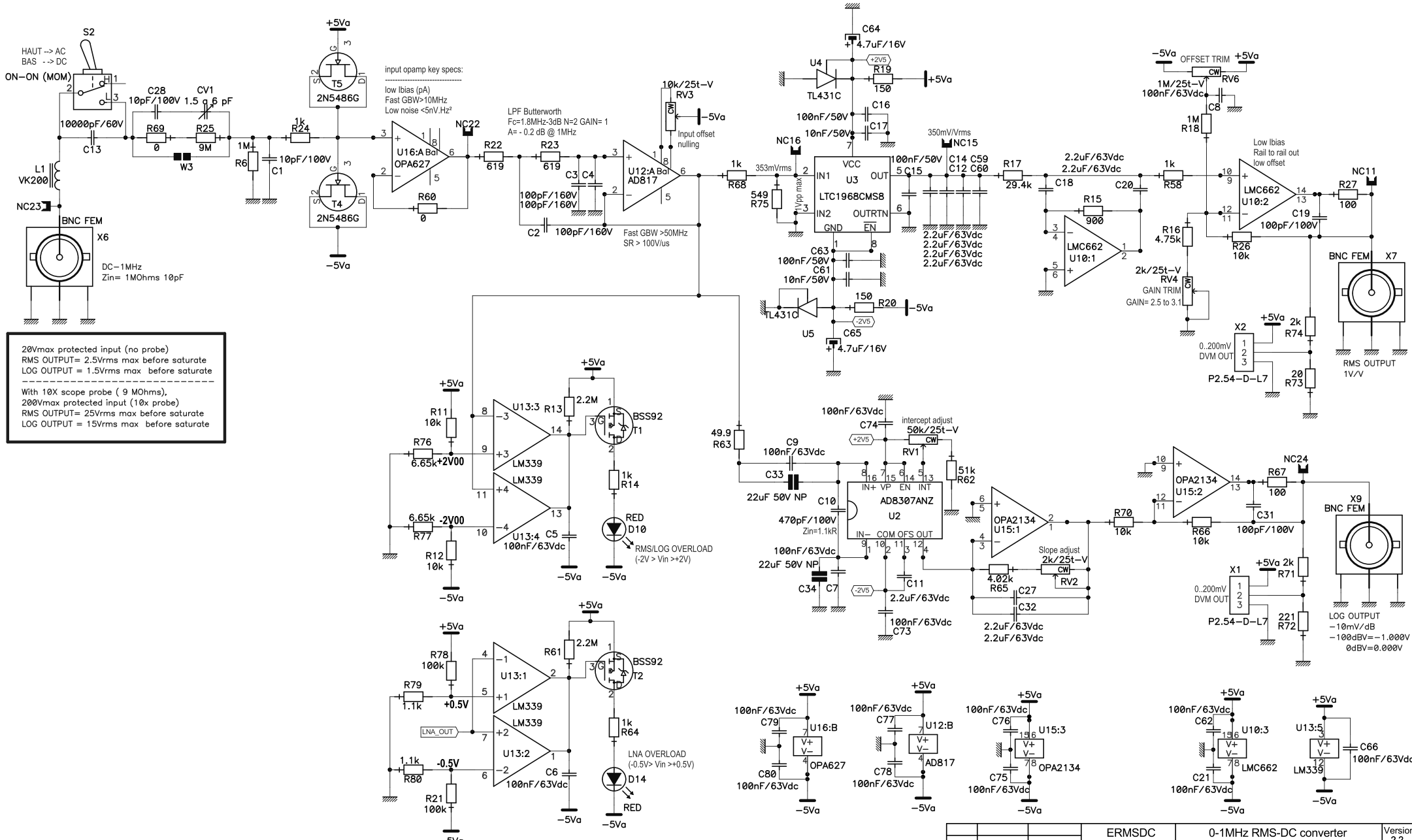


# DC..1MHz precision RMS voltmeter



ERMSDC			0-1MHz RMS-DC converter & ultra low noise 1Hz-100kHz 80dB amplifier		Version 2.2
			Sheet1		Page 1 / 2
			Mon Dec 06, 2010		
Ver	Date	Nom	e-mail: contact@oneaudio.net www.oneaudio.net		