

1 2 3 4 5 6 7 8

A

A

B

B

C

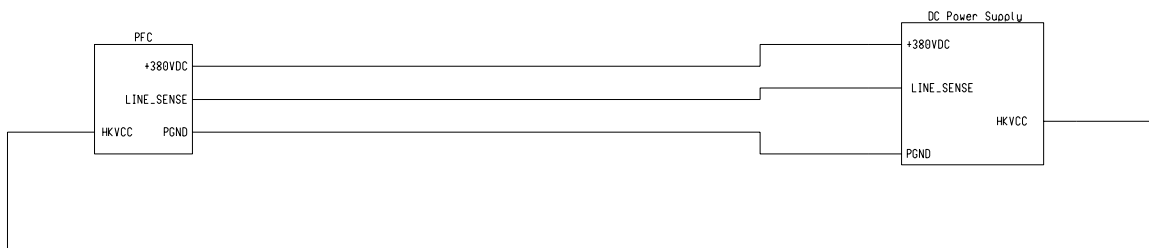
C

D

D

E

E

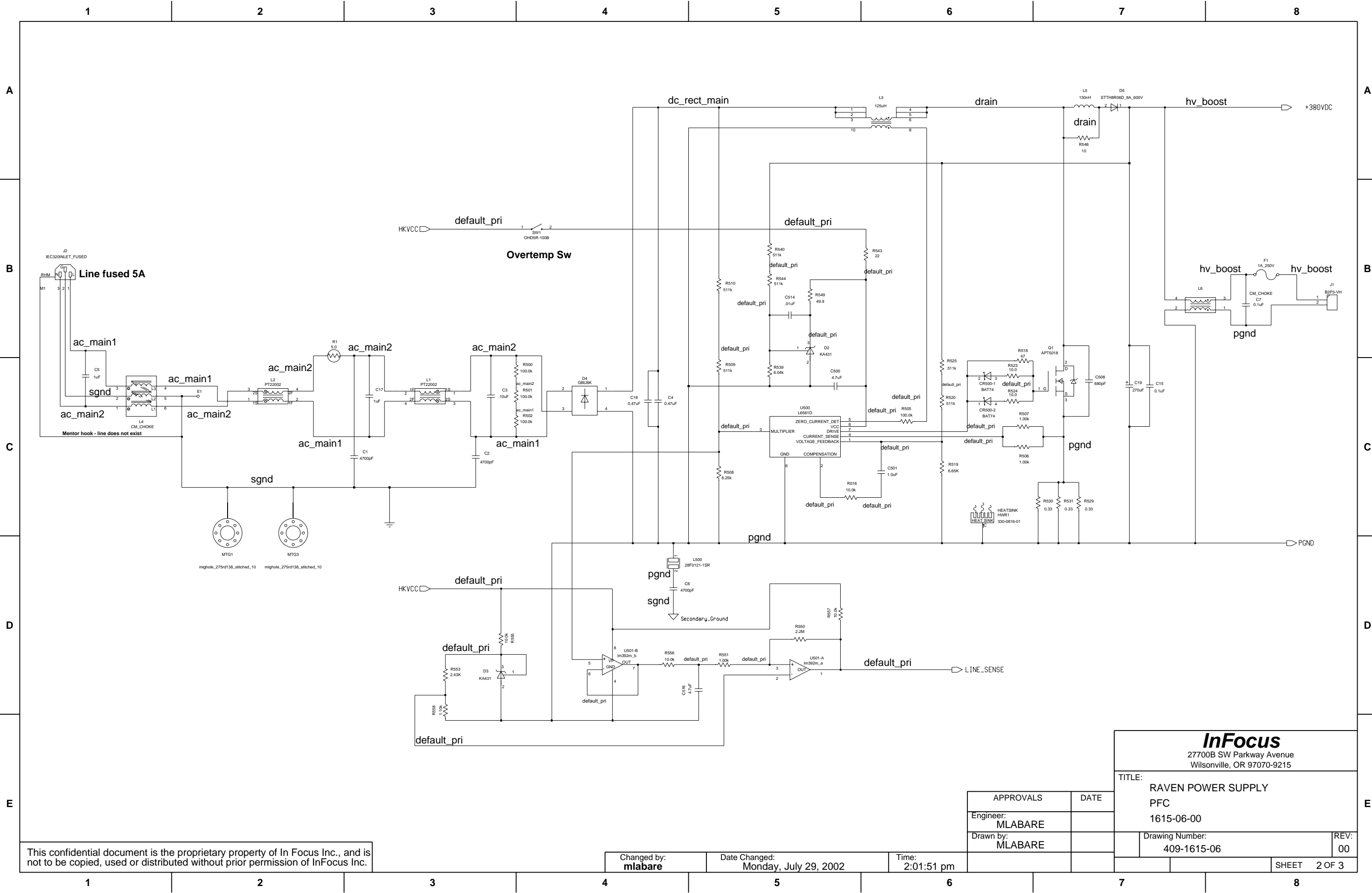


InFocus 27700B SW Parkway Avenue Wilsonville, OR 97070-9215	
TITLE: RAVEN POWER SUPPLY SCHEMATIC 1615-06-00	
APPROVALS	DATE
Engineer: MLABARE	
Drawn by: MLABARE	
Drawing Number: 409-1615-06	REV: 00
SHEET 1 OF 3	

This confidential document is the proprietary property of In Focus Inc., and is not to be copied, used or distributed without prior permission of InFocus Inc.

Changed by: mlabare	Date Changed: Monday, July 29, 2002	Time: 1:59:09 pm
-------------------------------	--	---------------------

1 2 3 4 5 6 7 8



This confidential document is the proprietary property of In Focus Inc., and is not to be copied, used or distributed without prior permission of InFocus Inc.

Changed by: **mlabare** Date Changed: **Monday, July 29, 2002** Time: **2:01:51 pm**

APPROVALS	DATE
Engineer: MLABARE	
Drawn by: MLABARE	

InFocus
27700B SW Parkway Avenue
Wilsonville, OR 97070-9215

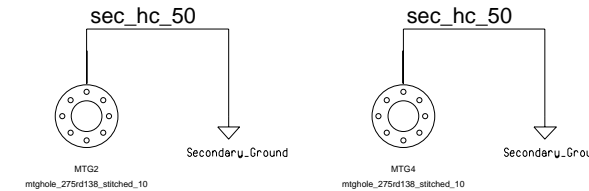
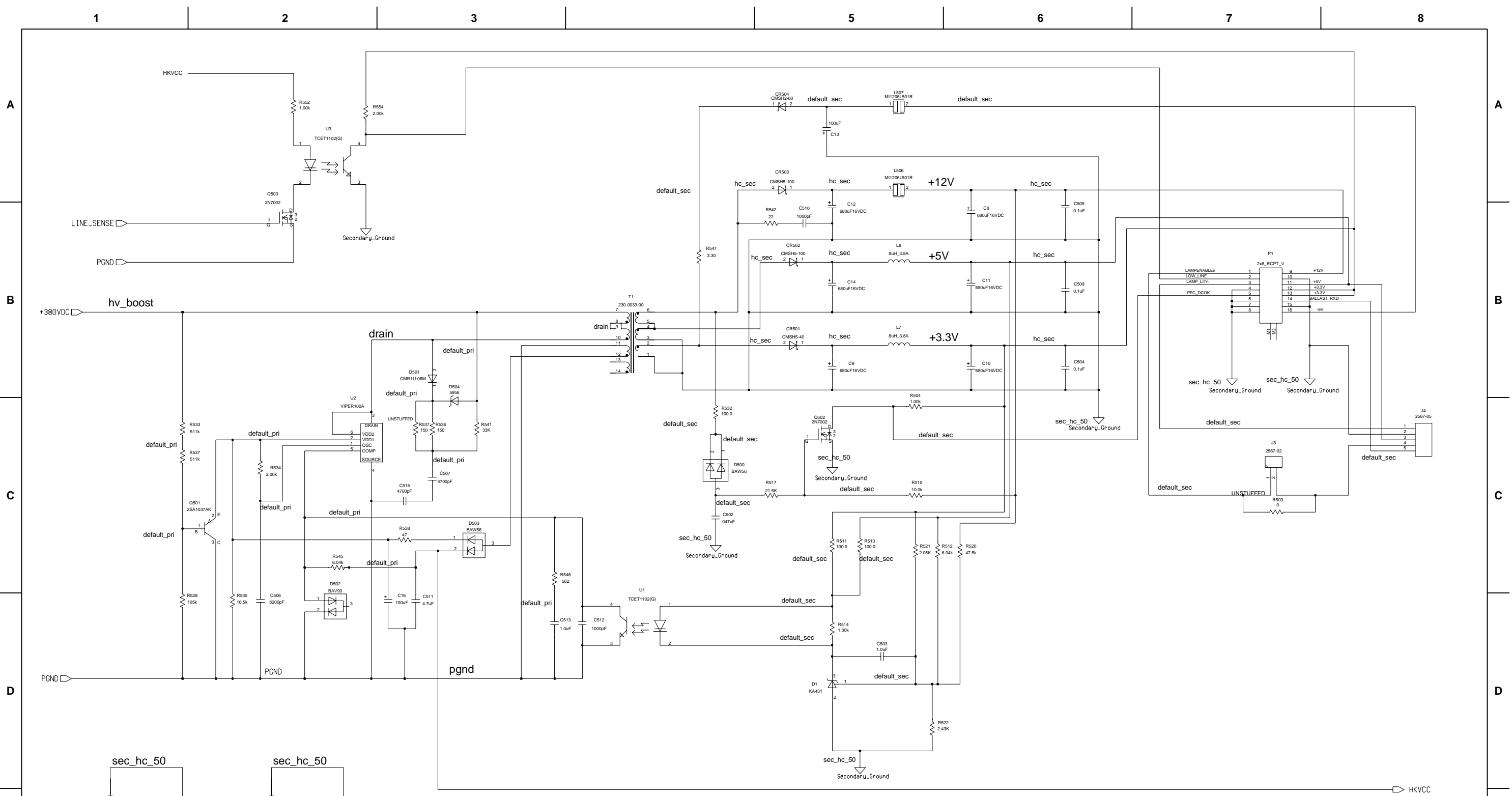
TITLE:
**RAVEN POWER SUPPLY
PFC**

1615-06-00

Drawing Number:
409-1615-06

REV:
00

SHEET 2 OF 3



InFocus
27700B SW Parkway Avenue
Wilsonville, OR 97070-9215

TITLE:
RAVEN POWER SUPPLY
DC_POWER
1615-06-00

APPROVALS	DATE
Engineer: MLABARE	
Drawn by: MLABARE	

Drawing Number: 409-1615-06 REV: 00

SHEET 3 OF 3

This confidential document is the proprietary property of In Focus Inc., and is not to be copied, used or distributed without prior permission of InFocus Inc.

Changed by: **mlabare** Date Changed: **Monday, July 29, 2002** Time: **2:02:52 pm**