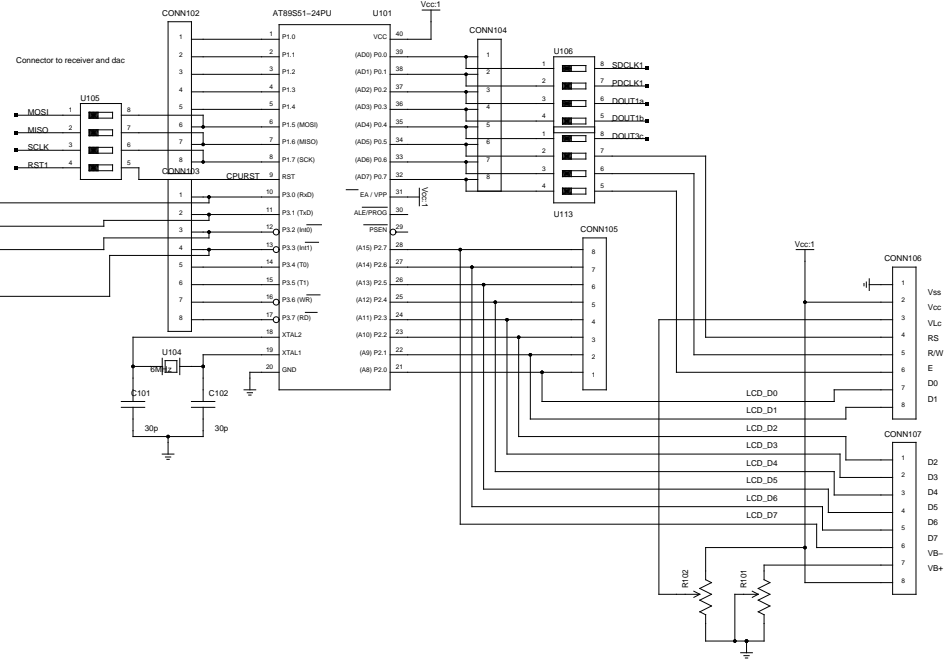
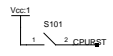
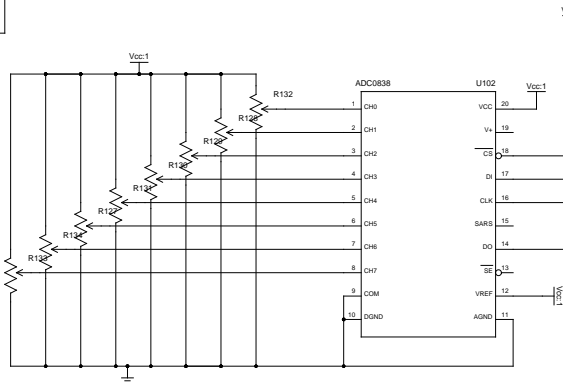
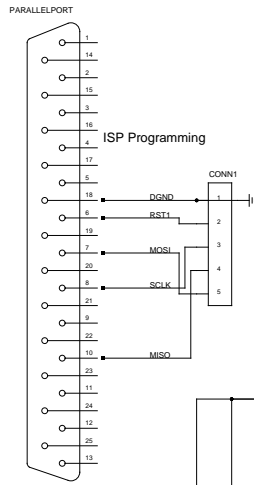
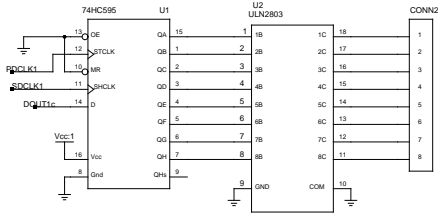


Relay board drivers



LCD connector