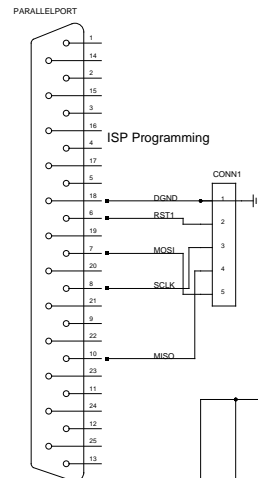
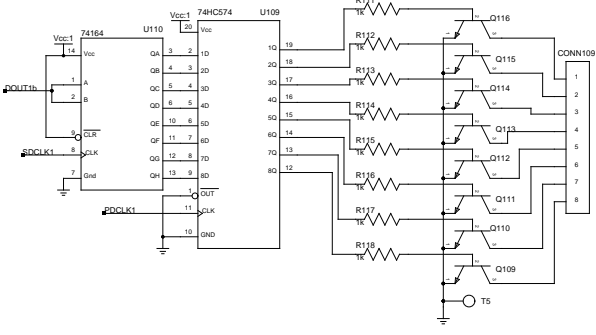
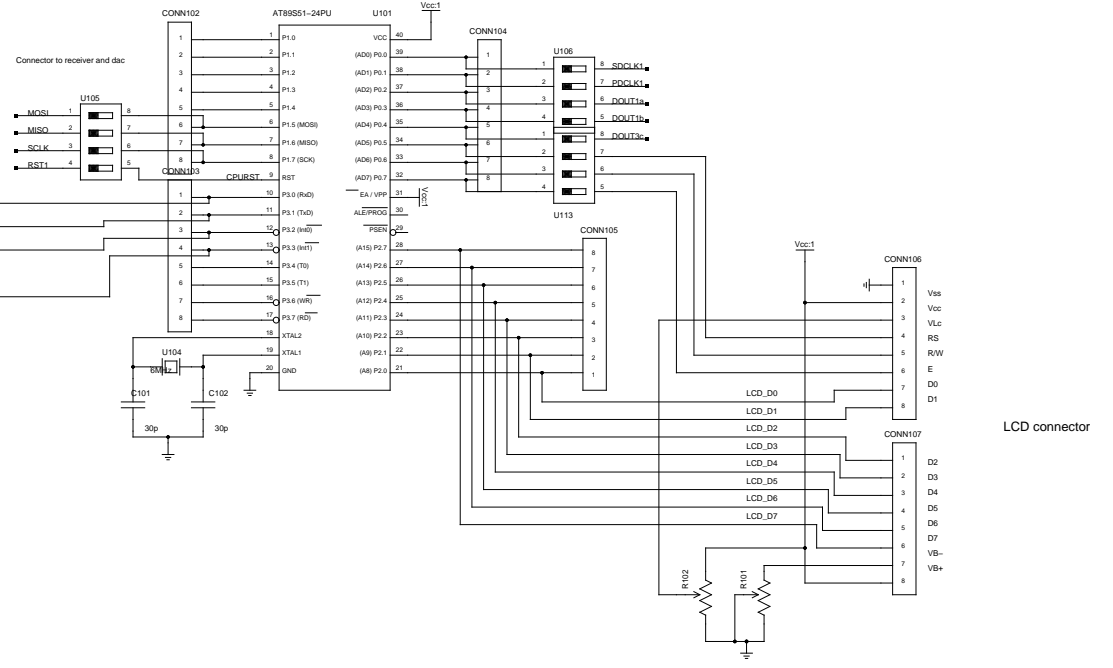
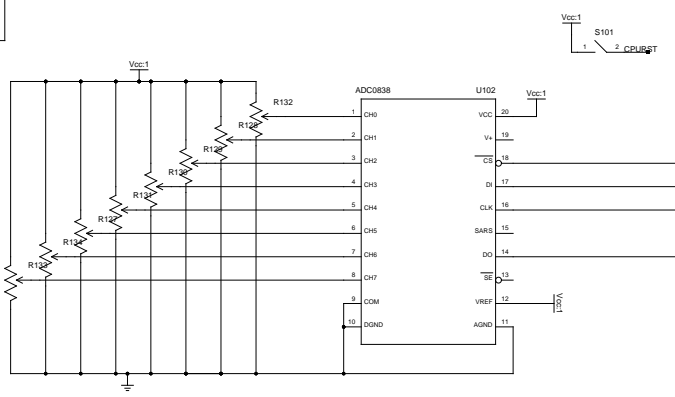


Relay board drivers



ISP Programming



LCD connector