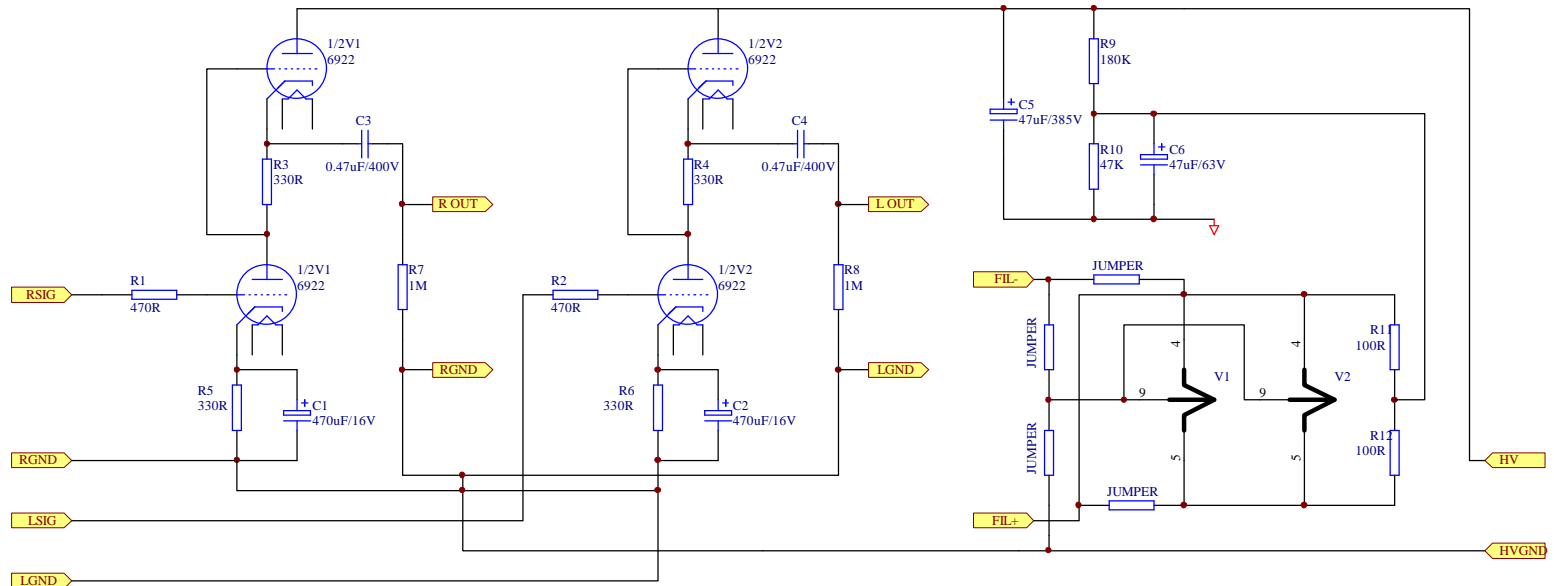


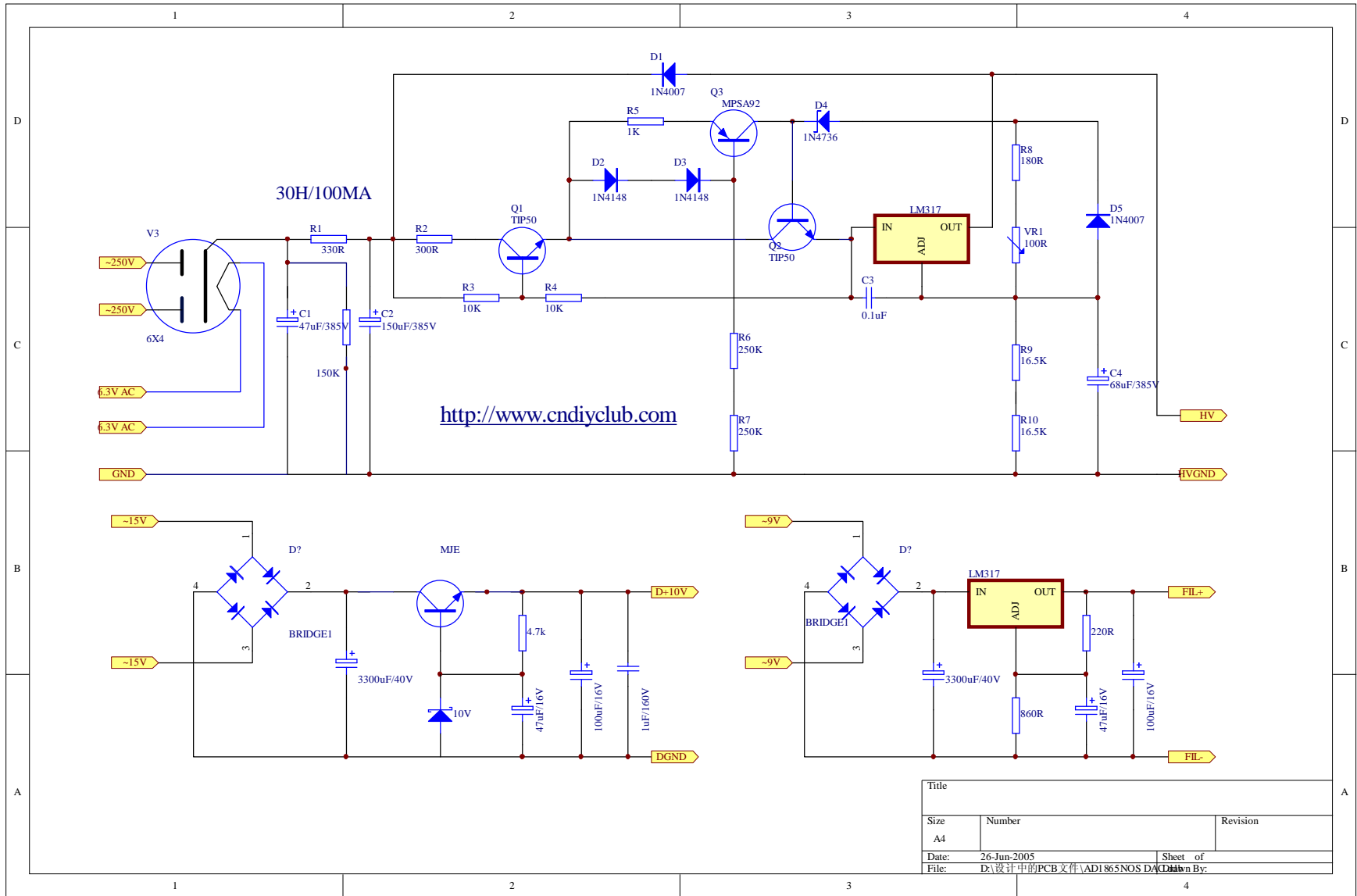
<http://www.cndiyclub.com/>

Title		
Size	Number	Revision
A4		
Date:	26-Jun-2005	Sheet of
File:	D:\设计中的PCB文件\ADI865NOS DA	
	Drawn By:	



<http://www.cndiyclub.com>

Title		
Size	Number	Revision
A4		
Date:	26-Jun-2005	Sheet of
File:	D:\设计中的PCB文件\AD1865NOS DA	
	Drawn By:	



Title		
Size	Number	Revision
A4		
Date:	26-Jun-2005	Sheet of
File:	D:\设计中的PCB文件\AD1865NOS DA	
Drawn By:		

