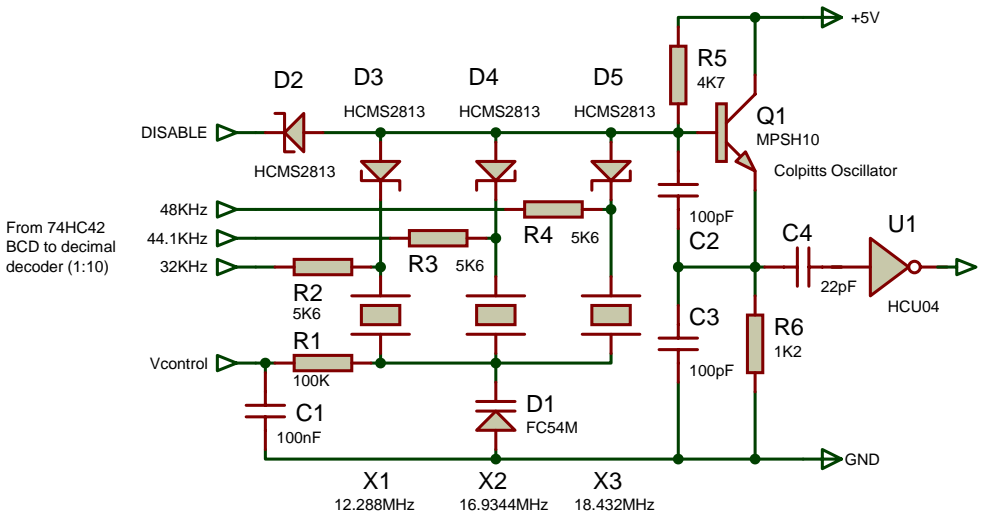


Fujitsu 18M432 D300



X1 to X3 Ceramic resonators - greater adjustment range than Standard Crystals