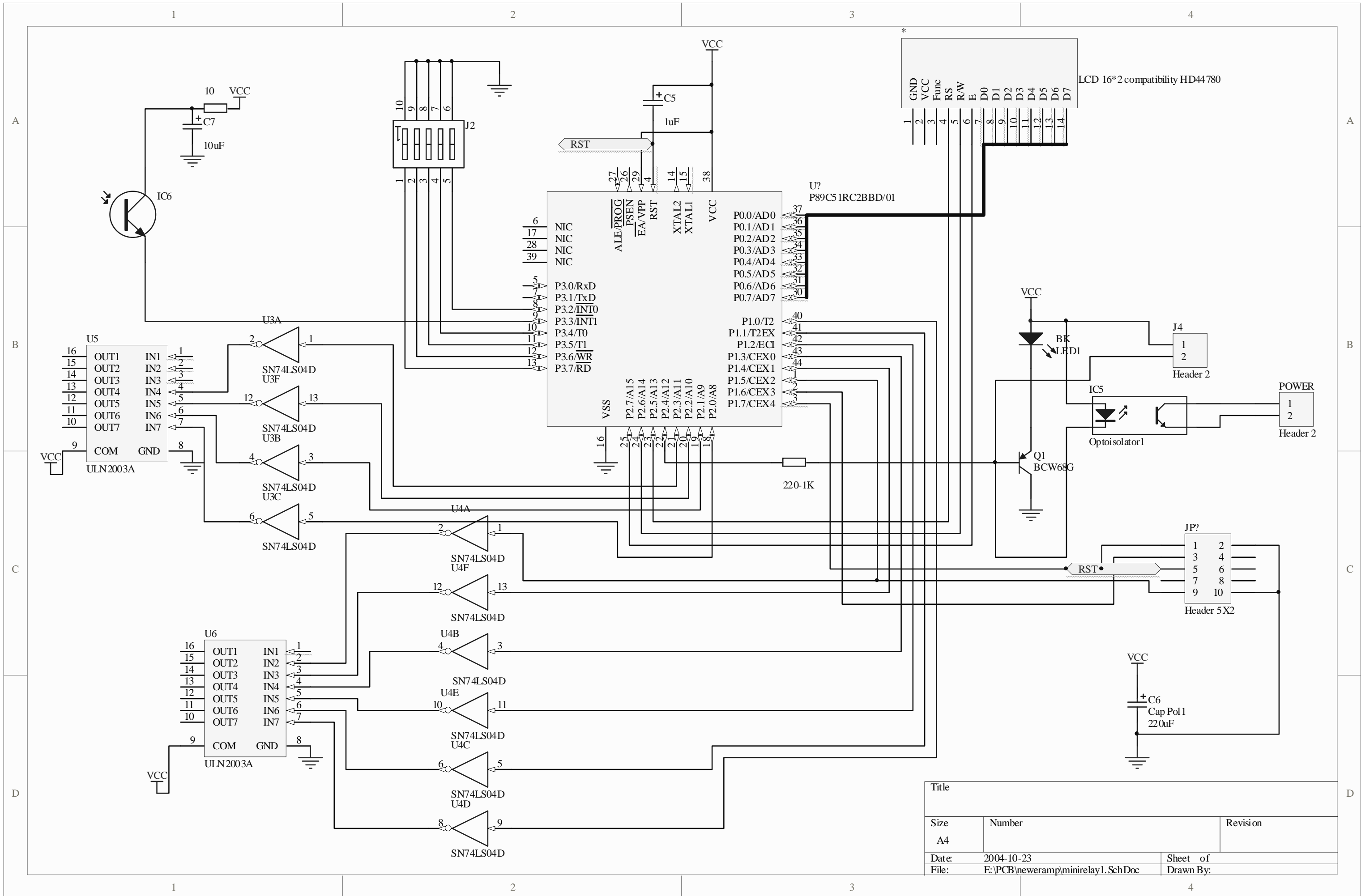


Title		
Size A4	Number	Revision
Date: 2004-10-23	Sheet of	
File: E:\PCB\neweramp\minirelay1-2.SchDoc	Drawn By:	



Title		
Size	Number	Revision
A4		
Date:	2004-10-23	Sheet of
File:	E:\PCB\neweramp\minirelay1.SchDoc	Drawn By: