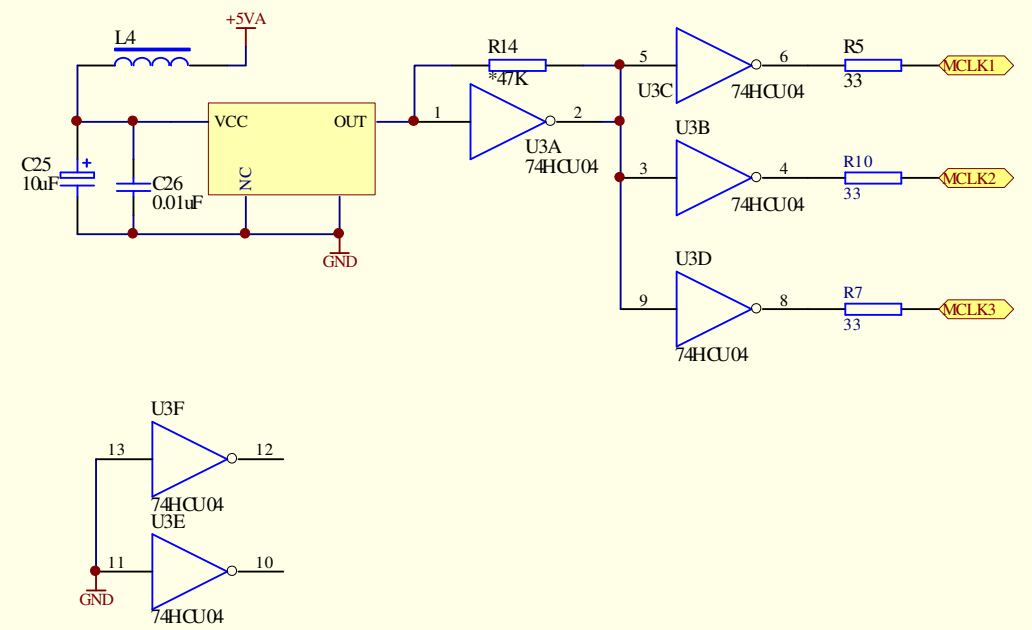
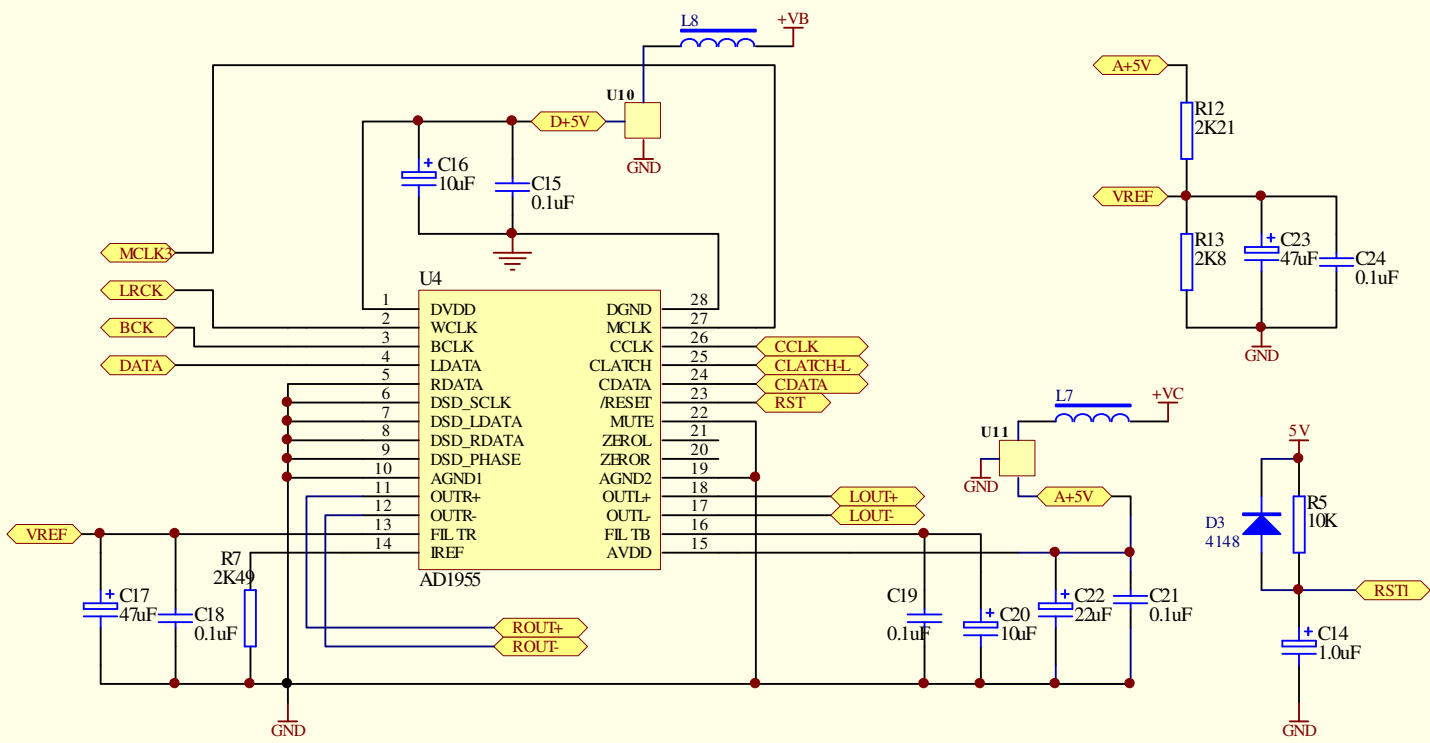


| MB | MA | Format |
|----|----|--------|
| 0  | 0  | mode   |
| 0  | 1  | 768fs  |
| 1  | 0  | 512fs  |
| 1  | 1  | 256fs  |

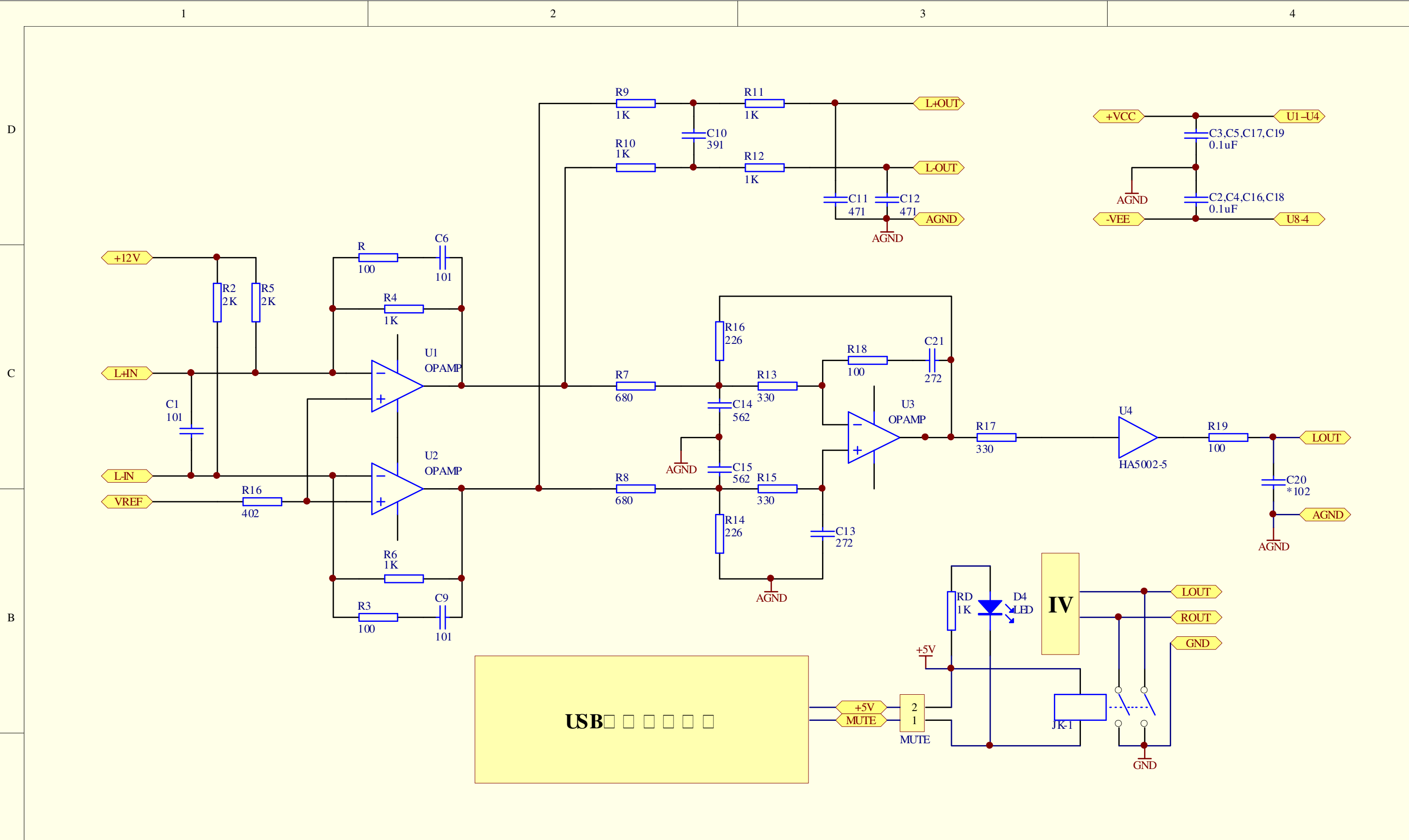
  

| SB | SA | Width |
|----|----|-------|
| 0  | 0  | 24Bit |
| 0  | 1  | 20Bit |
| 1  | 0  | 18Bit |
| 1  | 1  | 16Bit |



## DAC PRO 1.0SP D/A SCH

|       |                        |              |
|-------|------------------------|--------------|
| Title |                        |              |
| Size  | Number                 | Revision     |
| A3    |                        |              |
| Date: | 22-Jun-2009            | Sheet of     |
| File: | EA\PCB\dae\1955-10.dwg | Sheet 6 of 6 |



# DACPRO1.0S I/V SCH2

|       |   |          |
|-------|---|----------|
| Title |   |          |
| Size  | Number                                  | Revision |
| A4    |   |          |
| Date: | 22-Jun-2009                             | Sheet of |
| File: | E:\PCB\dac1955-10\d95510sp\d95510sp.Ddb | 1 of 5   |

