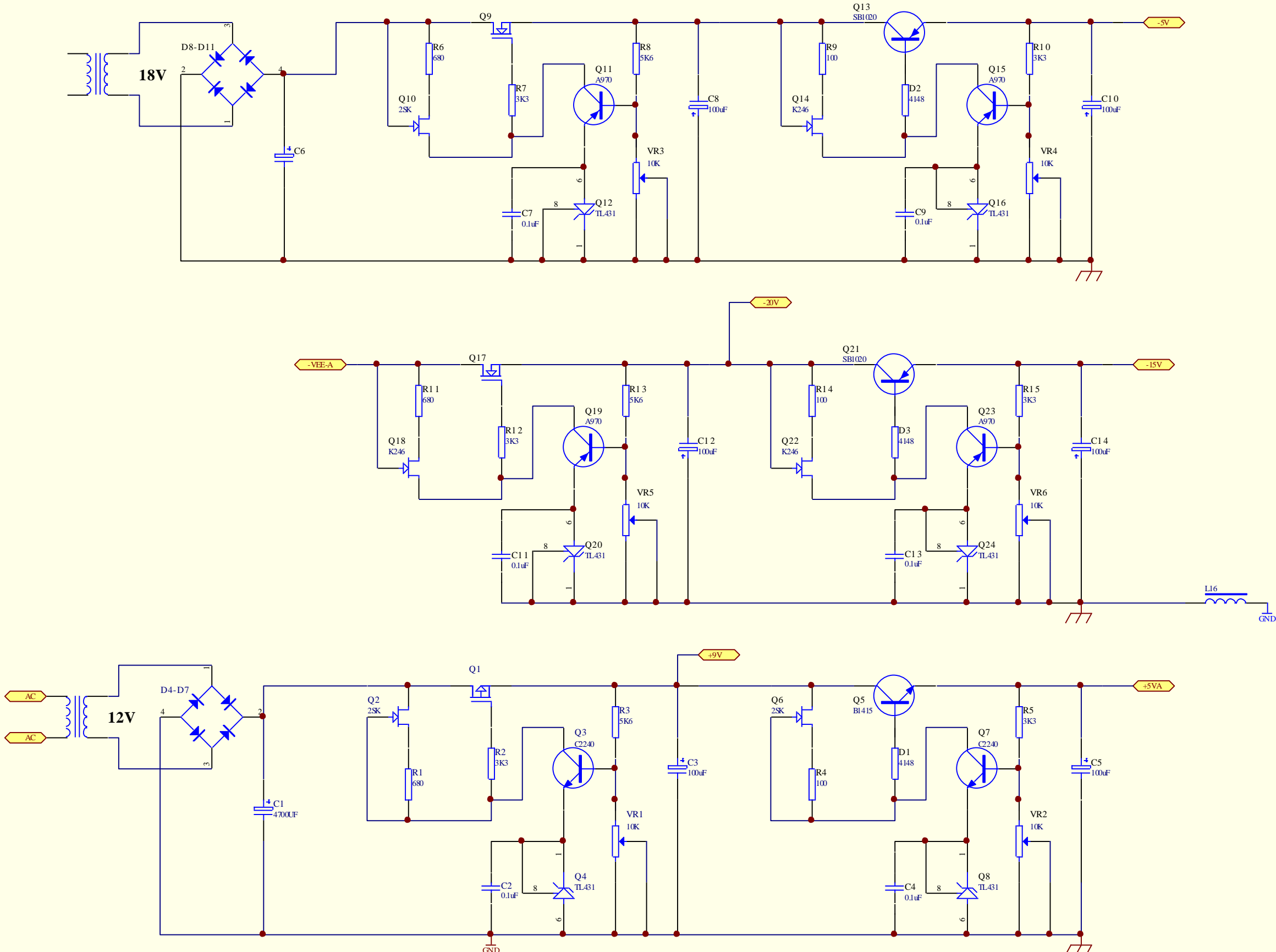
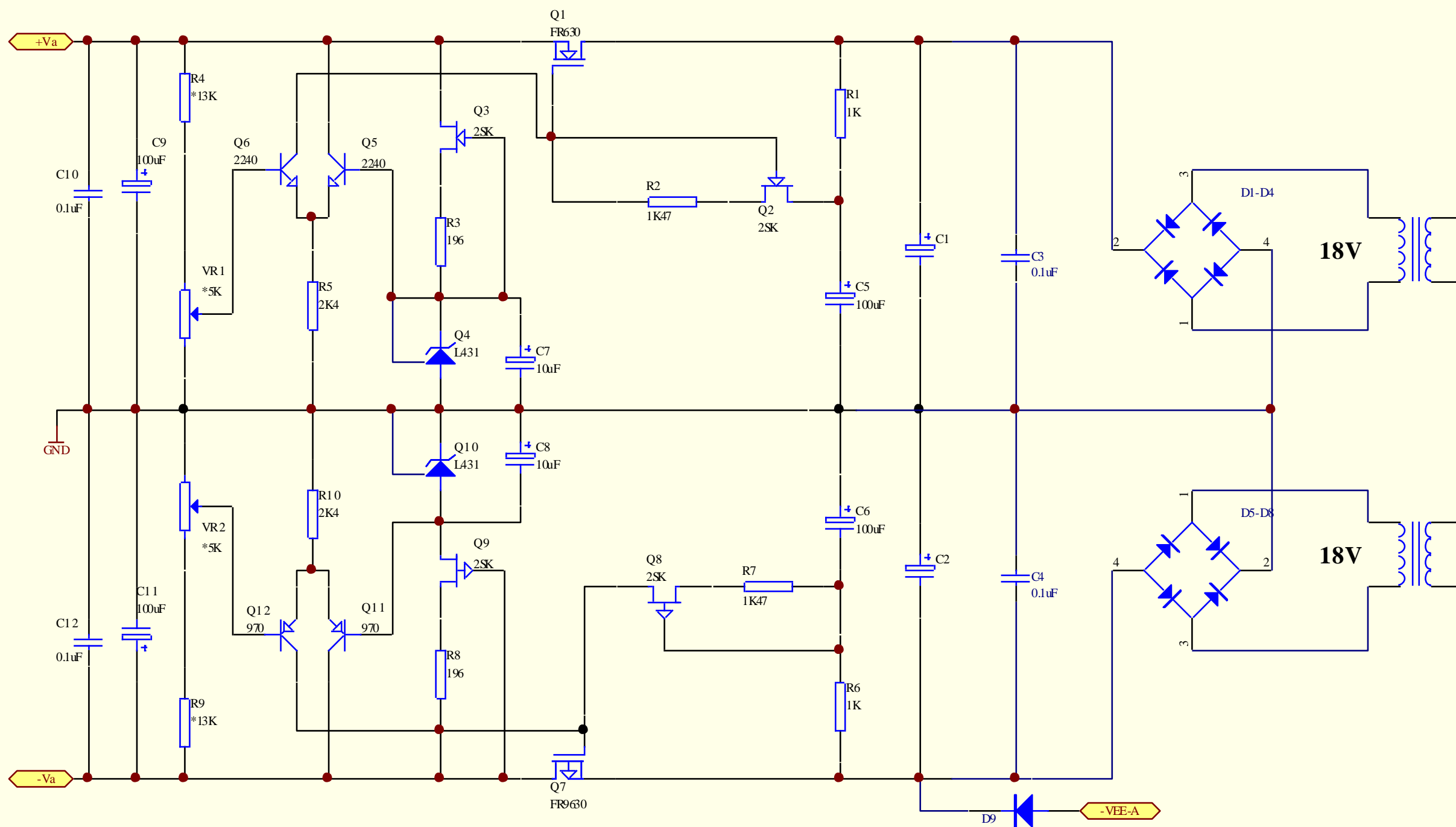


Title		
Size	Number	Revision
A3		
Date:	23-Apr-2011	Sheet of
File:	E:\产品资料库\TDA\TDA1541-2.0C\TDA1541-2.0C.DOC	



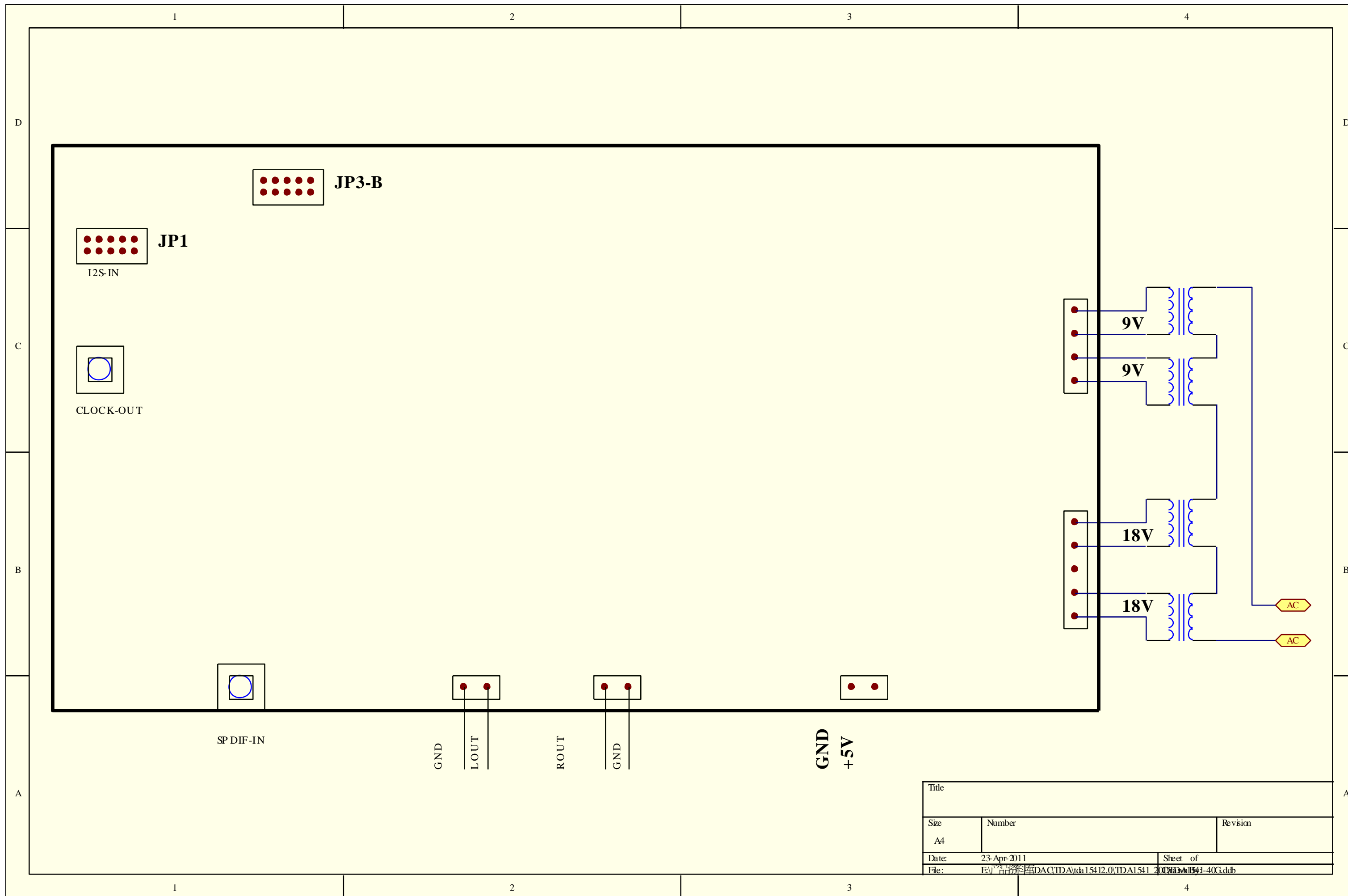
DC-1 SCH

Title		
Size	Number	Revision
A3		
Date:	23-Apr-2011	Sheet of
File:	E:\产品资料\EDA\TDA15412.0\TDA1541	300HW1541-40G.dcb



DC-2 SCH

Title		
Size	Number	Revision
A4		
Date:	23-Apr-2011	Sheet of
File:	E:\projects\DAC\TDA1541\20110415\TDA1541-40G.dcb	



Title		
Size	Number	Revision
A4		
Date:	23-Apr-2011	Sheet of
File:	E:\产品\DAC\TDA15412.0\TDA1541_20110415\4-40G.db	