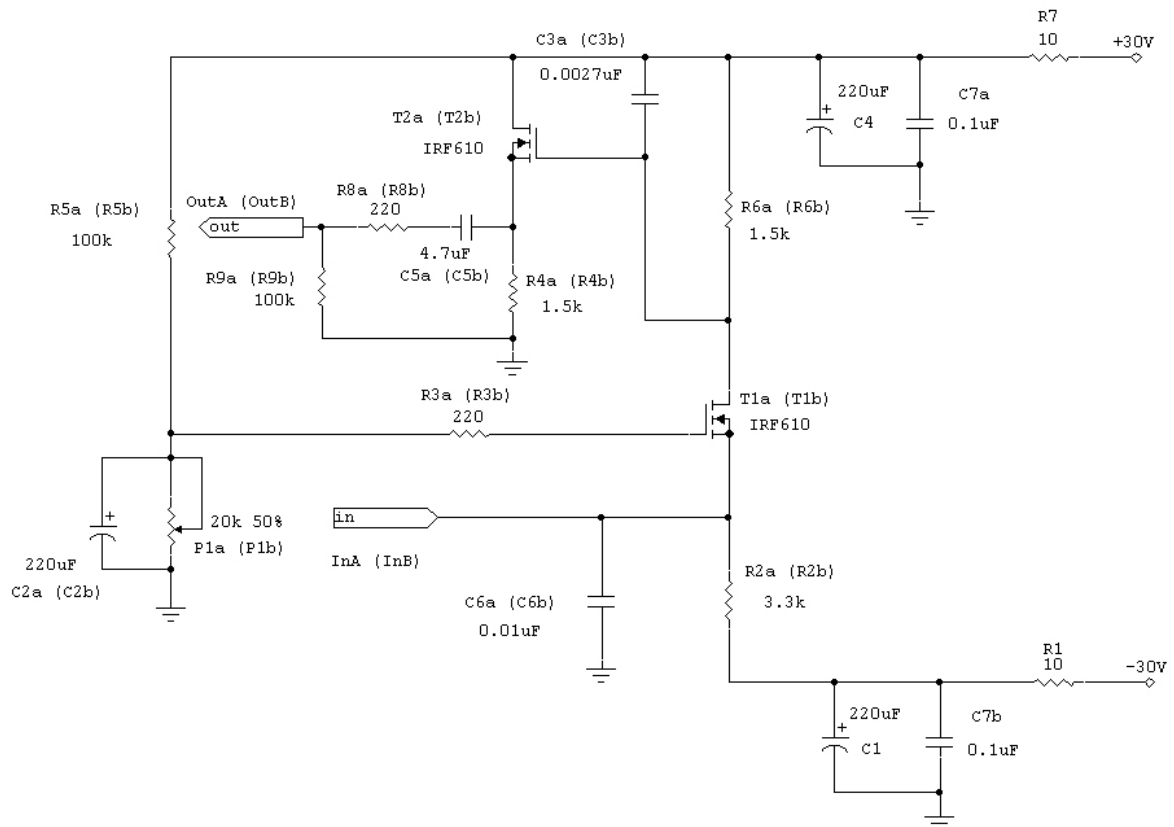


D1 I/V Out Parts List



R1, R7	10R
R2a, R2b	3K3
R3a, R3b, R8a, R8b	220R
R4a, R4b, R6a, R6b	1K5
R5a, R5b, R9a, R9b	100K
P1a, P1b	20K vertical multiturn trimmer
C1, C4	220uF/50V Panasonic FC
C2a, C2b	220uF/16V Panasonic FC
C3a, C3b	2700 pF silvered MICA
C5a, C5b	10uF, MCap Mundorf (in the schematic you will see 4,7uF you can also use this but in the new Version I made the PCBs larger to accept 10uF)
C6a, C6b	10nF MKP WIMA
C7a, C7b	100nF MKP WIMA
T1, T2	IRF610

Only to be connected to DAC ICs that give a current output (PCM1704, PCM56 etc.). These need a DC voltage of 0V so **be carefull not to connect the I/V stage till it is set to 0Vdc at the input**. Just connect the power after checking all components and turn the trimmer P1 till there is 0V on both inputs. You should let the circuit get warm first.