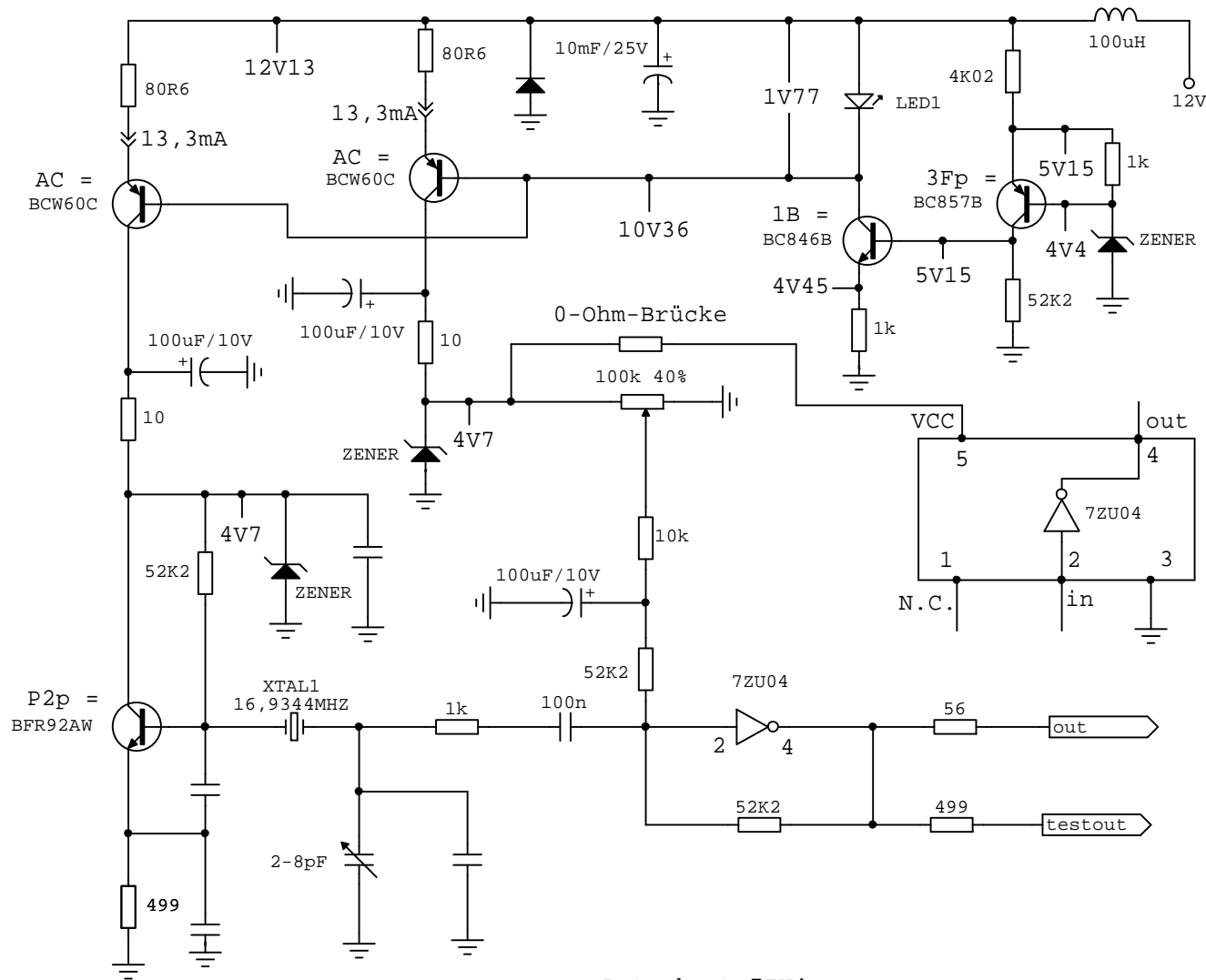


LC-Clock X0



BC857B = BC557B  
 BC846B = BC556B  
 BCW60C = BC560C  
 BFR92AW = BFR90A

voltage measured to ground

Datasheet 7ZU4:  
[www.fairchildsemi.com/ds/NC/NC7SZU04.pdf](http://www.fairchildsemi.com/ds/NC/NC7SZU04.pdf)

Datasheet BFR92:  
<http://www.semiconductors.philips.com/cg-i-bin/pldb/pip/BFR92.html>