

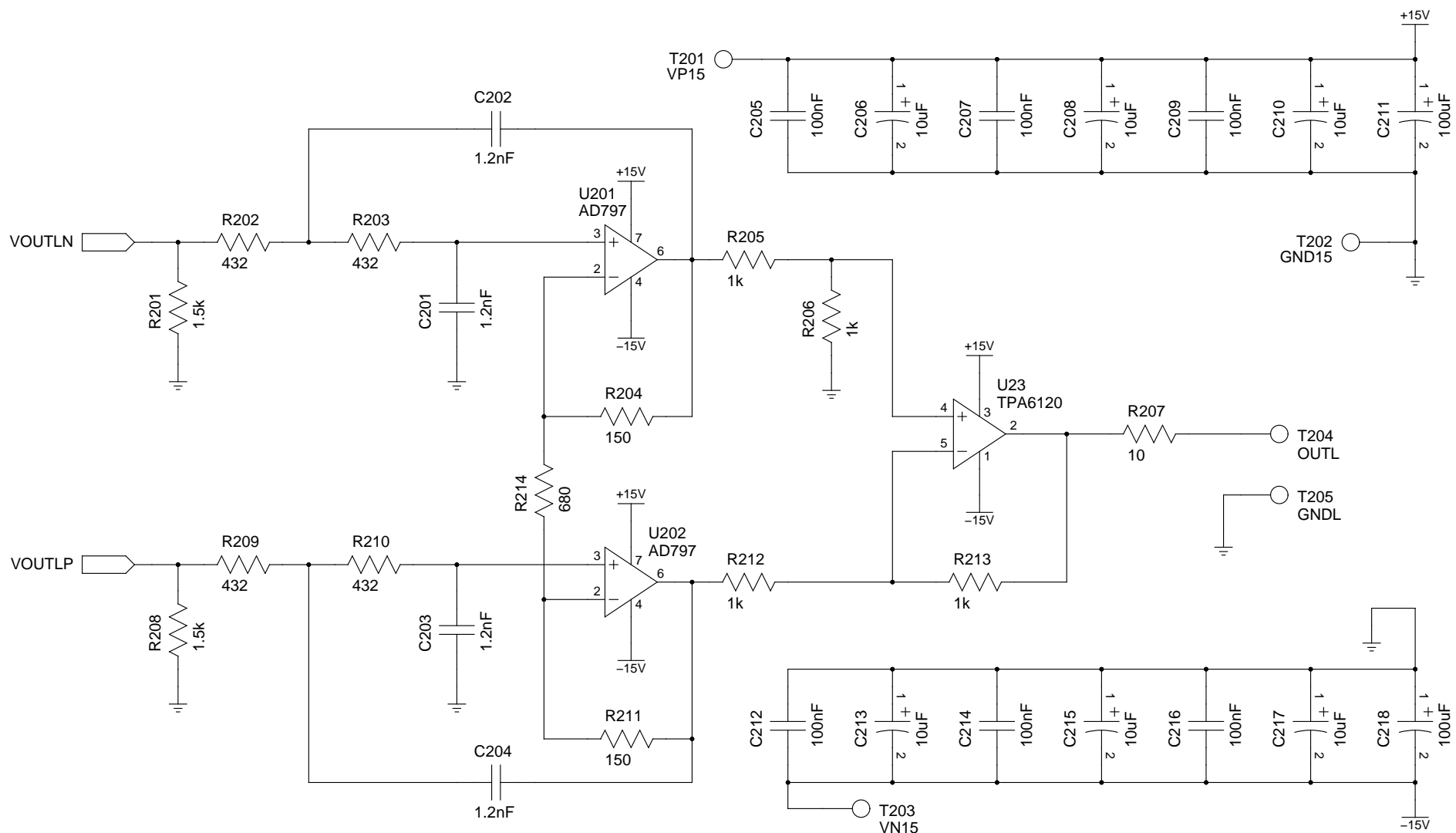
TITLE **USBDBv1: Digital-to-Analog Converter**

FILE: 01-dac.sch

REVISION:

PAGE 1 OF 3

DRAWN BY: Bradley Worley



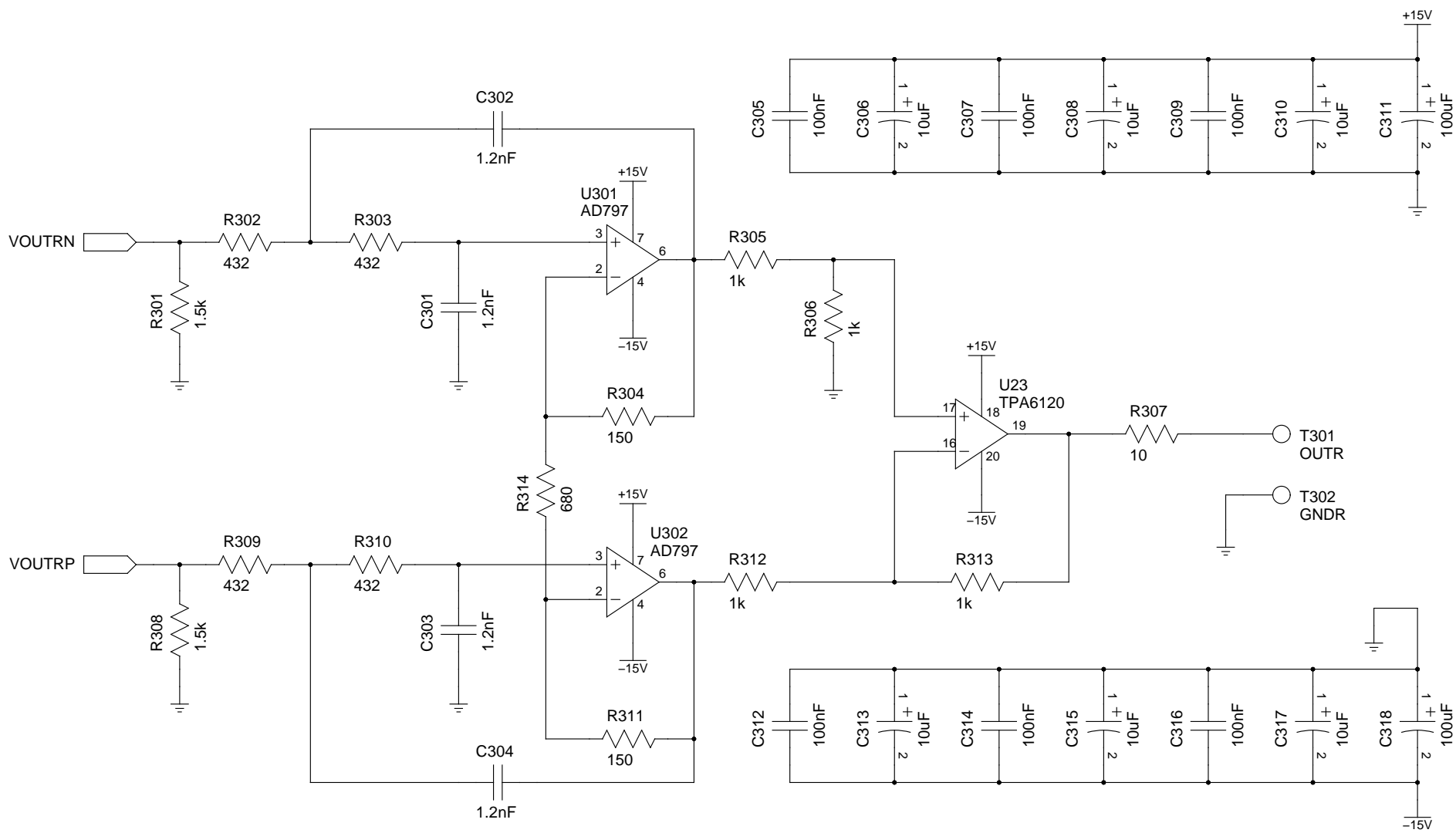
TITLE **USBDBv1: Left-channel Output Stage**

FILE: 02-chanleft.sch

REVISION:

PAGE 2 of 3

DRAWN BY: Bradley Worley



TITLE USBDBv1: Right-channel Output Stage		
FILE: 03- chanright .sch	REVISION:	
PAGE 3	OF 3	DRAWN BY: Bradley Worley