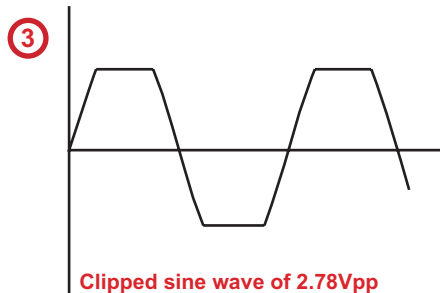
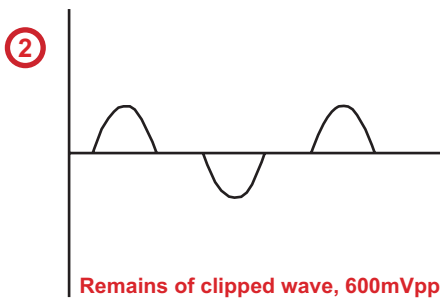
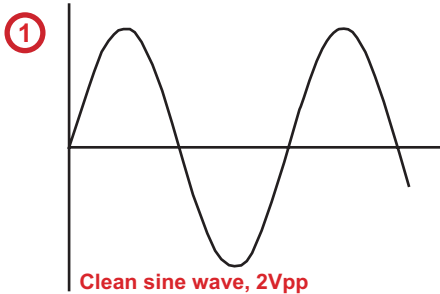
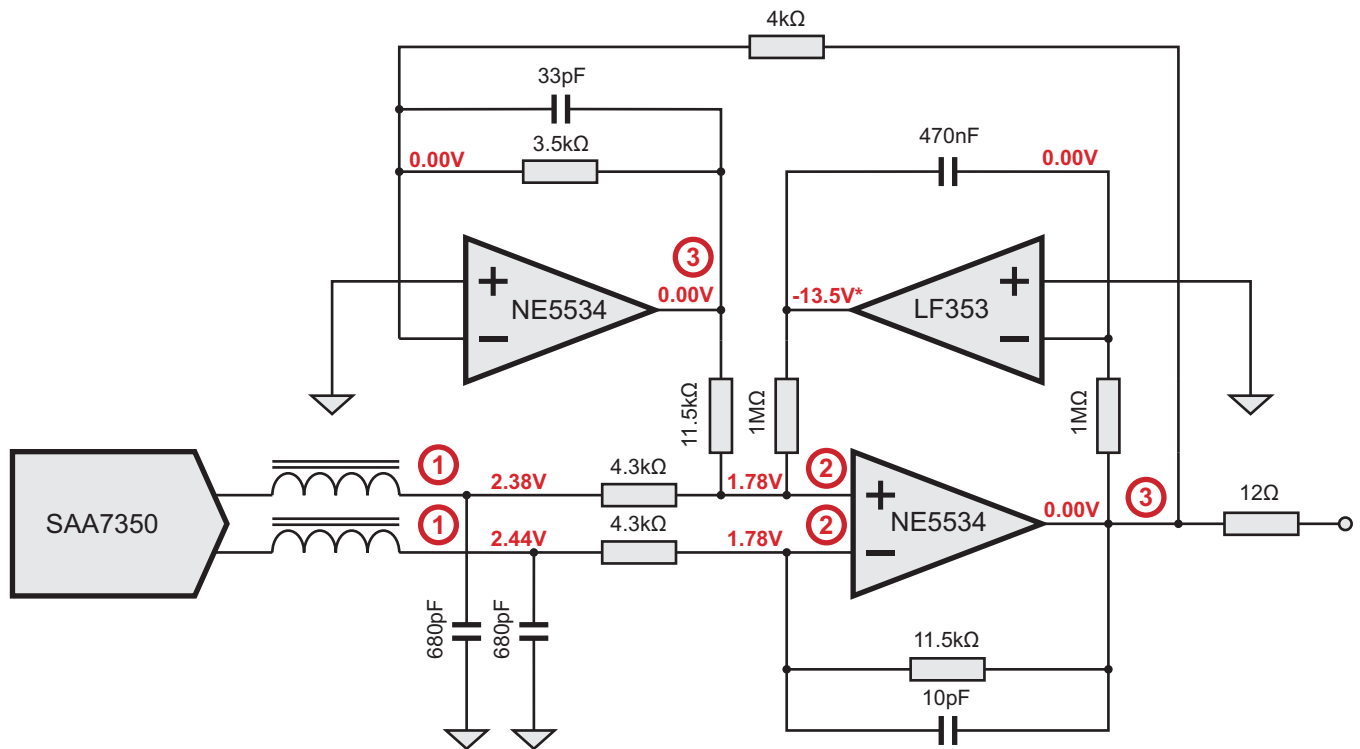


Meridian 606 DAC



Hi Guys,

This DAC has a problem with the output stage where the output is clipped at any level higher than -6dB. This problem exists on both channels. It is not due to the power supplies, which are clean and of a reasonable voltage (+/- 15V).

I have noted the DC voltage at each node during playback of a 0dB sine wave. Note that the node at the output of the LF353 falls to -13.5V at idle, then climbs toward 0V during playback, but never quite reaches 0V.

I have shown the waveform present on each node. Nodes without a waveform have only DC present.

Any suggestions are welcome, please reply to my thread in the 'digital source' forum, or PM me.

Thanks,
Anton
(amc184)