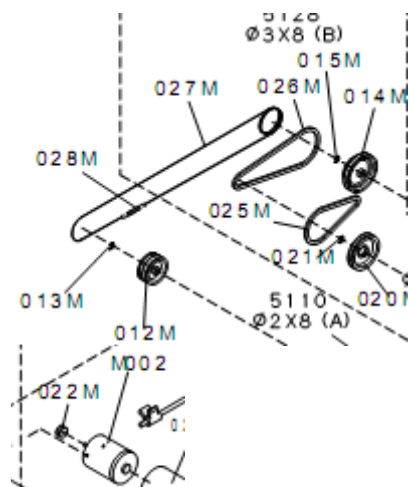


Belt 051M from pulley 049M on motor M003 to pulley 047M
 (= pulley, clamperdrive 167K262020)

Belt with the shortest life time

Belt 052M from 047M (= pulley, clamperdrive 167K262020) to 045M
 (CAM, clamperdrive 167K054010)



Belt 025M from Pulley 021M on Motor M002 to

Tray Drive Pulley 020M

Belt 026M from Tray Drive Pulley 020M to Wire Wheel Pulley 014M