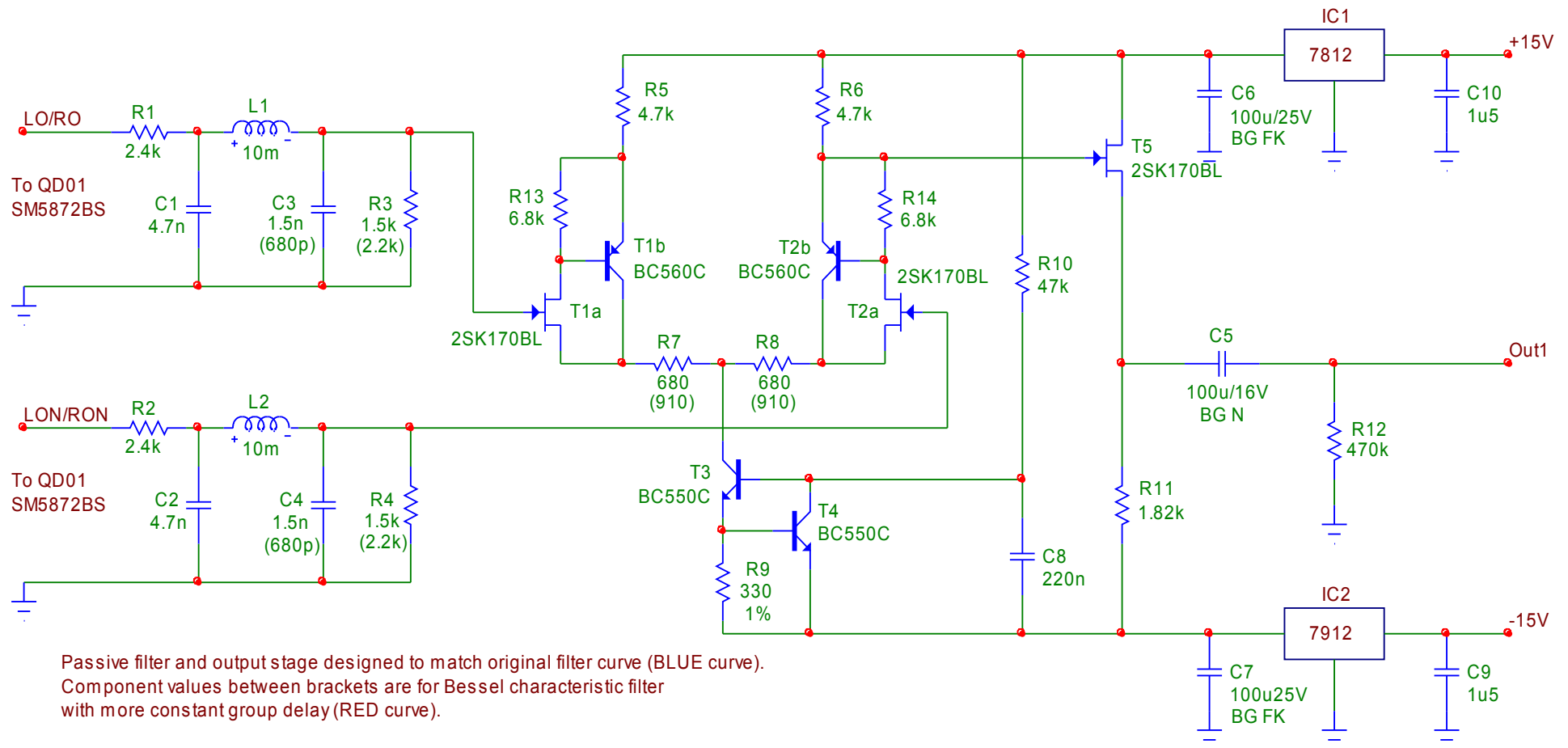


CD53/57/63/67 Discrete Output Stage with Complementary Feedback Pair (CFP) (single channel, two sections needed for stereo)



Passive filter and output stage designed to match original filter curve (BLUE curve).
Component values between brackets are for Bessel characteristic filter
with more constant group delay (RED curve).