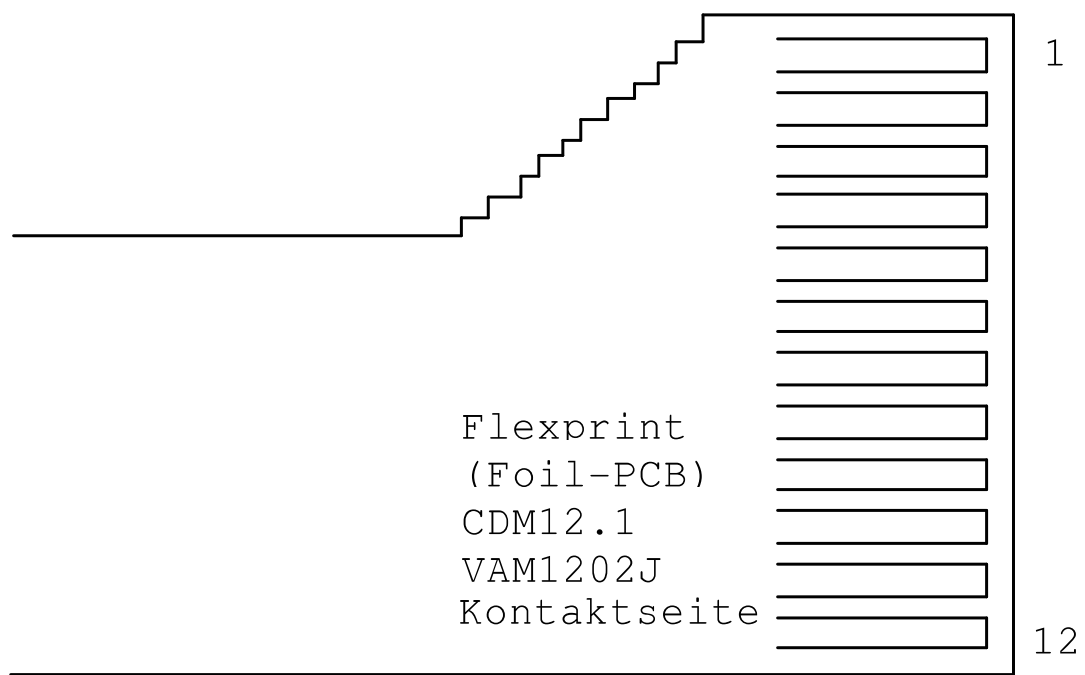
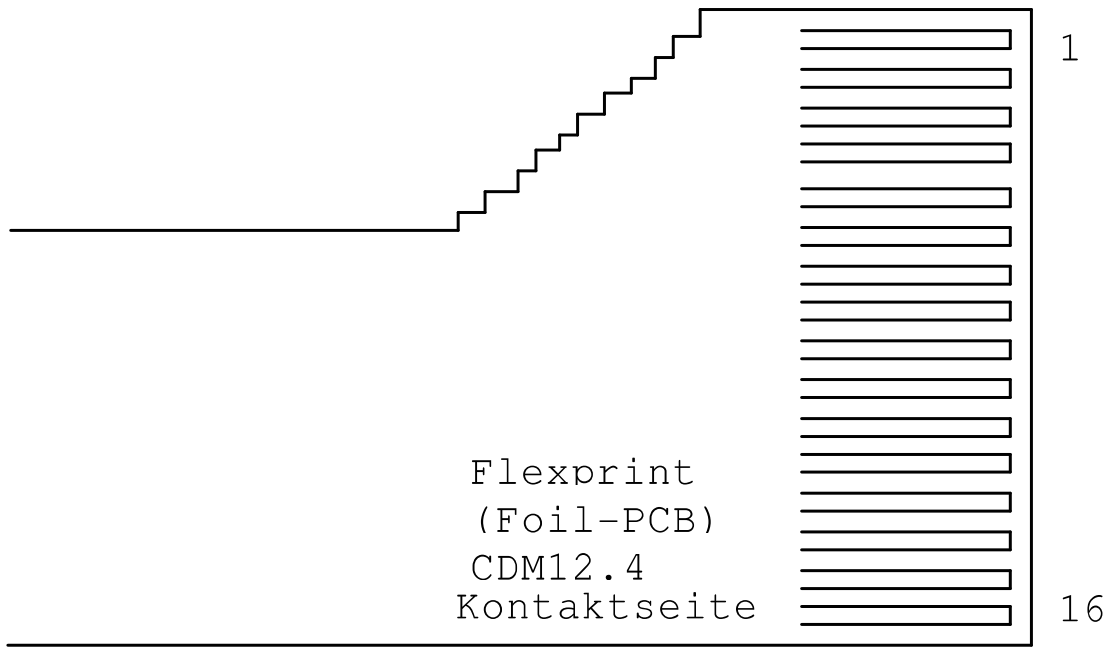
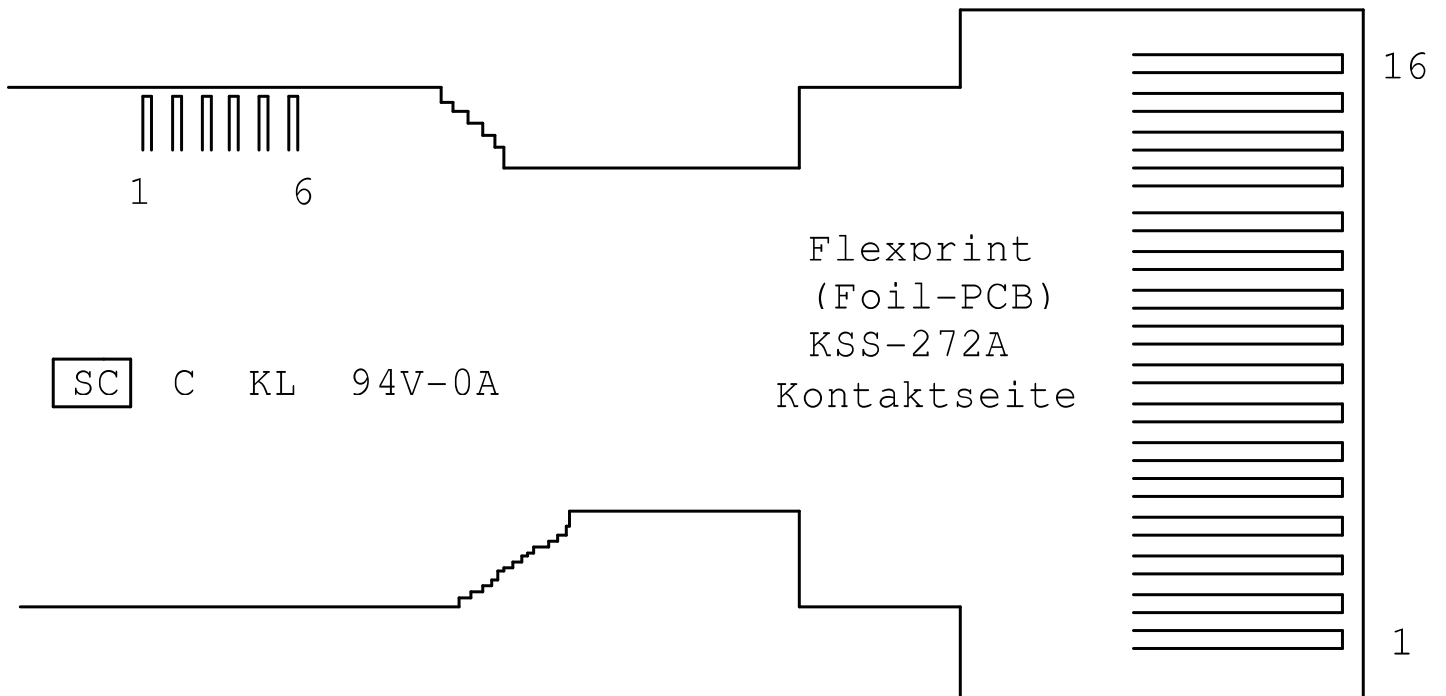


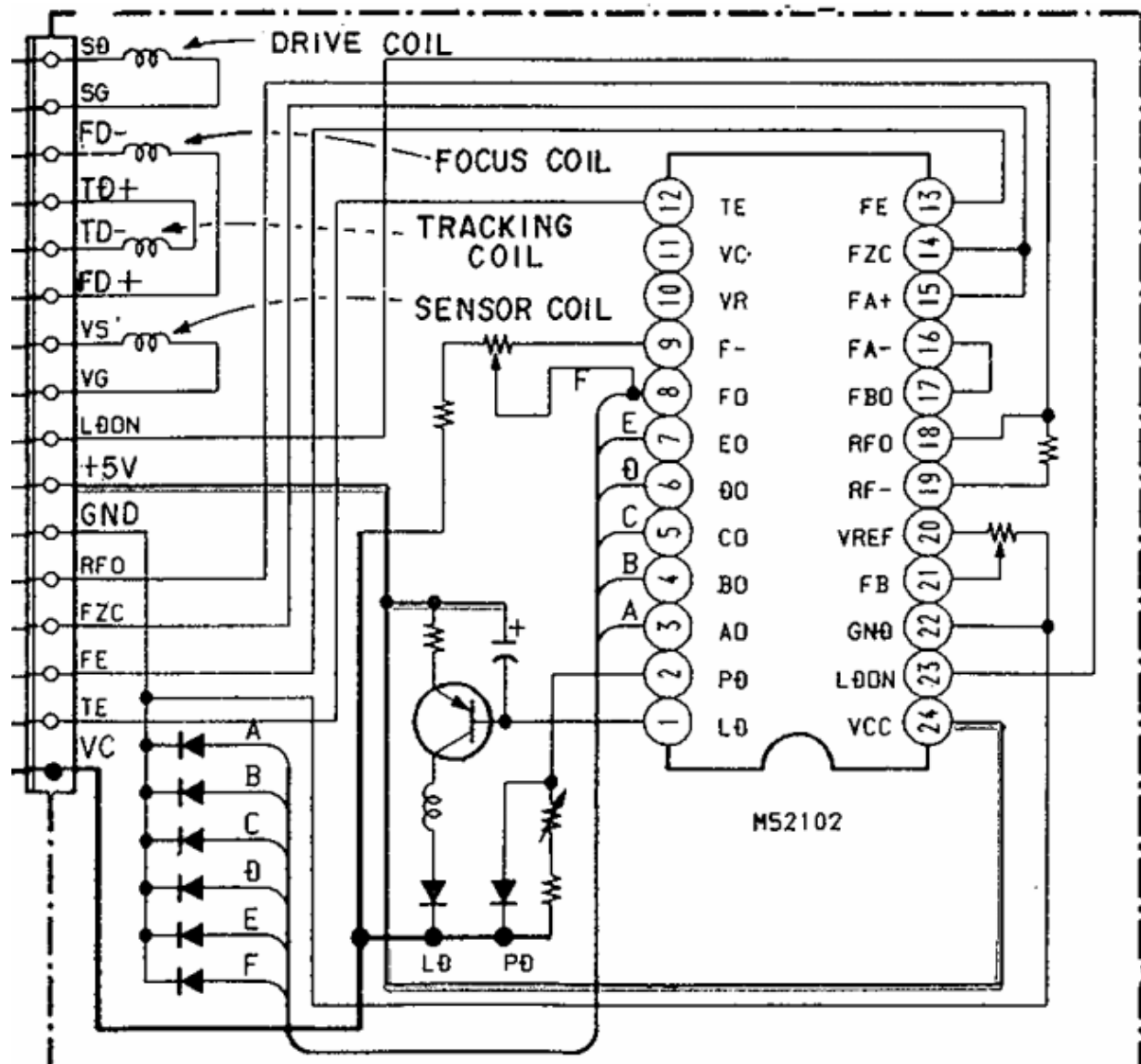
KSS272A

FZC = FOCUS ZERO-CROSS COMPARATOR  
 APC = automatic power control  
 RF = Radio Frequency  
 VC = VCC/2 (GND by dual power supply)  
 FB = Focus Balance  
 TB = Tracking Balance  
 OPIC = Optical IC = PDIC + RF-Amplifier for CD  
 e. g. PIC6710 + CXA1081

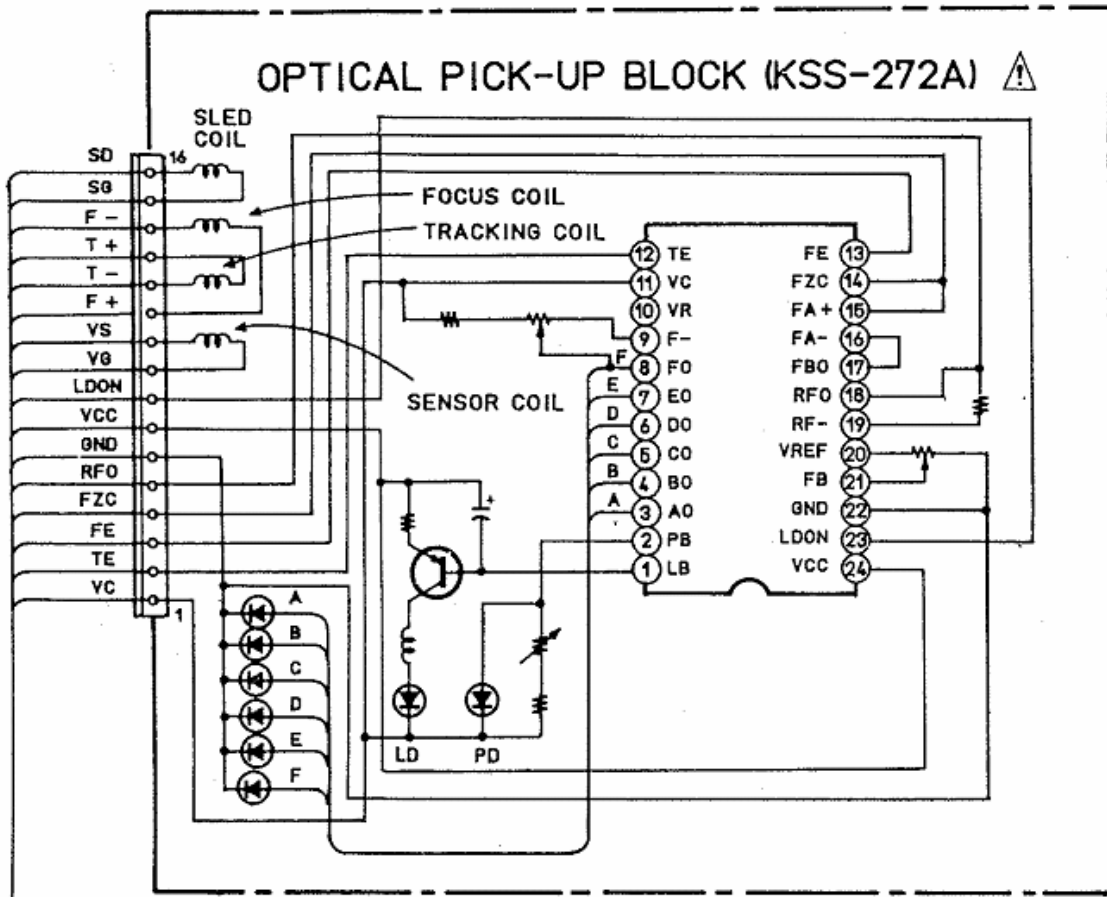


[www.tiefbassuebertragung.de](http://www.tiefbassuebertragung.de)





KSS-272A im Sony CDP-X559ES



KSS-272A im Sony CDP-X505ES