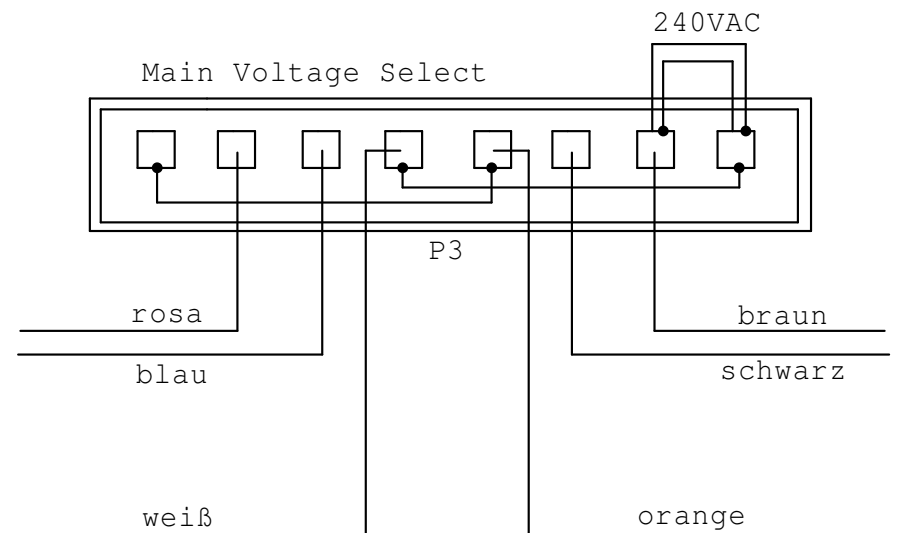
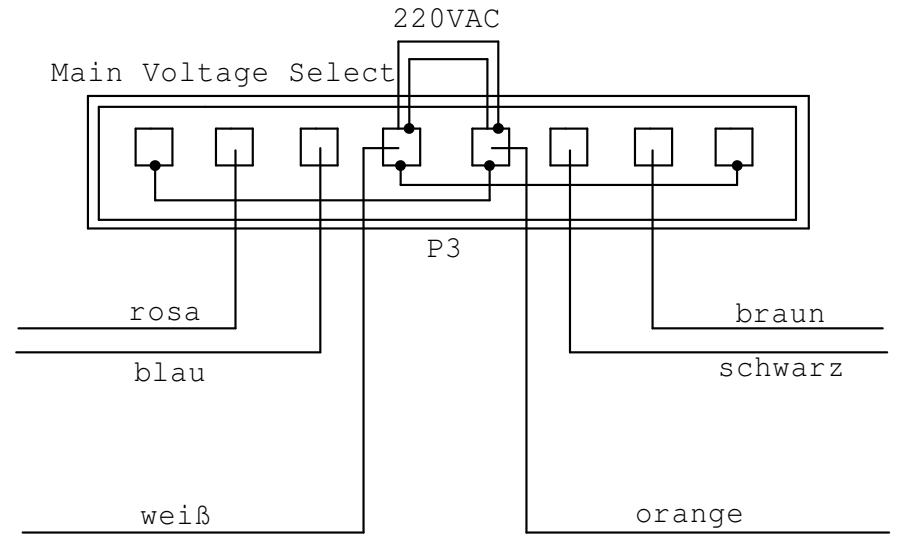
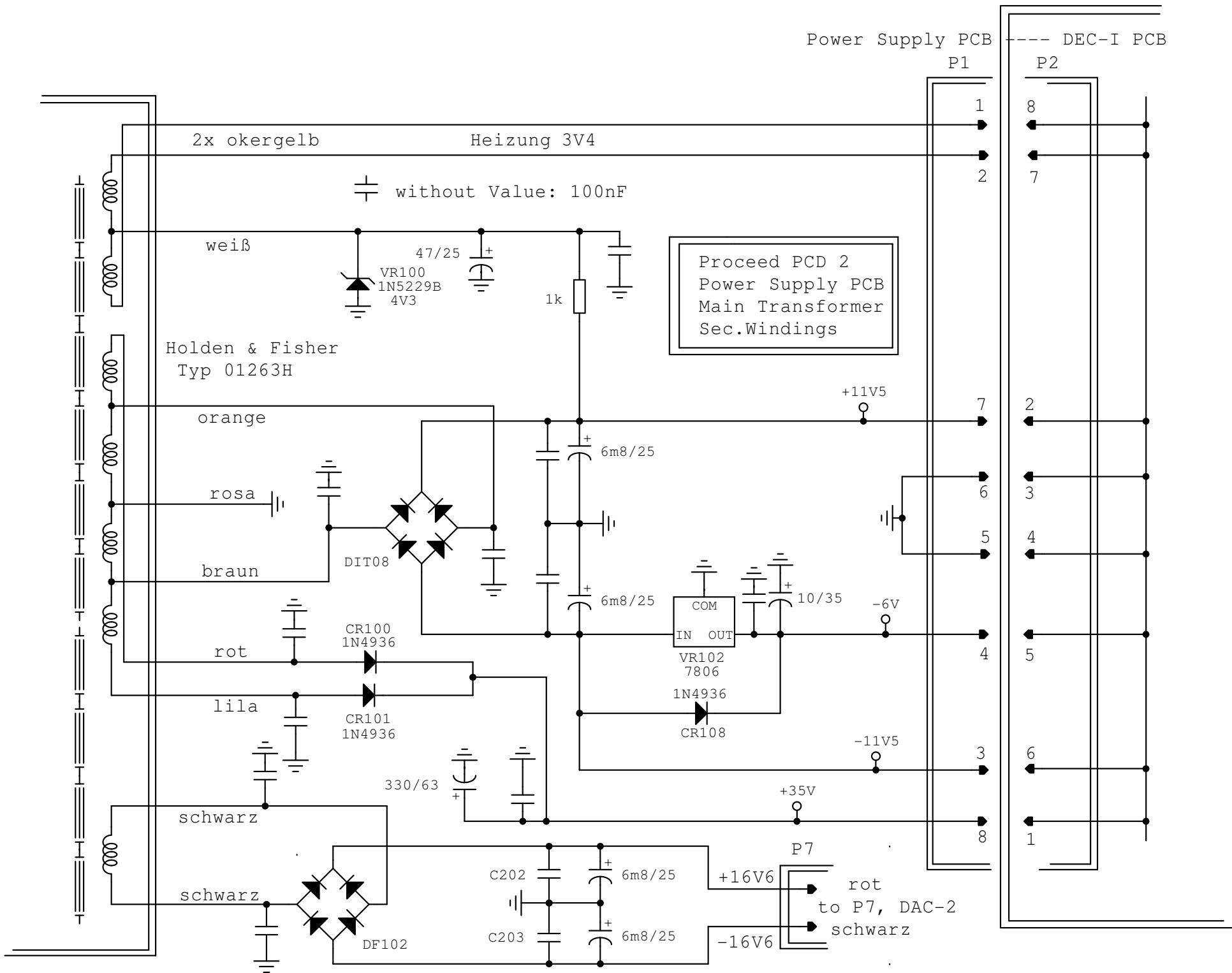


Proceed PCD 2
 Power Supply PCB
 Main Transformer
 Voltage Select





Power Supply PCB

P1

Heizung

--- DEC-I PCB

P2

2, P3 Sub-PCB

Heizung 3V4

15, P3 Sub-PCB

16, P3 Sub-PCB

Proceed PCD 2
Decoder DEC-I PCB
Voltage Regulators

1, P4

Servo-PCB CDM1MKII

Sub-PCB

5+12, P3

2, P1 (DAC braun)

2, P4

5V +V

40, SAA7210P

24, SAA7220P

9, MN4164P-15

1N4936
CR004

+11V5

VR002
78S05

16, UDN2993B

1

3R92

5V +V

499

CR200

IN OUT
COM

+

+

+

47/25

47/25

47/25

150K

1/50

30K1

CR400

+

+

+

+

+

+

+

+

+

+

+

+

+

+

+

+

+

+

+

+

+

+

+

+

+

+

+

23, SAA7210P

17, SAA7210P

6, P4

-6V

4, P4

Servo-PCB CDM1MKII

-11V5

5, P4

19, SAA7210P 9, SAA7220P

28, MAB8441 T164+

17, MAB8441 T164

2u2/100

18, MAB8441 T164

19, MAB8441 T164

22K1

22K1

Power Supply PCB

P1

--- DEC-I PCB

P2

30V +V

3, P3 Sub-PCB

+35V

VR001
78L15

IN OUT
COM

1N4936
CR001

+

+

+

+

+

+

+

+

+

+

+

10/100

10/100

10/100

10/100

10/100

10/100

10/100

VR004

1N5245B

15V

without Value: 100nF