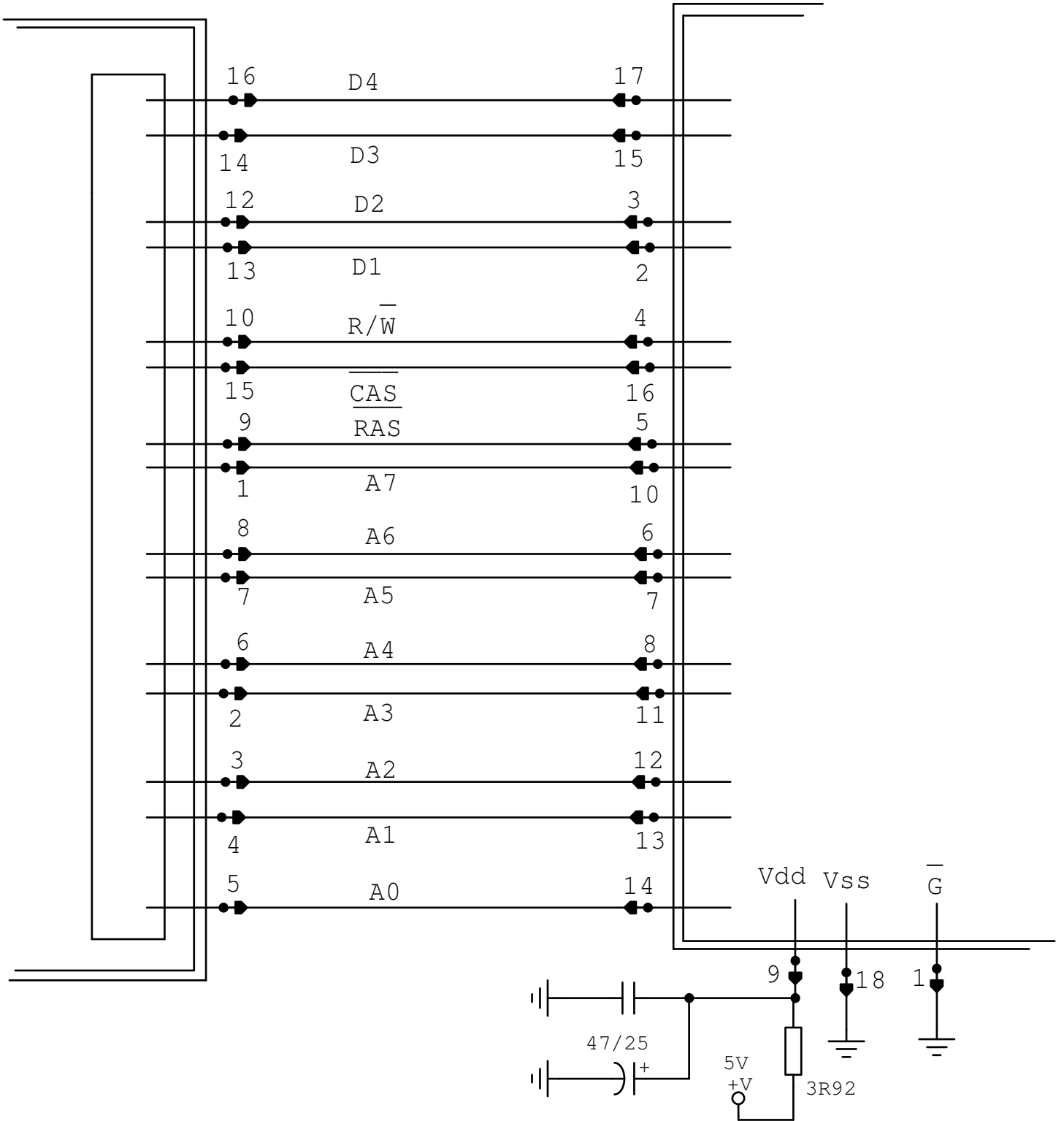


Proceed PCD-2
 Decoder-PCB DEC-I
 SAA7210 Inputs

SAA7210P

MN4164P-15
DRAM



Proceed PCD-2
Decoder-PCB DEC-I
SAA7210 FiFo