

Eurocircuits standard 4 layers stackup:  
 75 Ohm 0.265mm  
 50 Ohm 0.635mm

ing. Isidoro Orabona		
ClearPath		
SIZE	DWG NO	REV
A3		0
DRAWN BY	SHEET	of
Isidoro Orabona	1	5
04/05/2017:22:33		

6

5

4

3

2

1

D

D

C

C

B

B

A

A



6

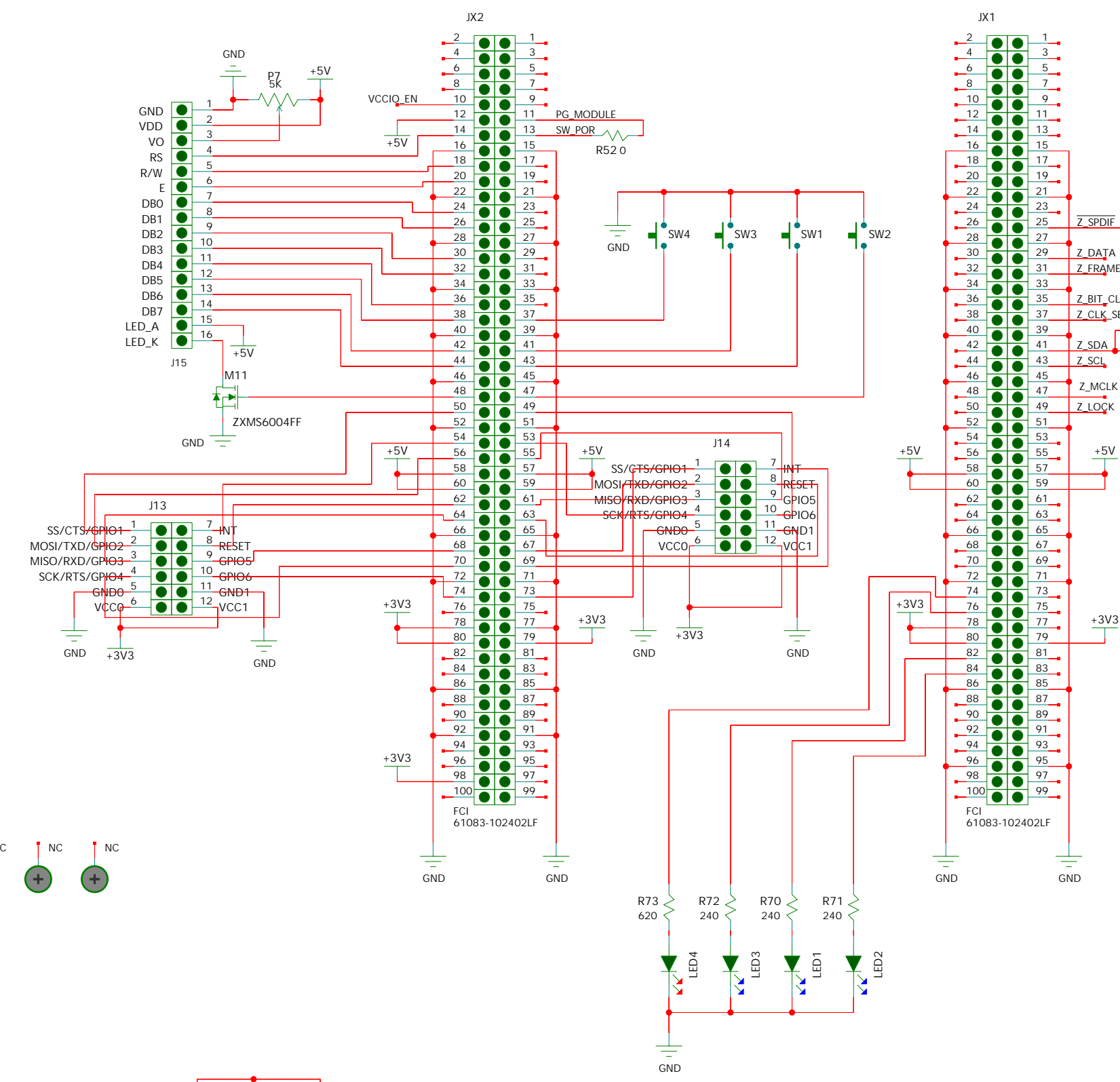
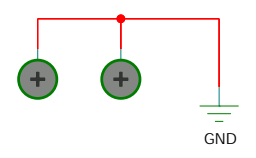
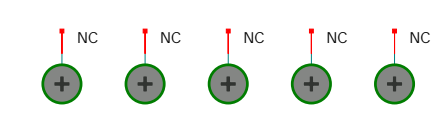
5

4

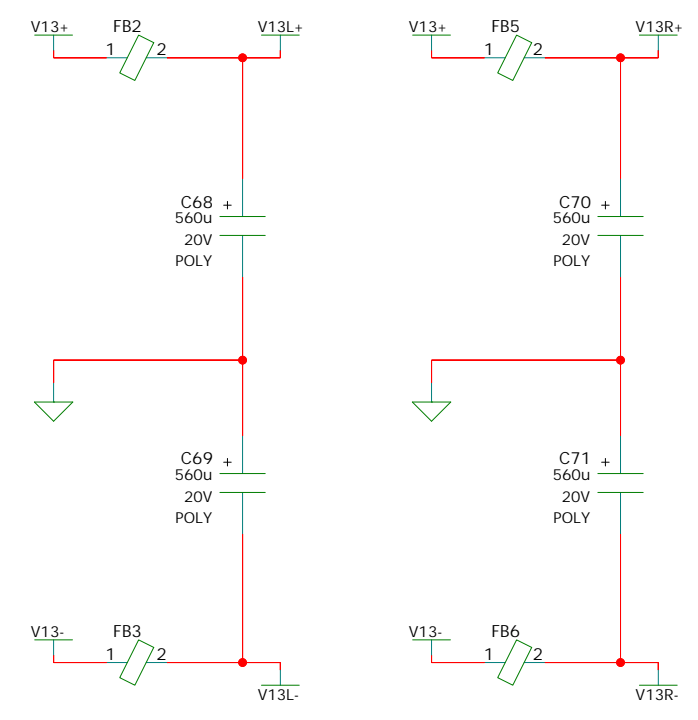
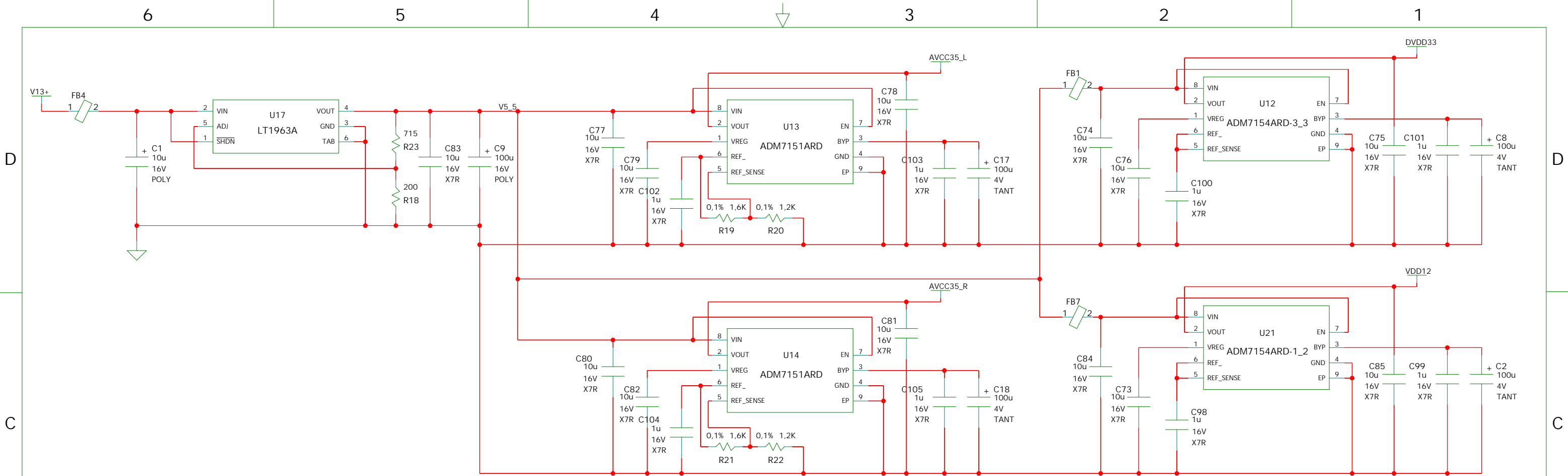
3

2

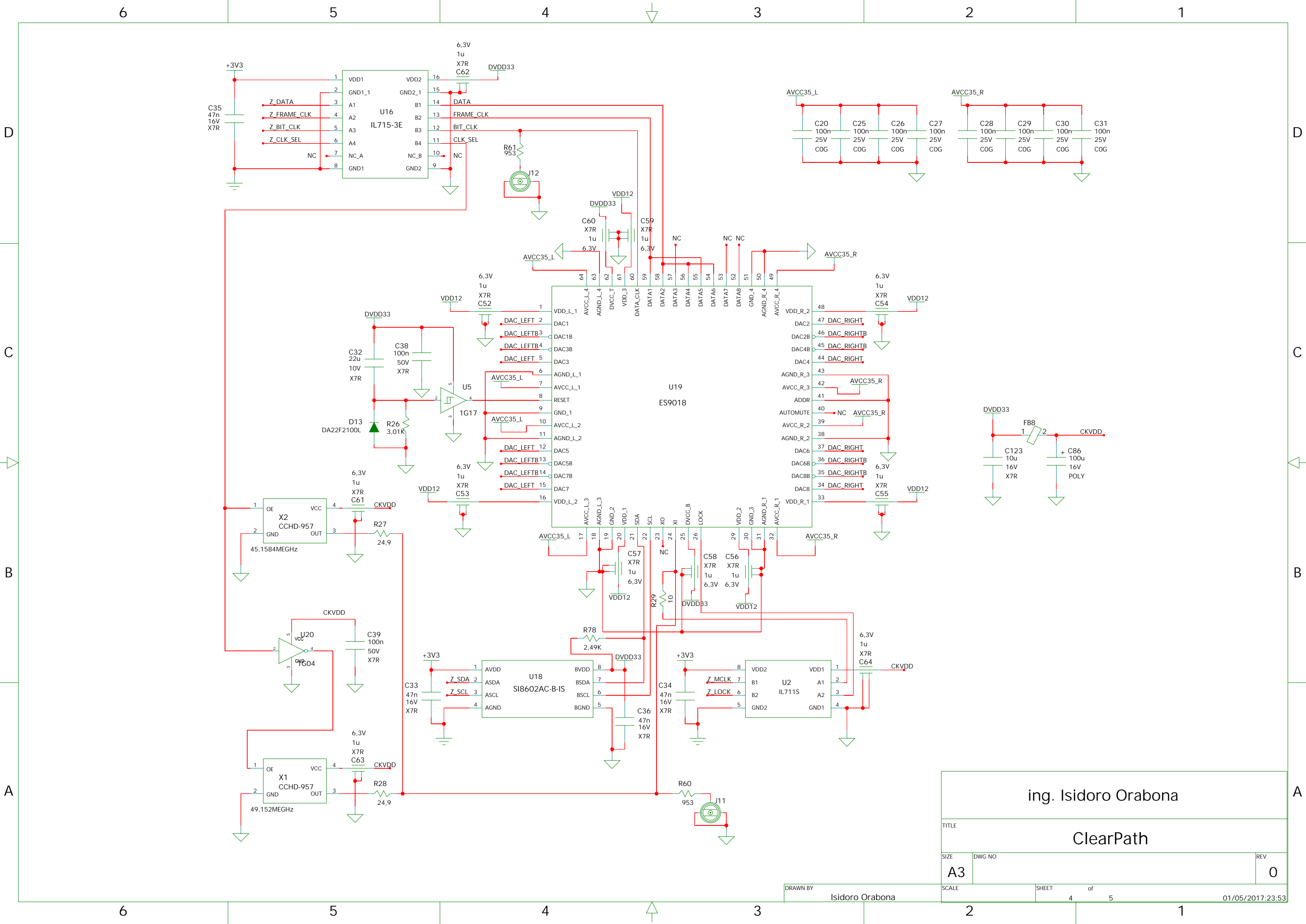
1



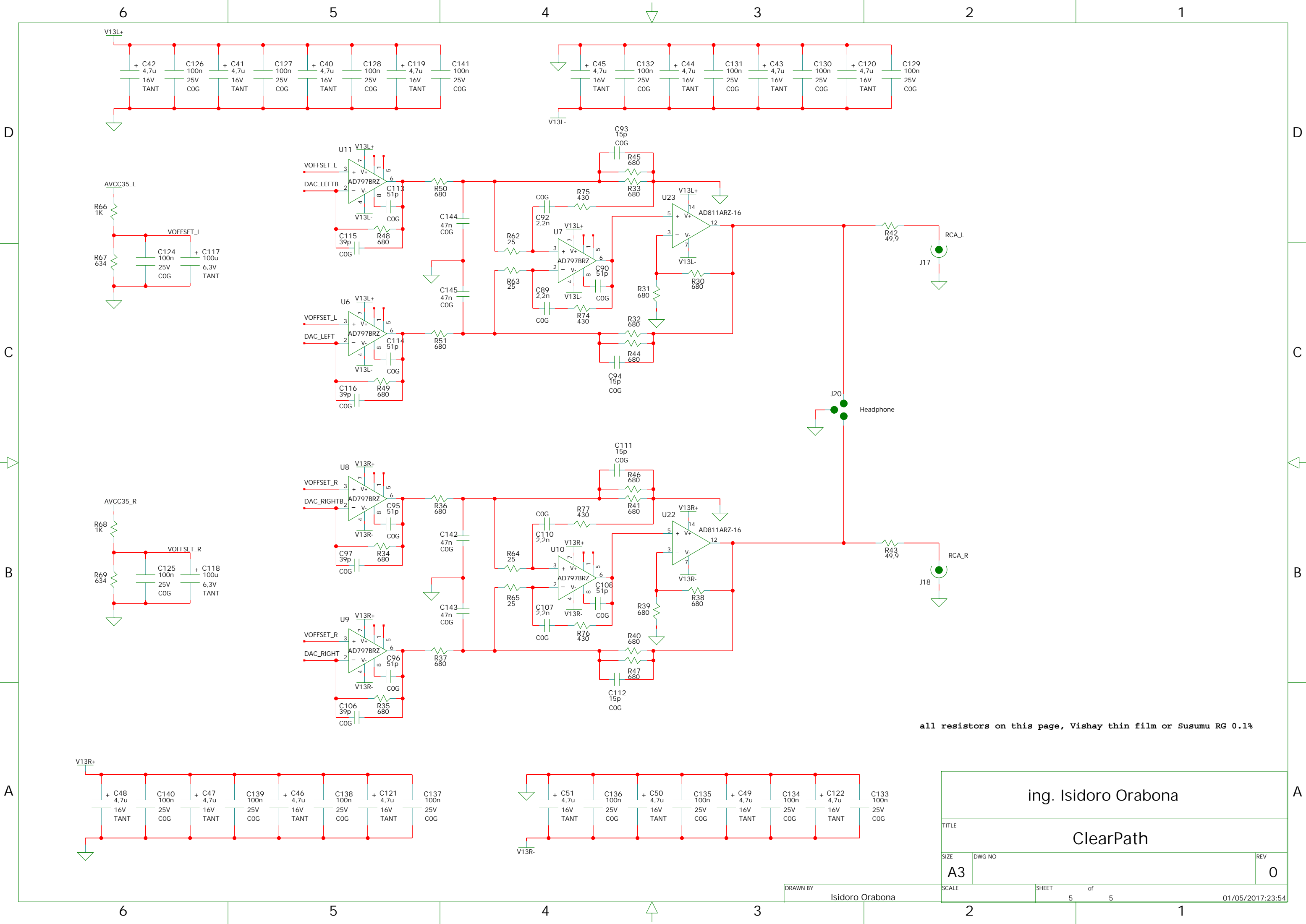
ing. Isidoro Orabona		
TITLE		
ClearPath		
SIZE	DWG NO	REV
A3		0
DRAWN BY	Isidoro Orabona	
SCALE	SHEET	of
	2	5
01/05/2017:23:52		



ing. Isidoro Orabona		
TITLE		
ClearPath		
SIZE	DWG NO	REV
A3		0
DRAWN BY	Isidoro Orabona	
SCALE	SHEET	of
	3	5
01/05/2017:23:53		



ing. Isidoro Orabona		
TITLE		
ClearPath		
SIZE	DWG NO	REV
A3		0
SCALE	SHEET	of
	4	5
DRAWN BY Isidoro Orabona		
01/05/2017:23:53		



all resistors on this page, Vishay thin film or Susumu RG 0.1%

ing. Isidoro Orabona		
TITLE ClearPath		
SIZE A3	DWG NO	REV 0
SCALE	SHEET 5	of 5
DRAWN BY Isidoro Orabona		
01/05/2017:23:54		