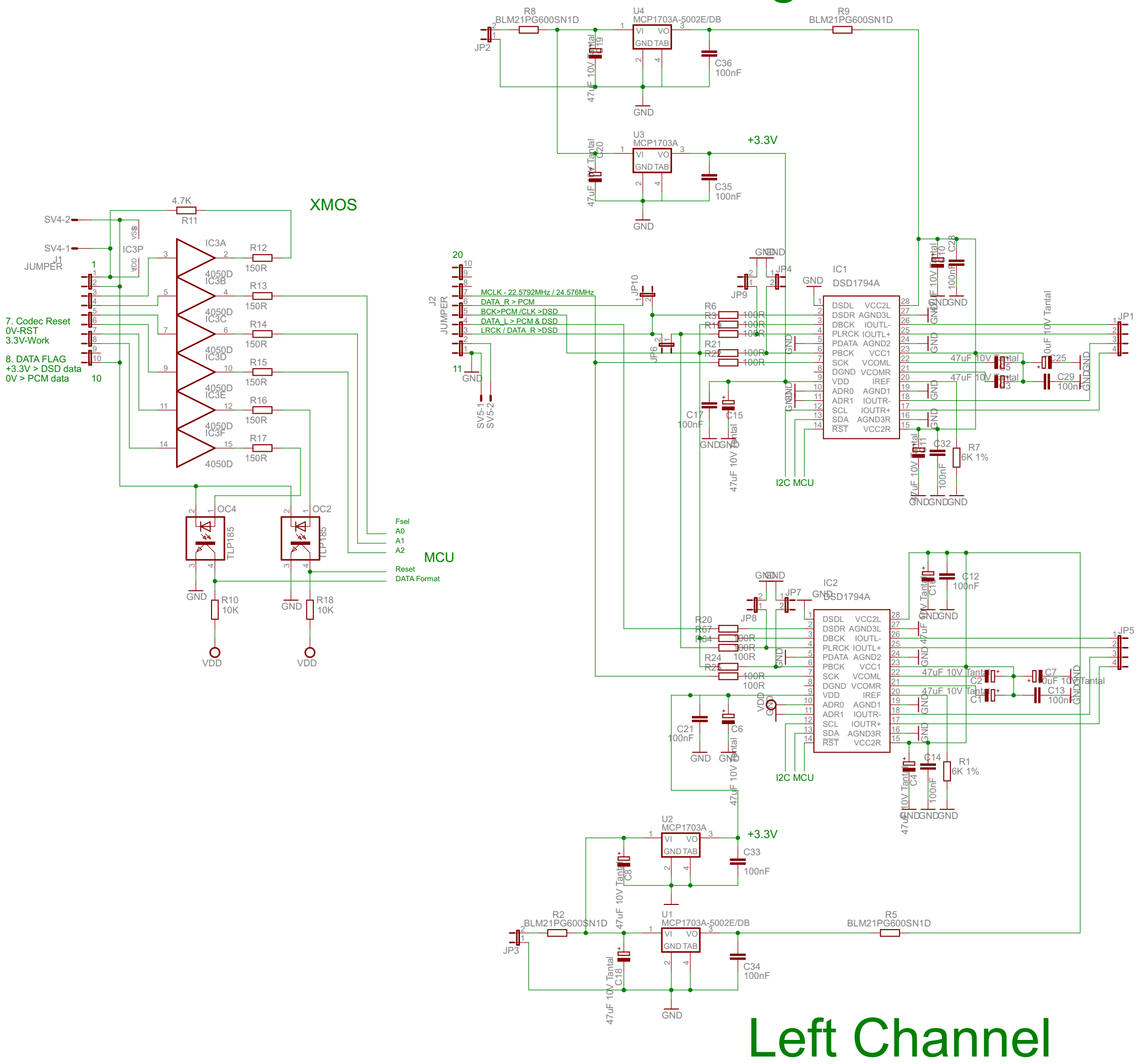


Right Channel



Left Channel