

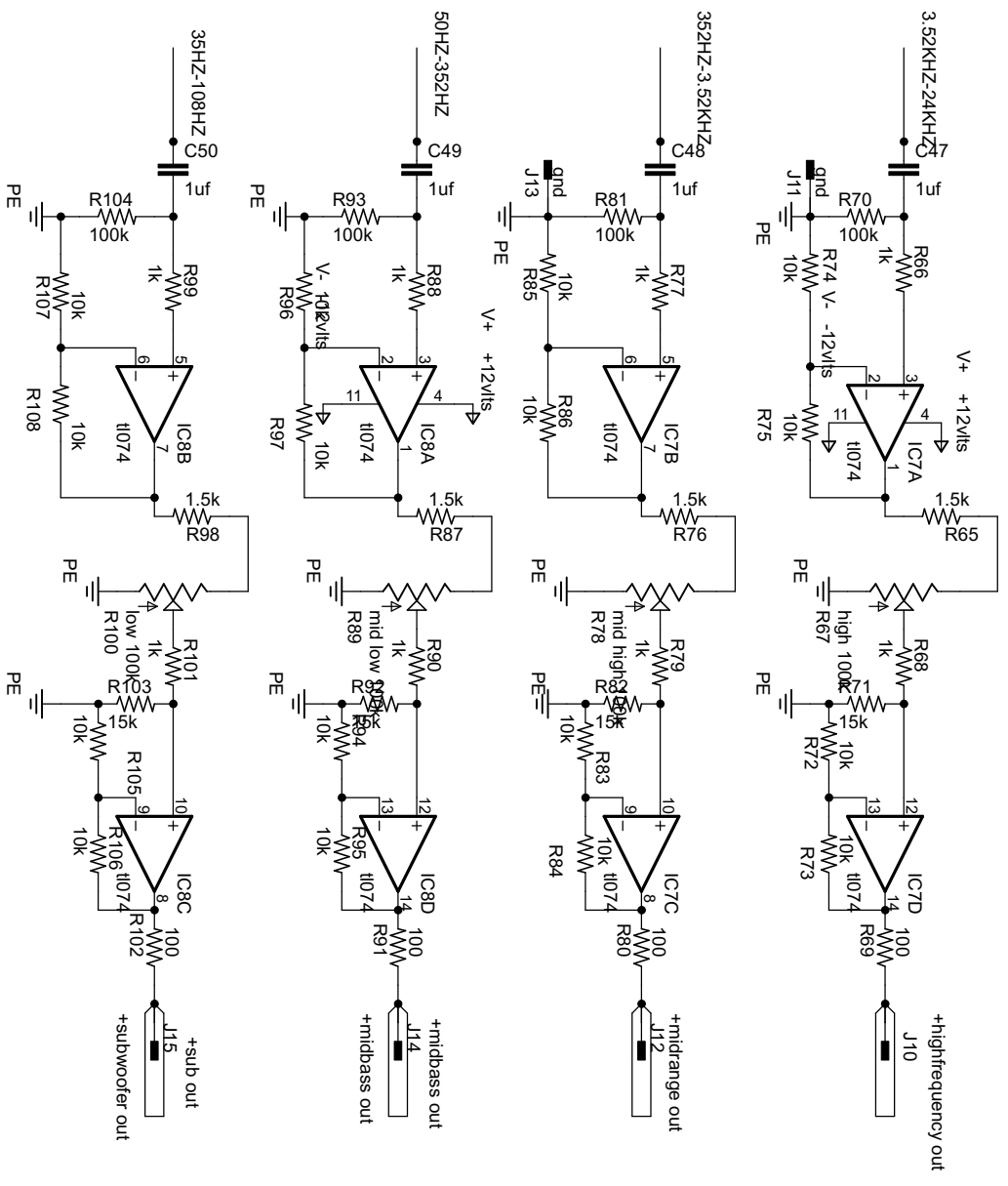
4 way crossover

H1
MOUNT-HOLE4.1

H2
MOUNT-HOLE4.1

H3
MOUNT-HOLE4.1

H4
MOUNT-HOLE4.1



4 way crossover preamp and balanced output