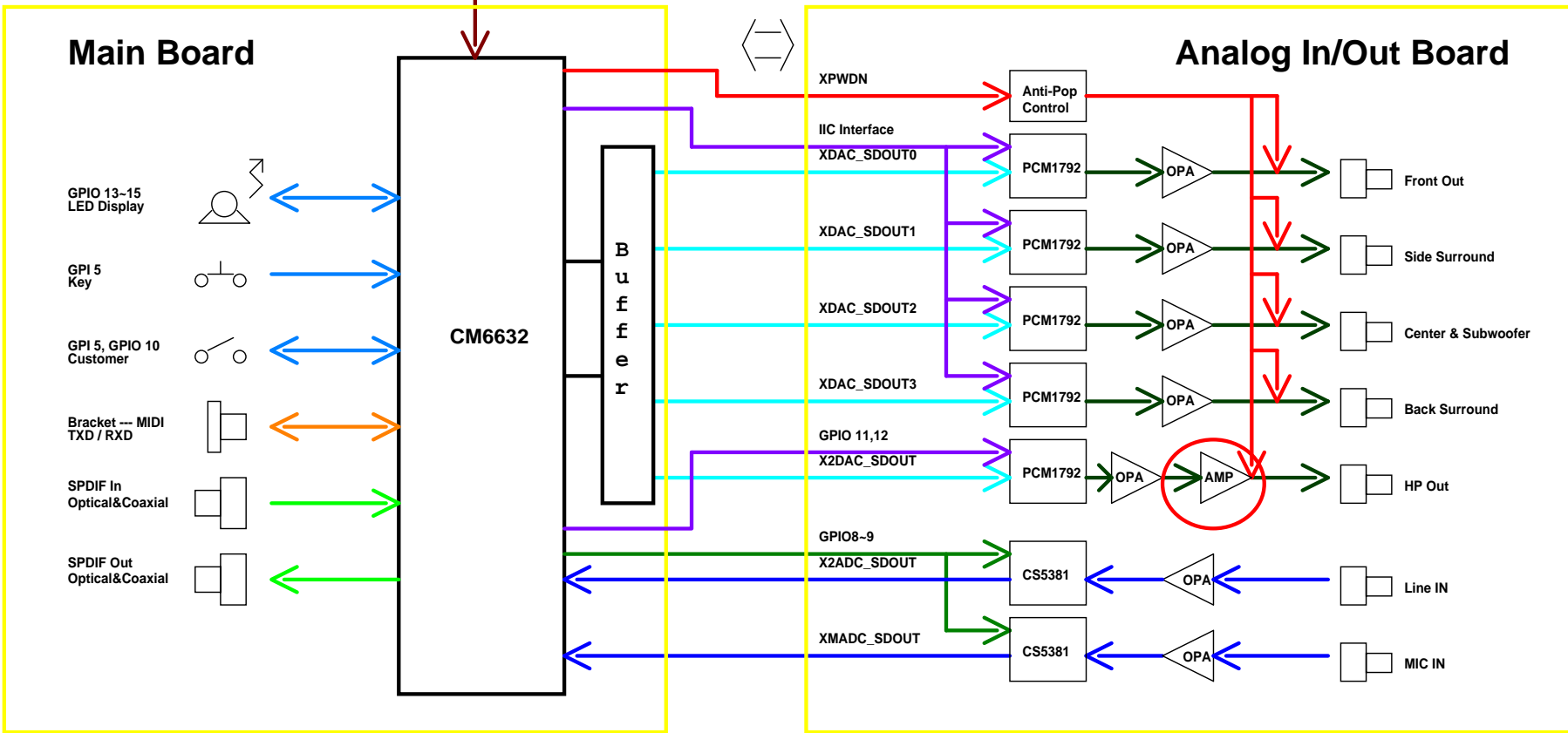


USB Slot

Pin Header

Main Board

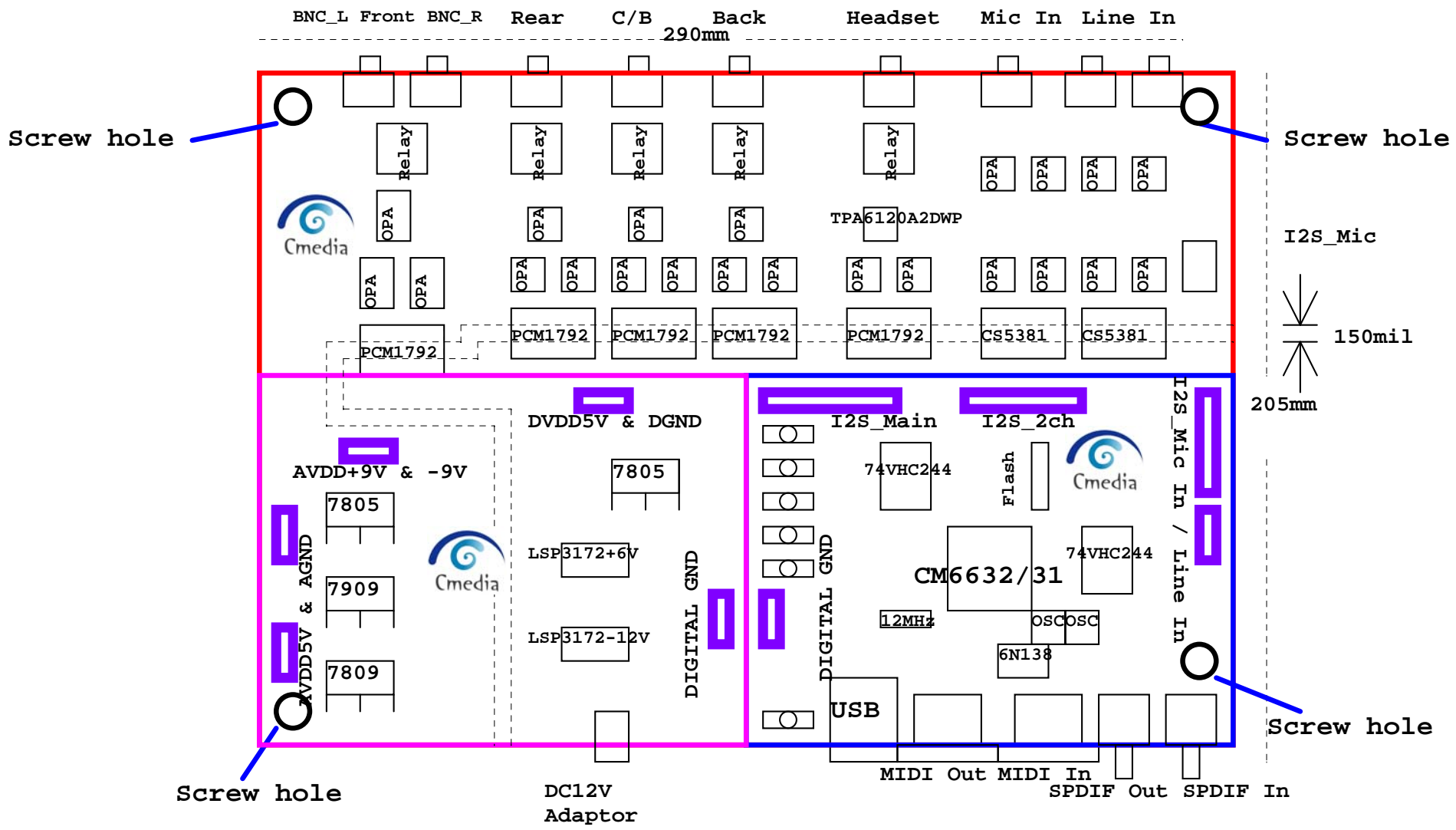
Analog In/Out Board




C-MEDIA ELECTRONICS Inc.
6F., 100, Sec. 4, Civil Boulevard, Taipei, Taiwan, R.O.C.



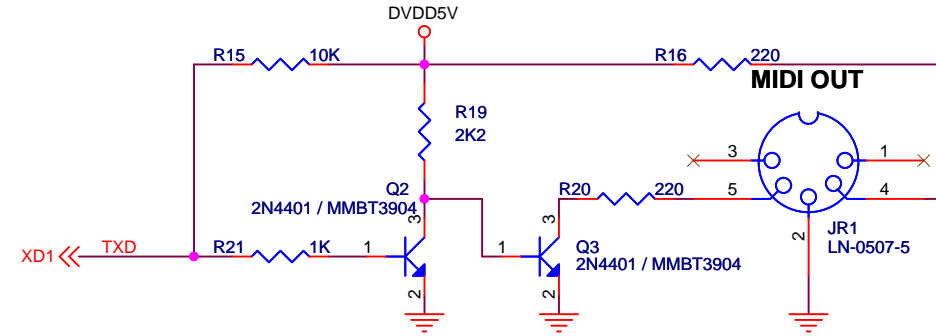
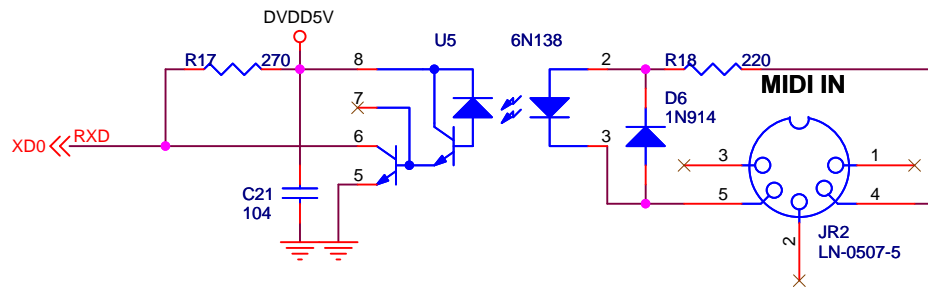
Title		
USB2.0 Audio Section		
Size	Document Number	Rev
	Function Diagram	0.99
Date:	Tuesday, July 27, 2010	Sheet 1 of 14



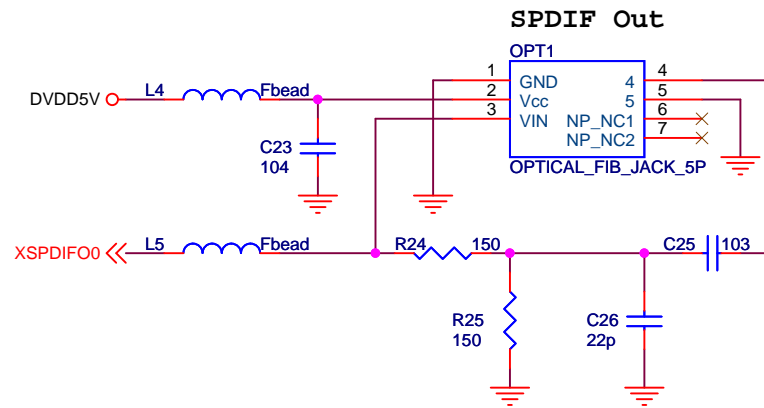
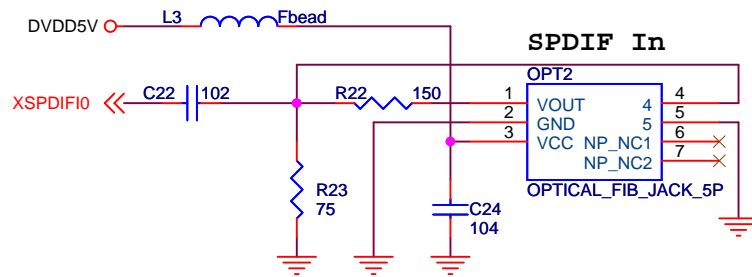
 C-MEDIA ELECTRONICS Inc. 6F., 100, Sec. 4, Civil Boulevard, Taipei, Taiwan, R.O.C.	
Title	
USB2.0 Audio Section	
Size	Document Number
	Placement
Date:	Tuesday, July 27, 2010
Sheet	2 of 14
Rev	0.99




MIDI IN/ OUT Section

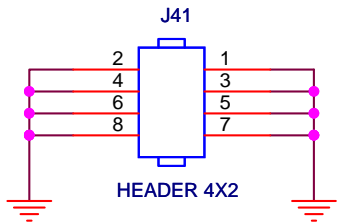
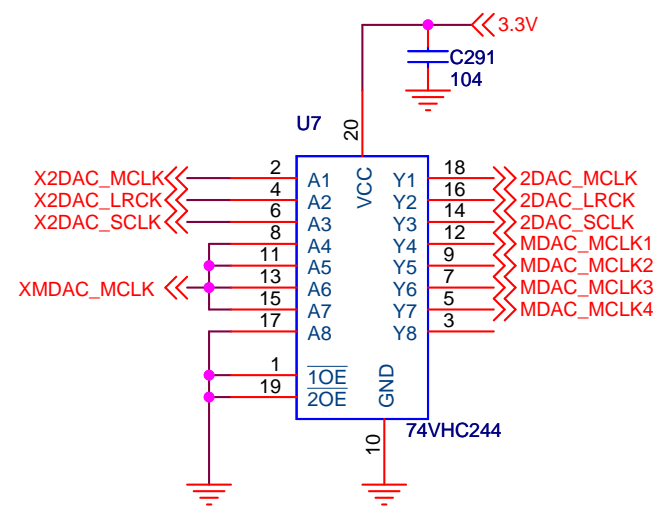
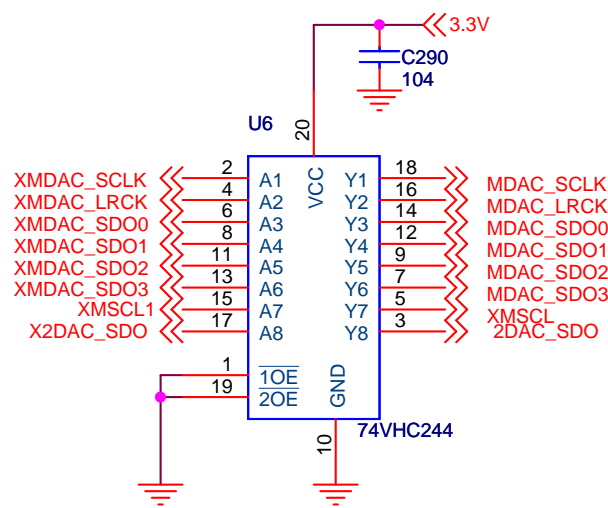
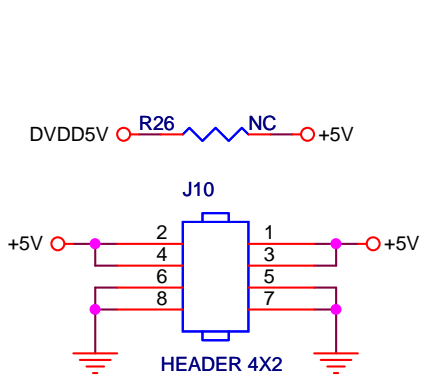
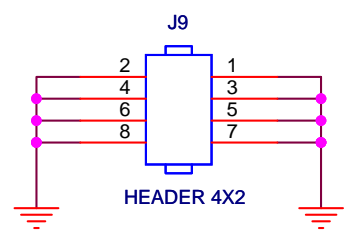
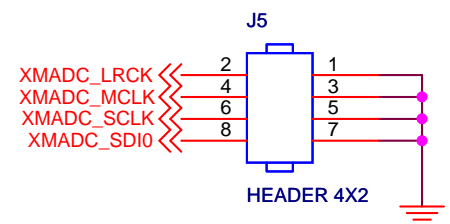
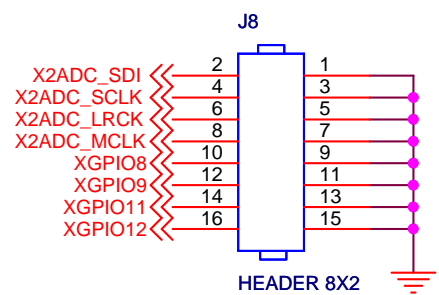
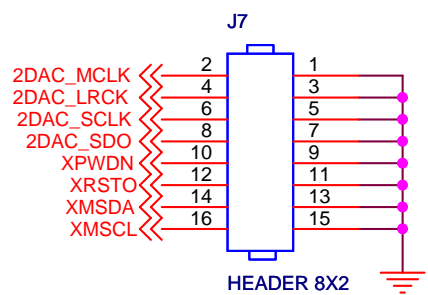
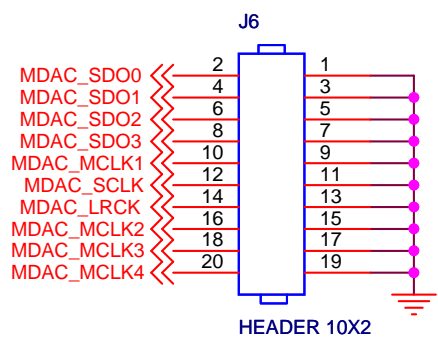


SPDIF Section



 C-MEDIA ELECTRONICS Inc. 6F., 100, Sec. 4, Civil Boulevard, Taipei, Taiwan, R.O.C.	
Title	
USB2.0 Audio Section	
Size	Document Number
SPDIF IN/OUT & MIDI	
Date:	Rev
Tuesday, July 27, 2010	0.99
Date: Tuesday, July 27, 2010 Sheet 4 of 14	





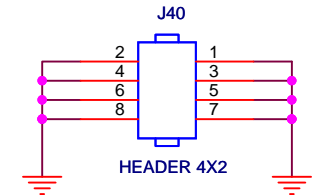
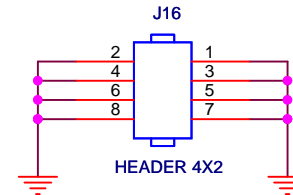
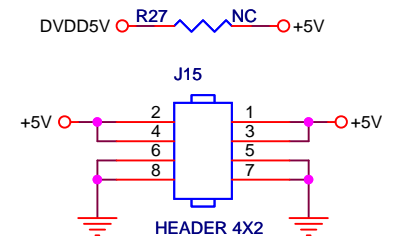
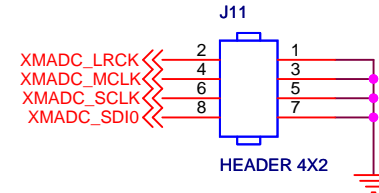
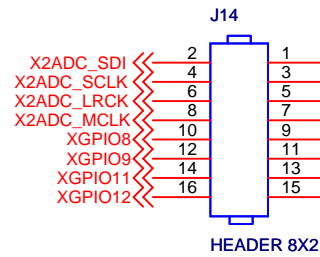
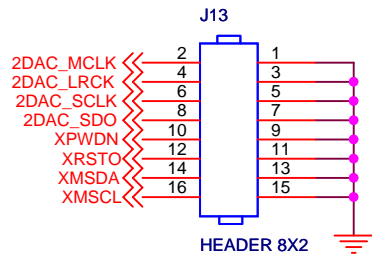
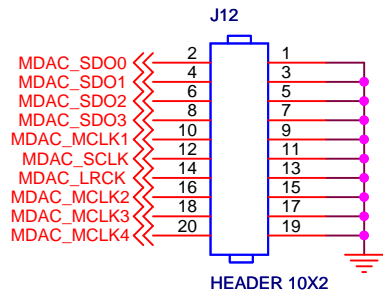
C-MEDIA ELECTRONICS Inc.
 6F., 100, Sec. 4, Civil Boulevard, Taipei, Taiwan, R.O.C.

Title: **USB2.0 Audio Section**

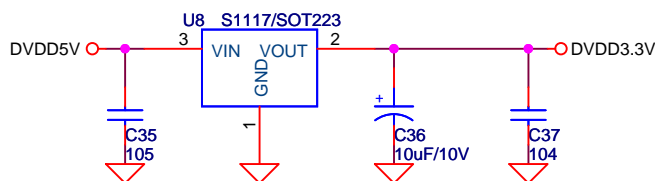
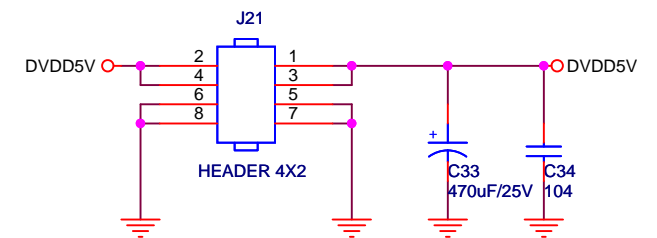
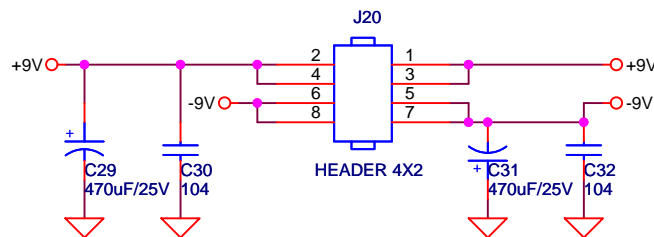
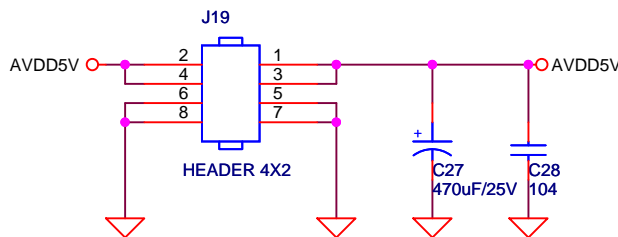
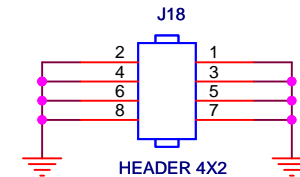
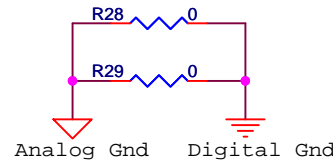
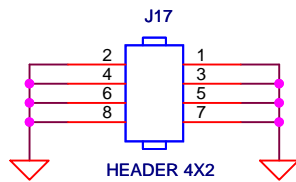
Size	Document Number	Rev
	Power & Signal Connector	0.99


Date: Tuesday, July 27, 2010 Sheet 5 of 14

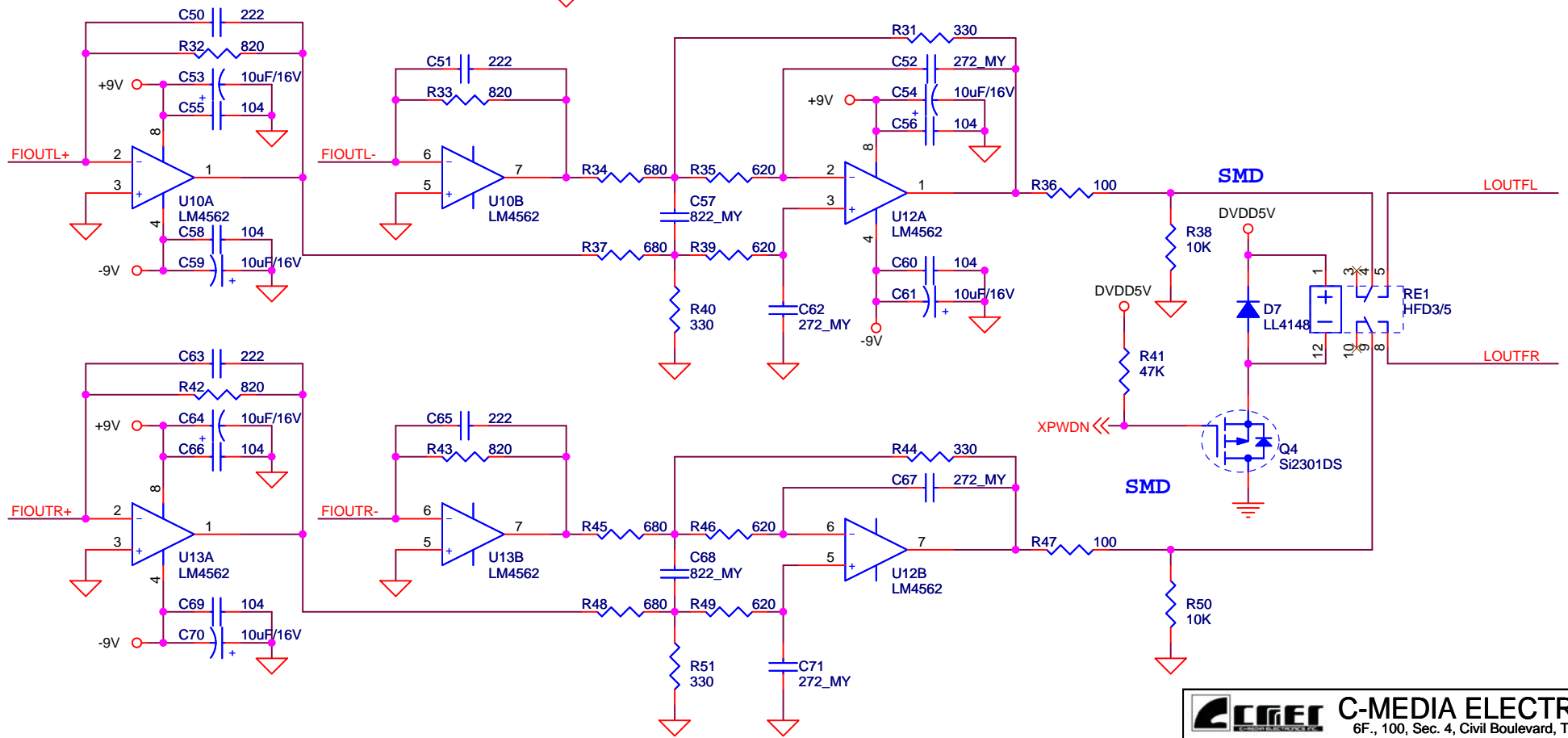
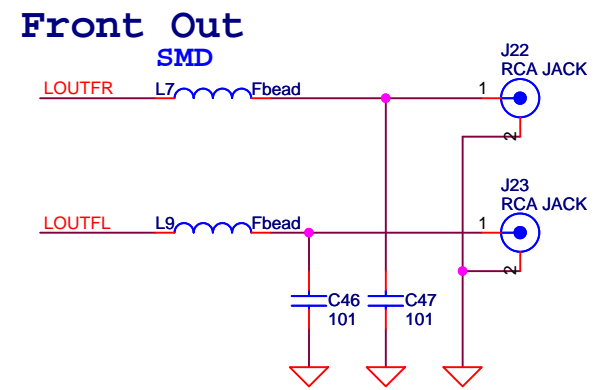
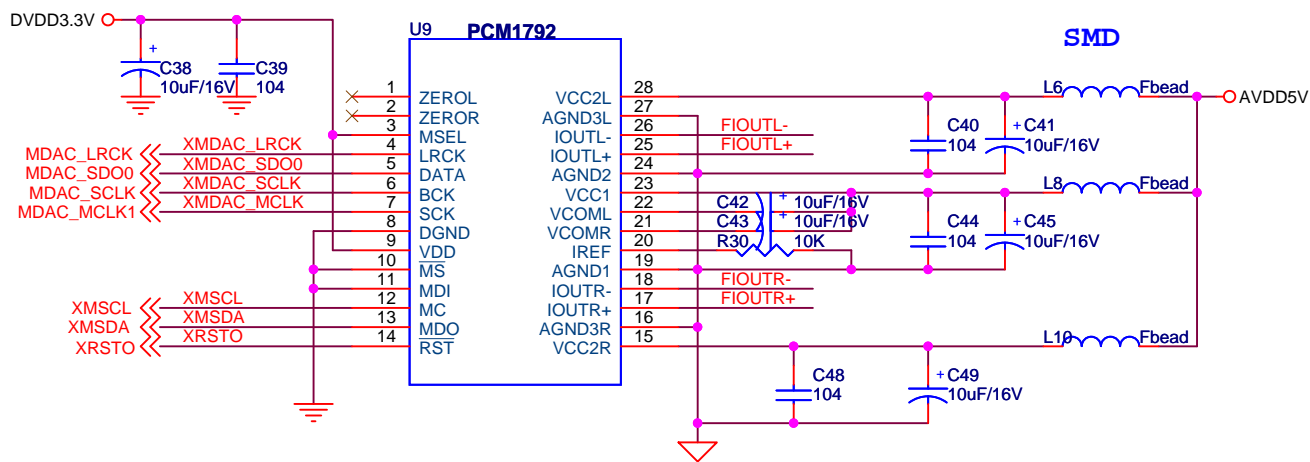
Connected Main Board



Connected Power Board or External Power Supply



 C-MEDIA ELECTRONICS Inc. 6F., 100, Sec. 4, Civil Boulevard, Taipei, Taiwan, R.O.C.		
Title: USB2.0 Audio Section		
Size:	Power Number	Rev: 0.99
Date: Tuesday, July 27, 2010 Sheet 6 of 14		



C-MEDIA ELECTRONICS Inc.
6F., 100, Sec. 4, Civil Boulevard, Taipei, Taiwan, R.O.C.

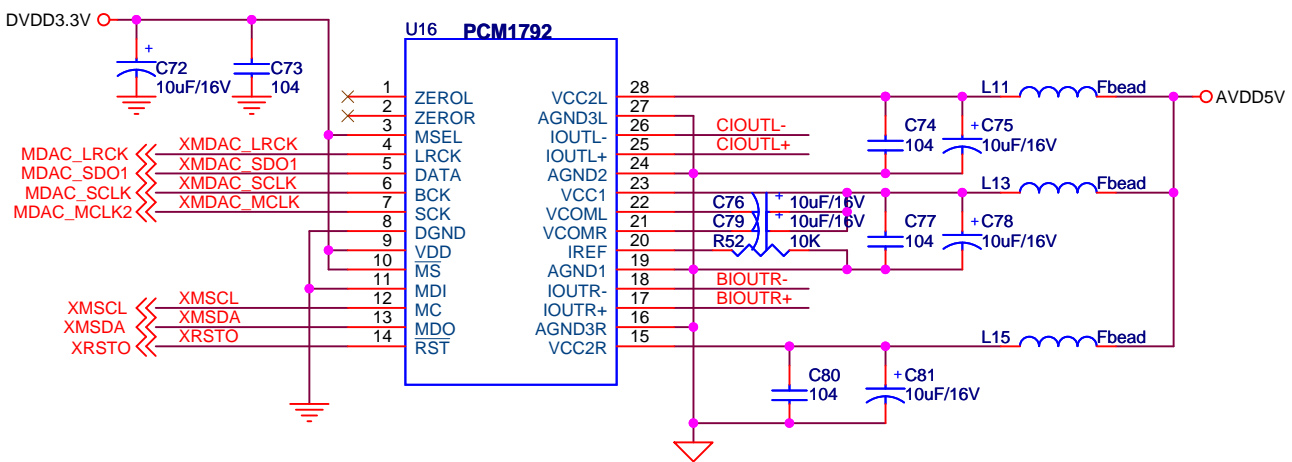
USB2.0 Audio Section

PCM1792-1 Front Out

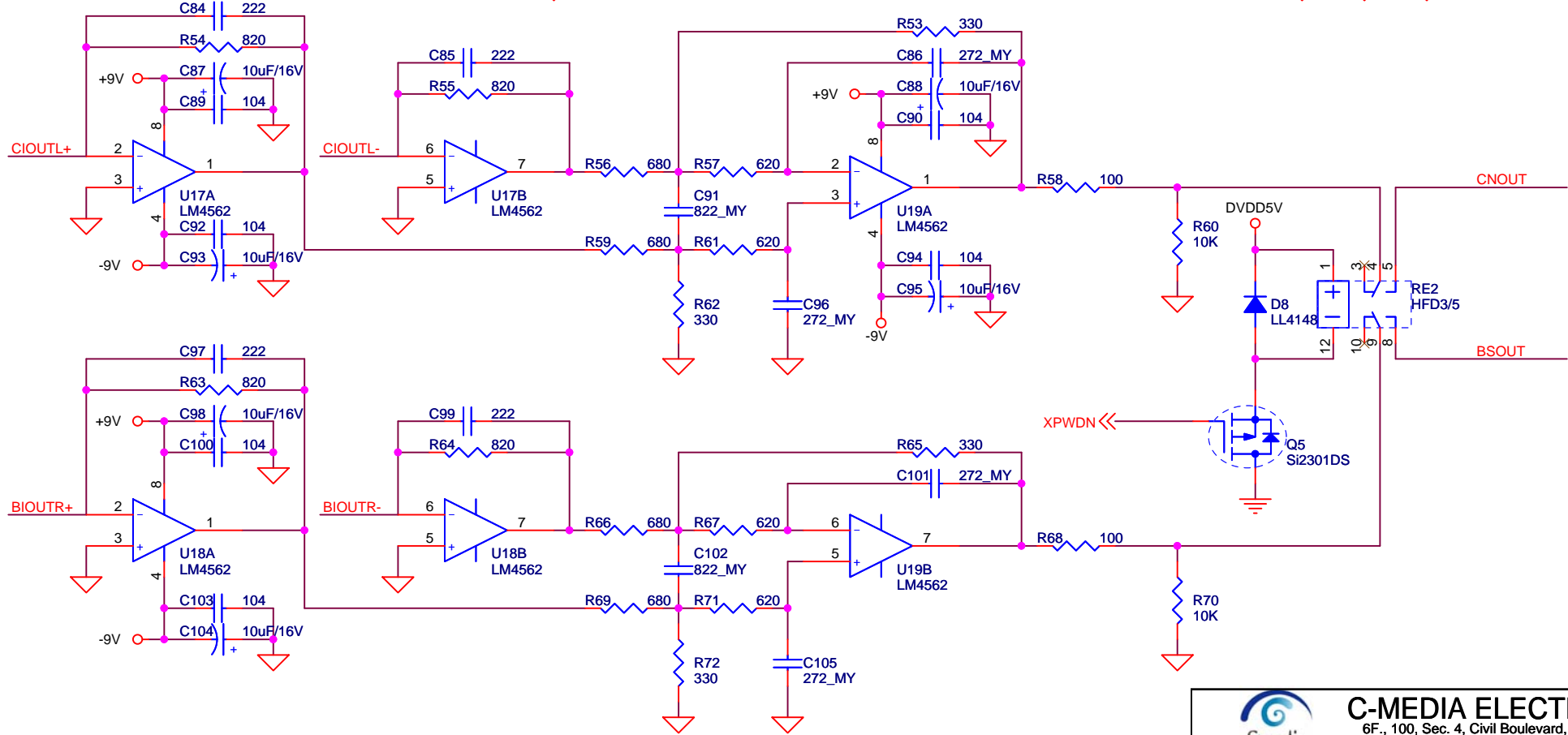
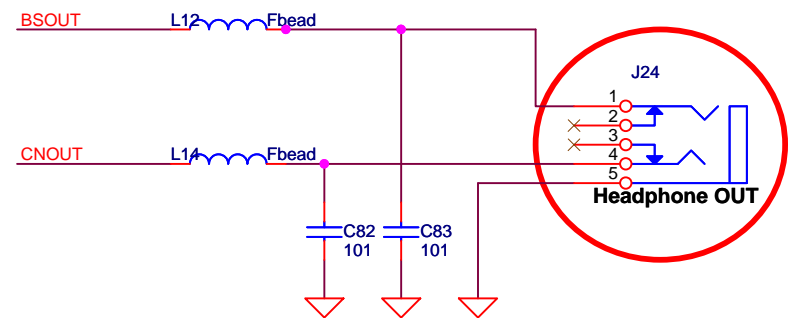
Date: Tuesday, July 27, 2010 Sheet 7 of 14


Rev 0.99

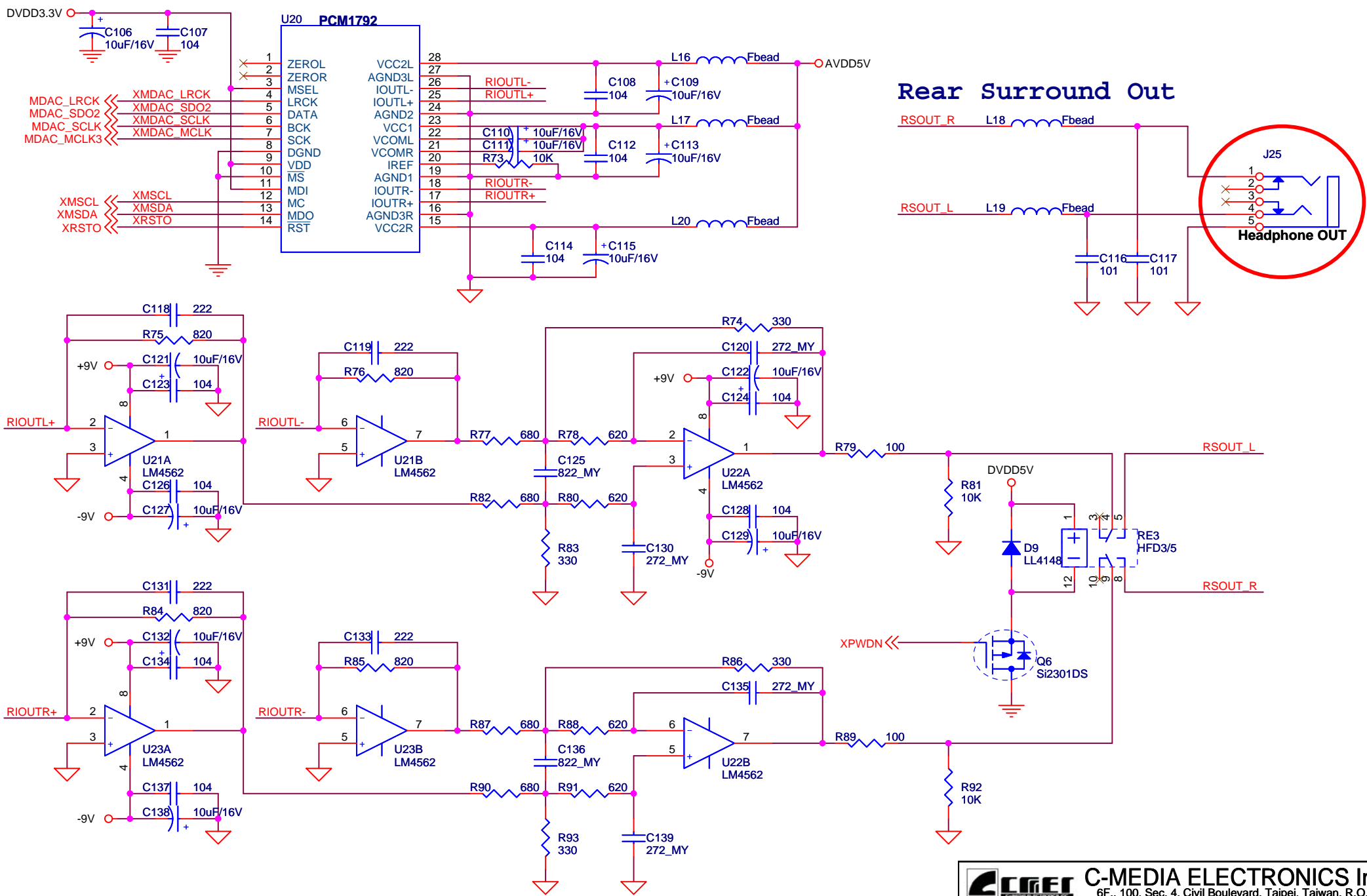




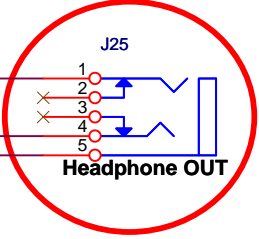
Center/Base Out




 C-MEDIA ELECTRONICS Inc. 6F., 100, Sec. 4, Civil Boulevard, Taipei, Taiwan, R.O.C.	
Title	
USB2.0 Audio Section	
Size	Document Number
PCM1792-2 Center Bass	
Date:	Rev
Tuesday, July 27, 2010	0.99
Date: Tuesday, July 27, 2010	
Sheet 8 of 14	

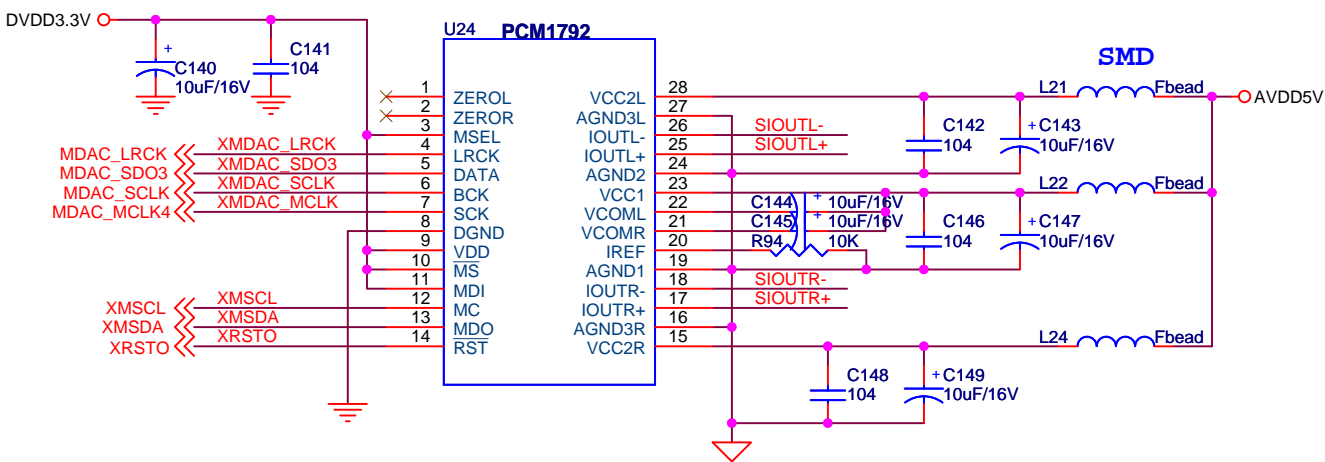


Rear Surround Out

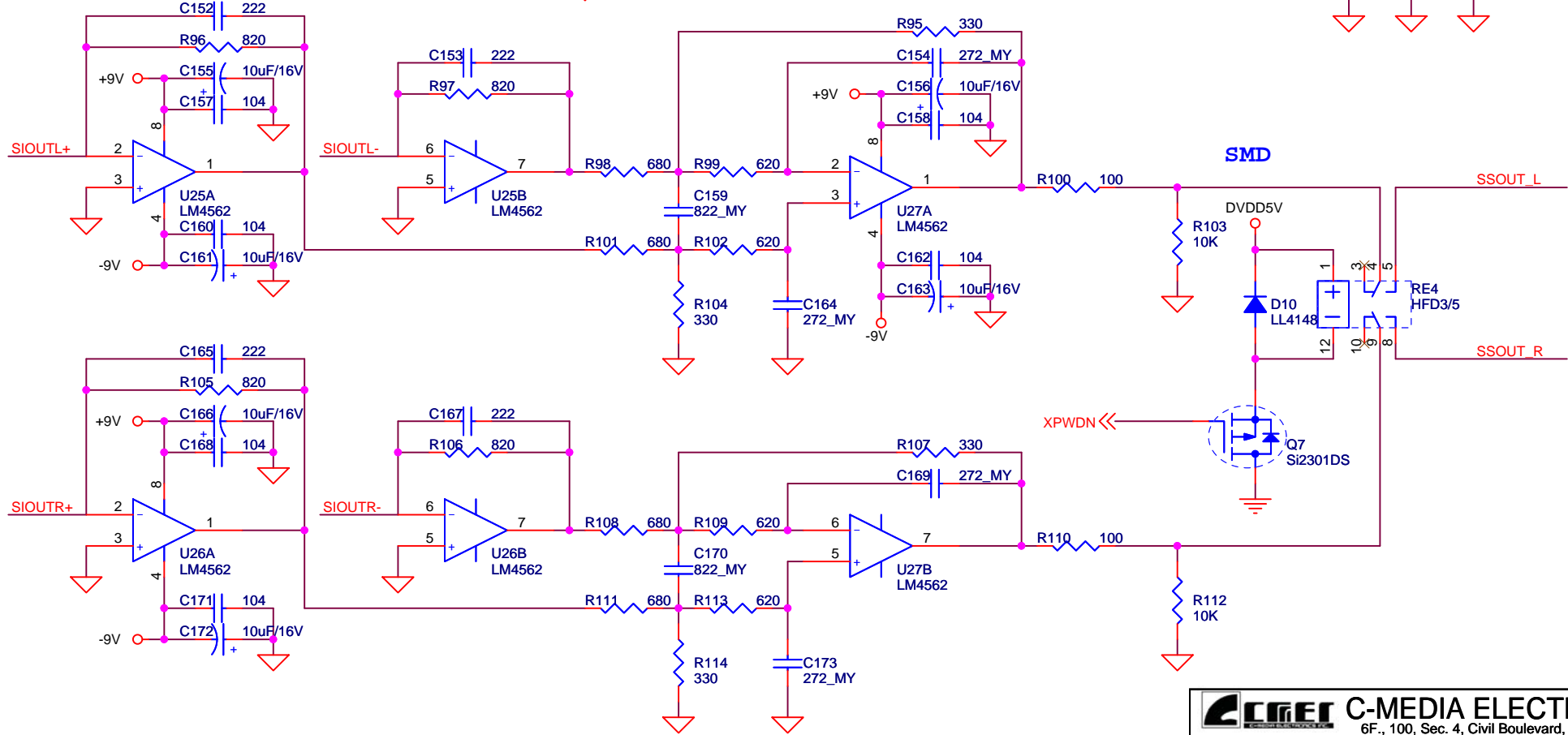
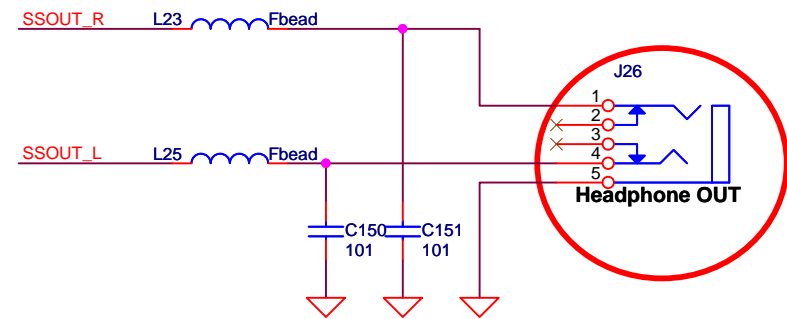


 C-MEDIA ELECTRONICS Inc. 6F., 100, Sec. 4, Civil Boulevard, Taipei, Taiwan, R.O.C.	
Title	
USB2.0 Audio Section	
Size	Document Number
PCM1792-3 Rear Surround Out	
Date:	Rev
Tuesday, July 27, 2010	0.99
Sheet 9 of 14	



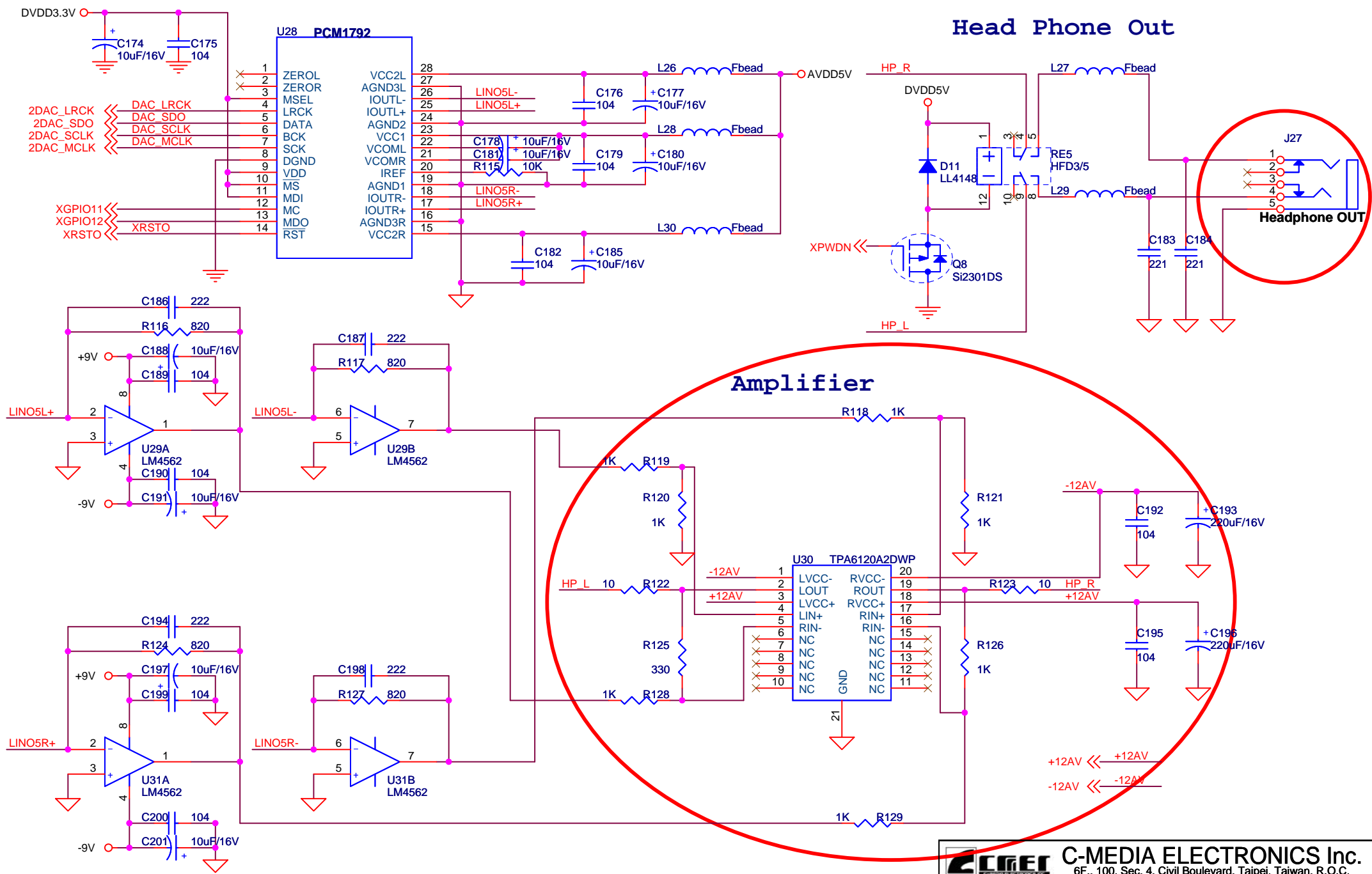



SMD Side Surround Out



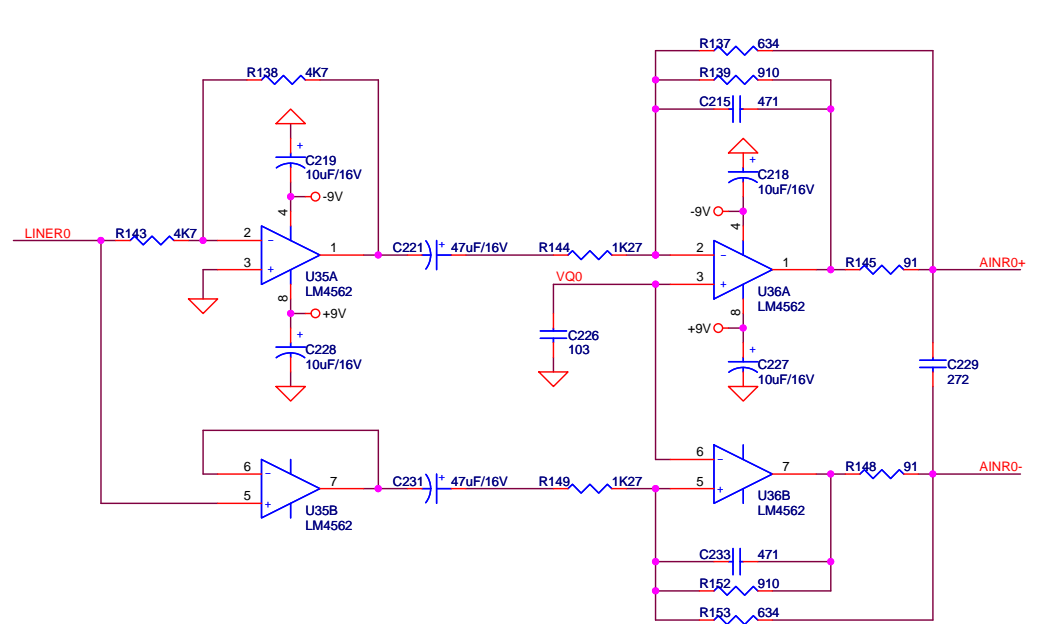
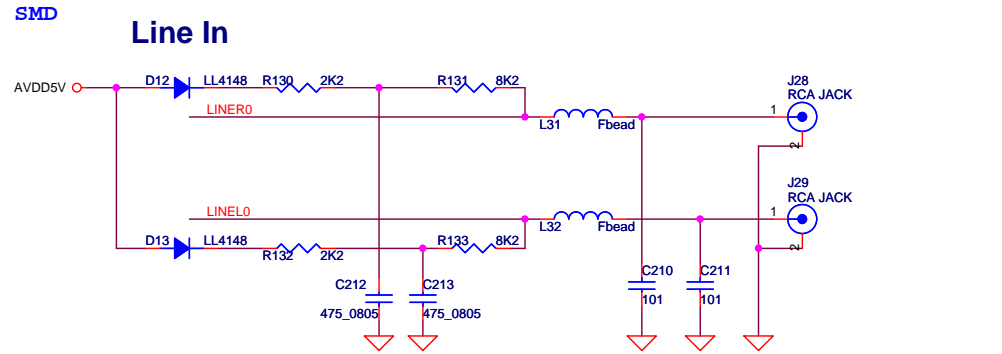
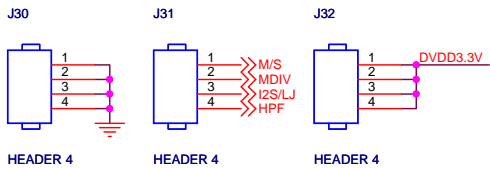
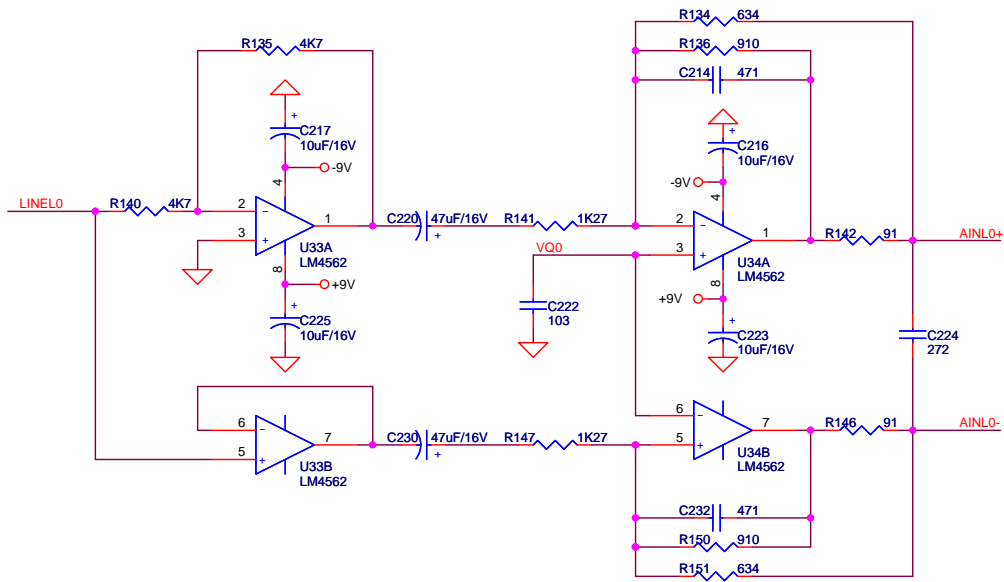
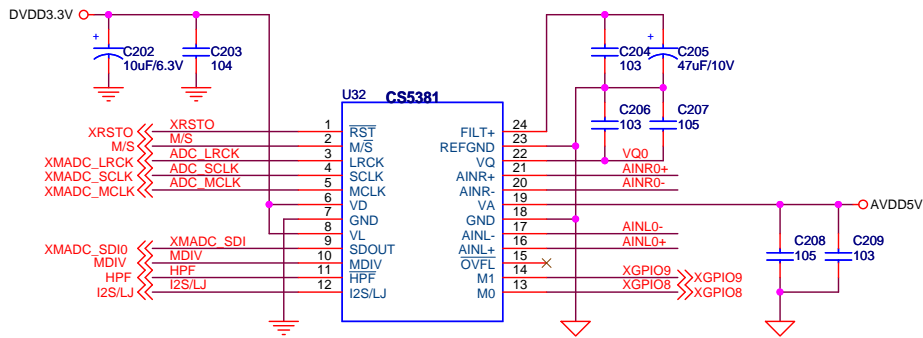
C-MEDIA ELECTRONICS Inc. 6F., 100, Sec. 4, Civil Boulevard, Taipei, Taiwan, R.O.C.		
USB2.0 Audio Section		
Title	USB2.0 Audio Section	
Size	Document Number	Rev
	PCM1792-4 Side Surround Out	0.99
Date:	Tuesday, July 27, 2010	Sheet 10 of 14






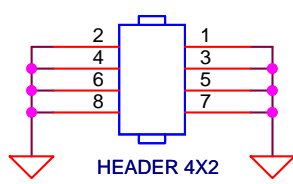
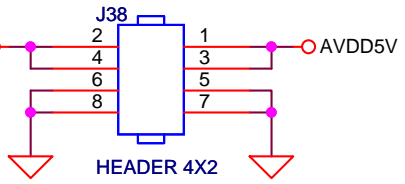
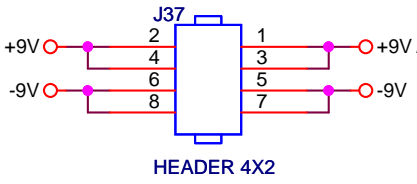
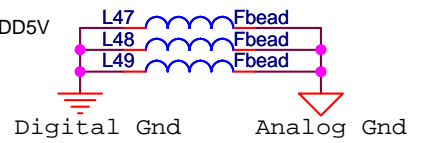
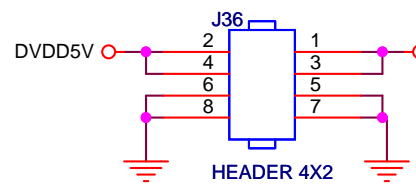
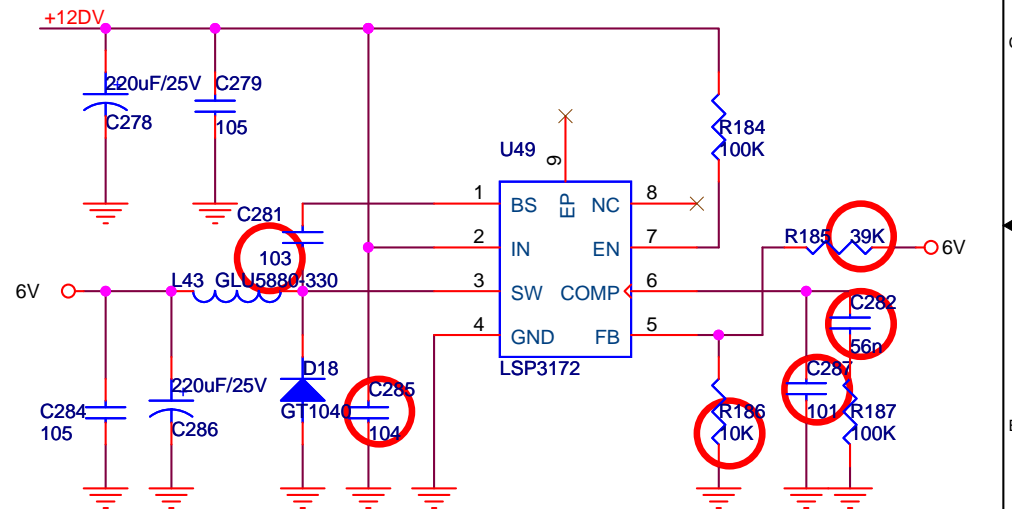
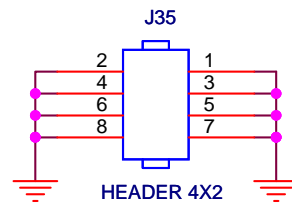
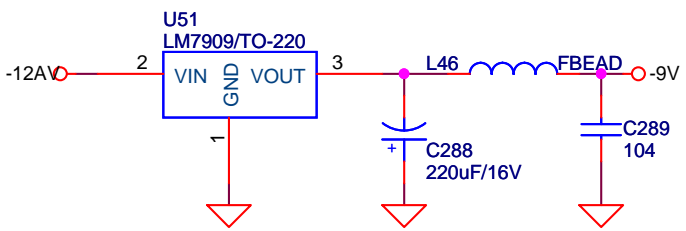
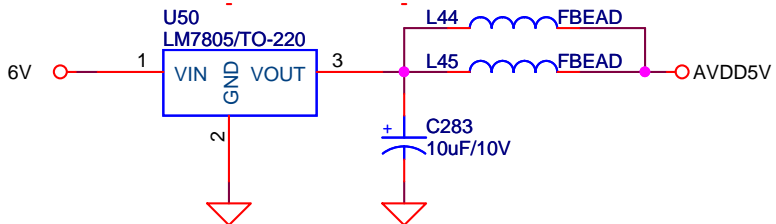
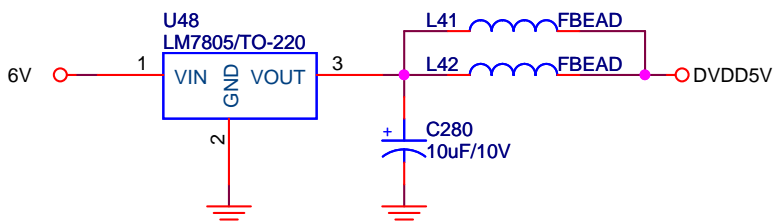
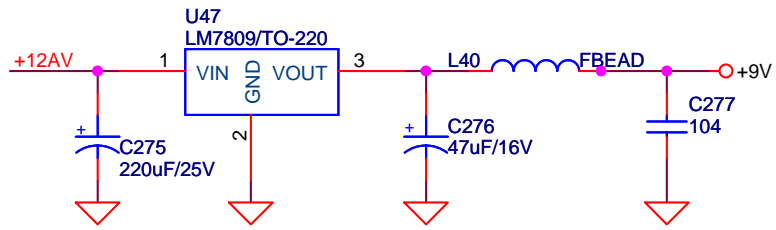
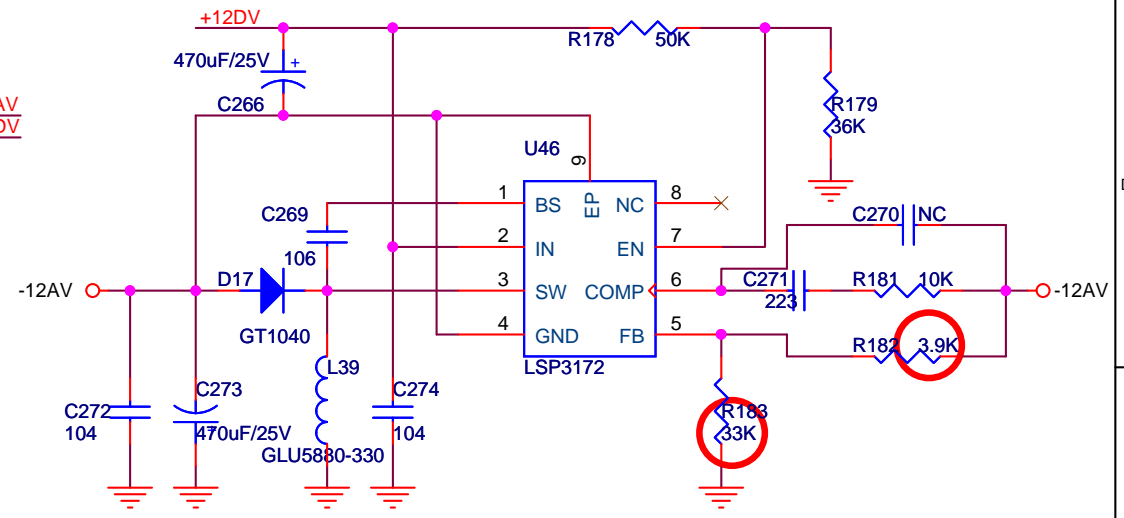
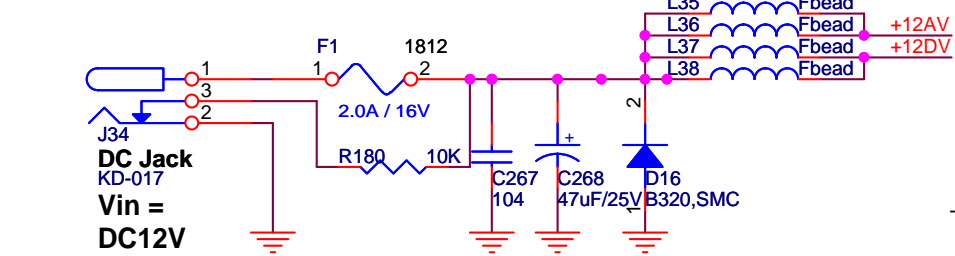
 C-MEDIA ELECTRONICS Inc. 6F., 100, Sec. 4, Civil Boulevard, Taipei, Taiwan, R.O.C.	
Title	
USB2.0 Audio Section	
Size	Document Number
PCM1792-5 Head Phone Out	
Date:	Rev
Tuesday, July 27, 2010	0.99
Sheet	11 of 14





 C-MEDIA ELECTRONICS Inc. 6F., 100, Sec. 4, Civil Boulevard, Taipei, Taiwan, R.O.C.		
Title		
USB2.0 Audio Section		
Size	Document Number	Rev
	ADC CSS381-1 Line In	0.99
Date:	Tuesday, July 27, 2010	Sheet 12 of 14

POWER CIRCUIT



C-MEDIA ELECTRONICS Inc.
 6F., 100, Sec. 4, Civil Boulevard, Taipei, Taiwan, R.O.C.

Title: **USB2.0 Audio Section**

Size: Document Number **POWER & CONNECTOR** Rev **0.99**

Date: Tuesday, August 03, 2010 Sheet 14 of 14