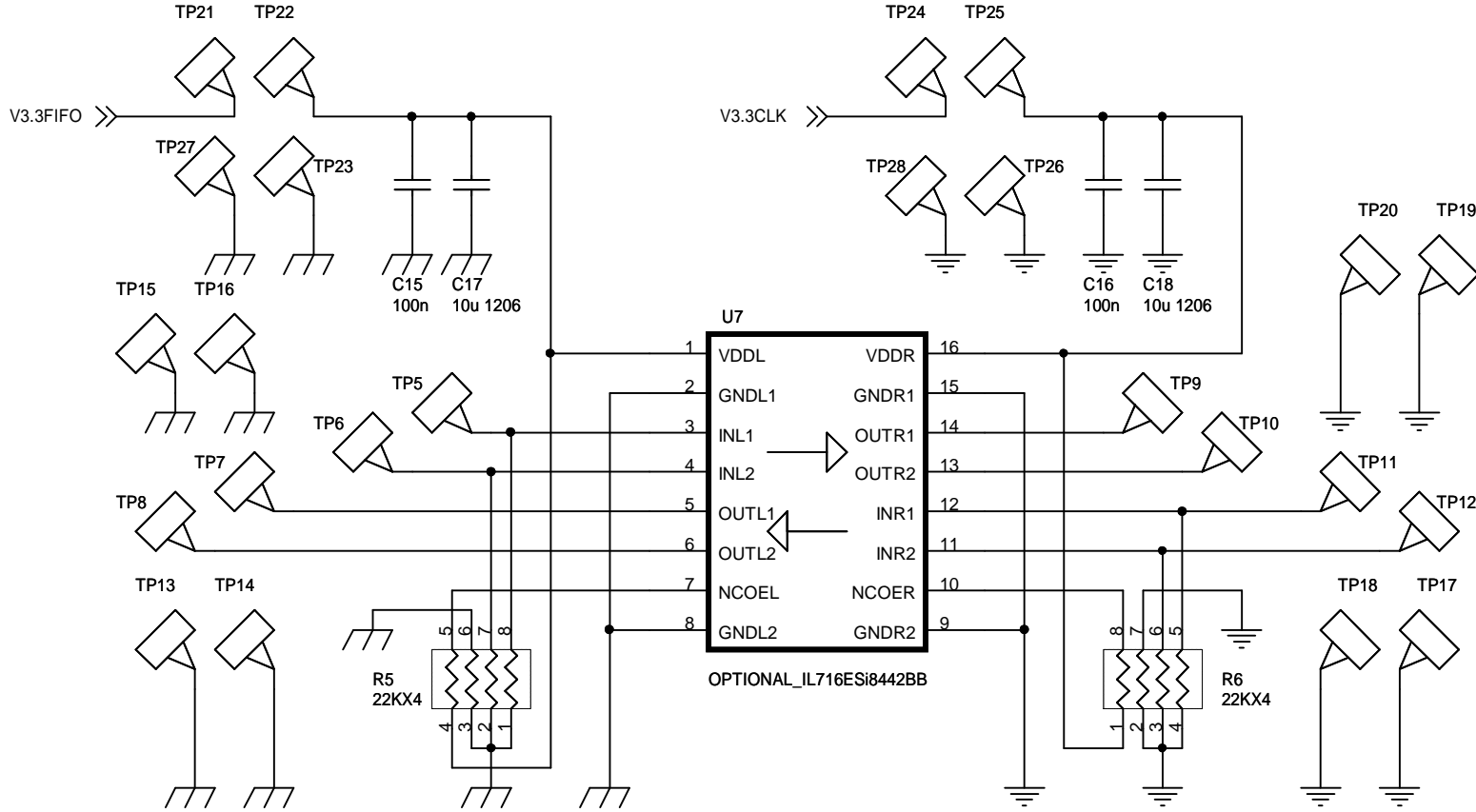


Do not need assemble anything in this page if don't use the additional universal isolator

POWER SUPPLY JUMPER USE FIFO POWER: TP21-TP22, TP27-TP23  
 INDEPENDENT POWER: TP22 AND TP23

POWER SUPPLY JUMPER USE CLOCK POWER: TP24-TP25, TP28-TP26  
 INDEPENDENT POWER: TP25 AND TP26



UNIVERSIAL ISOLATOR  
 COMPATIBLE WITH IL715/IL716/IL717  
 OR Si8440BB/Si8441BB/Si8442BB

Title			
ADDITIONAL UNIVERSAL ISOLATOR			
Size	Document Number	Design by Ian	Rev
A		iancanada.mail@gmail.com	1.0
Date:	Sunday, September 30, 2012	Sheet	2 of 3

**Standard Configuration**

**Digital Isolators:**

U4,U6 IL260E 390-1068-5-ND  
or,  
U1,U5 SI8650BC-B-IS1 336-2099-5-ND

**Other components:**

U2,U3: ADP151AUJZ-3.3 ADP151AUJZ-3.3-R7CT-ND  
or TPS79333DBVR 296-12961-1-ND

C1,C3,C4,C6,C17,C18: 10u 1206 MLCC 445-4043-1-ND

C2,C5,C7,C8,C9,C10,C11,C12,C13,C14,C15,C16:  
100n 0603 MLCC 445-1316-2-ND

R1,R2,R3,R4: 33ohm\*4 YC164J-33CT-ND

L2,L3: FB 0805 445-1558-1-ND

J7,J8: PH2.0mm 7P SMD 455-1739-1-ND

J9,J10: FFC 1mm 10P SMD WM3767CT-ND

J1,J2,J3,J4,J5,J6: OPTIONAL UF.L SOCKETS H11891CT-ND

**To bypass U3**

(No need normally,Just works for input DC3.3V from Clock board)

Remove U3,  
Assemble L1 445-1558-1-ND

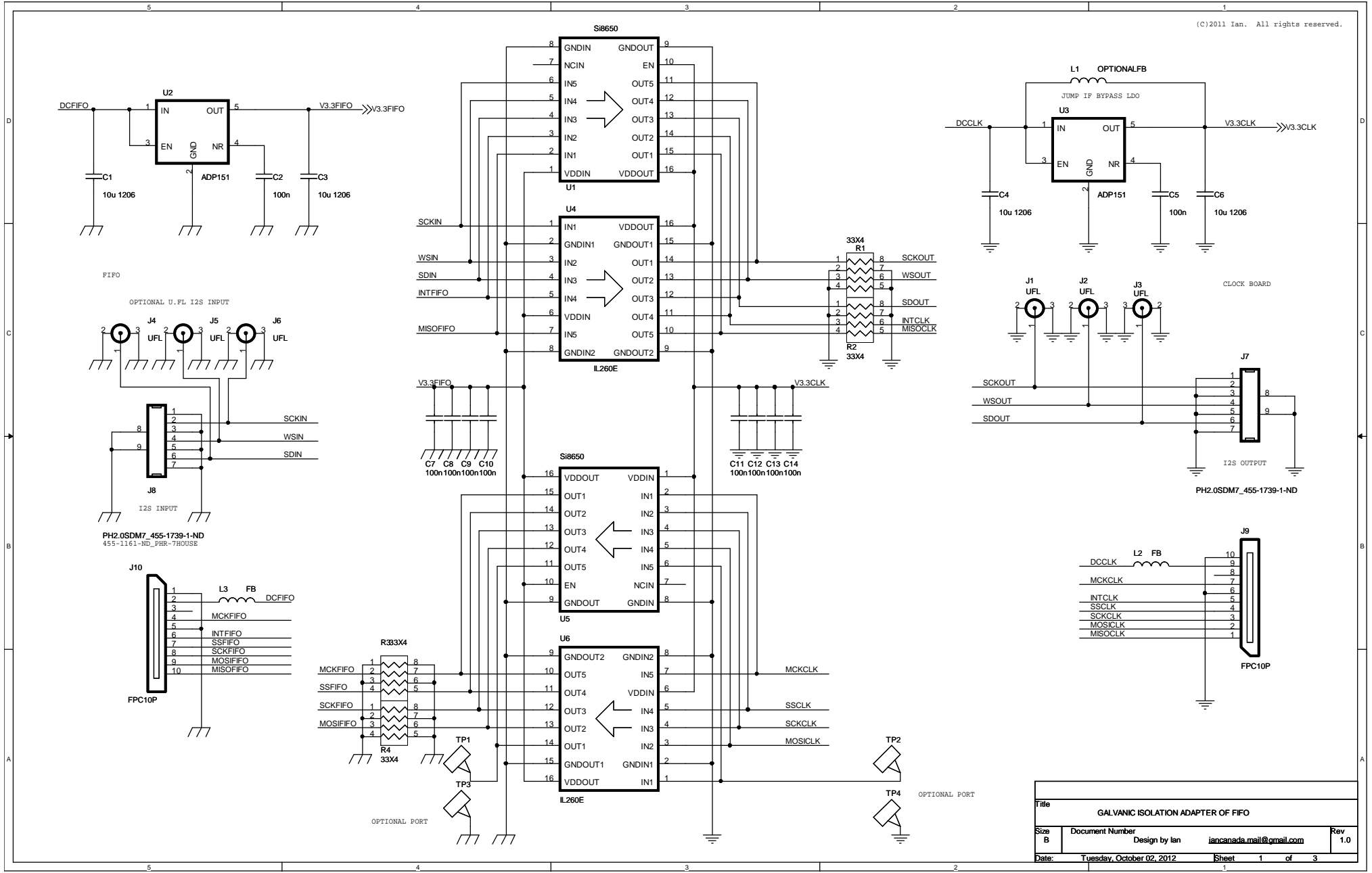
**Additional universal isolator**

(No need assemble if don't use)

U7: IL715/IL716/IL717  
or Si8440BB/Si8441BB/Si8442BB

R5,R6: 22K\*4 YC164J-22KCT-ND

Title			
BOM OF ISOLATION ADAPTER OF FIFO			
Size	Document Number	Design by Ian	Rev
A		iancanada.mail@gmail.com	1.0
Date:	Sunday, September 30, 2012	Sheet	3 of 3



Title		
GALVANIC ISOLATION ADAPTER OF FIFO		
Size B	Document Number	Rev 1.0
Date:	Design by Ian	iancanada.mail@gmail.com
Tuesday, October 02, 2012	Sheet	1 of 3