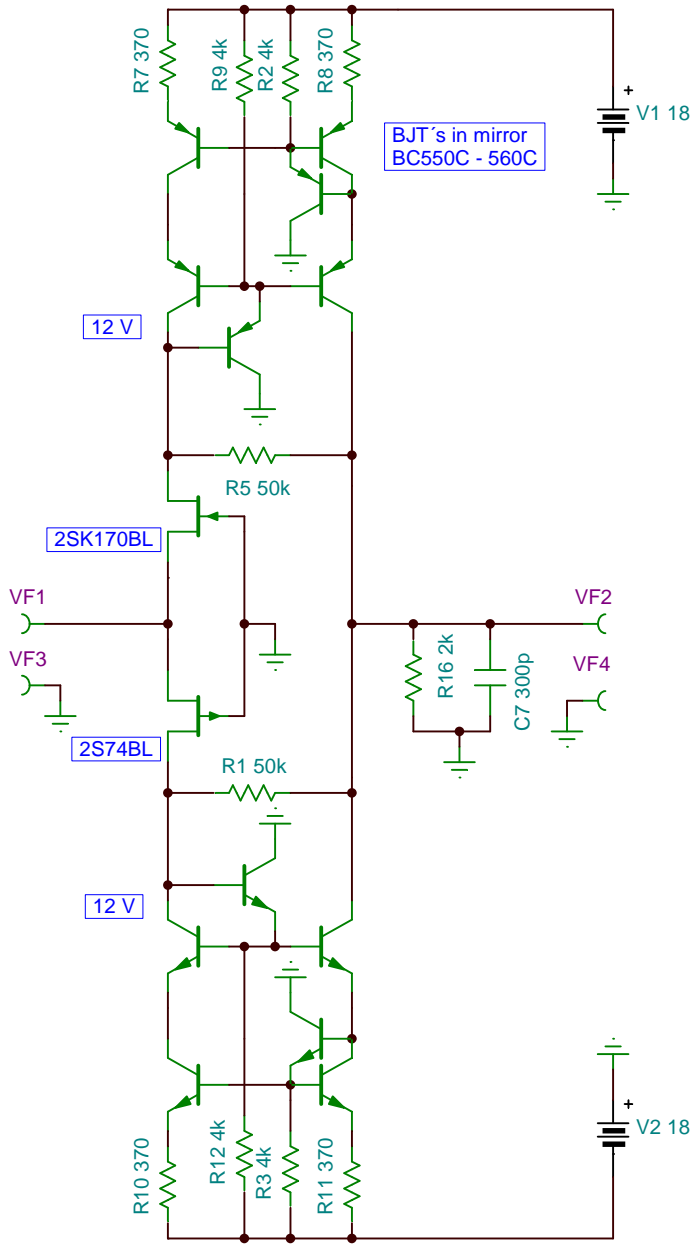


T10 !PNP

T7 !PNP

T12 !NPN

T15 !NPN



T11 !PNP

T9 !PNP  
T16 !NPN  
T8 !PNP  
T14 !NPN  
T13 !NPN

T1 2N2608



T6 !NPN