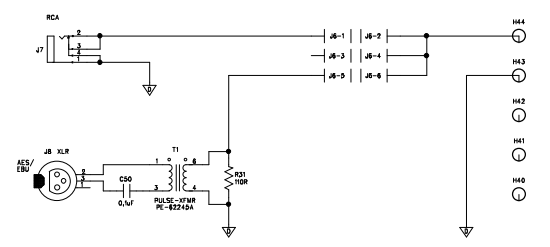
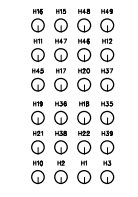
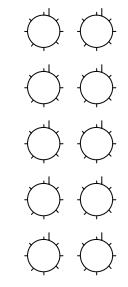
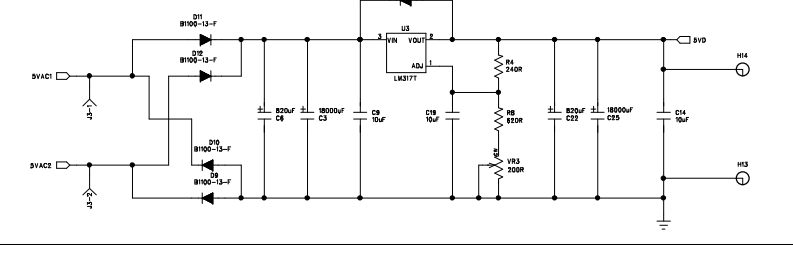
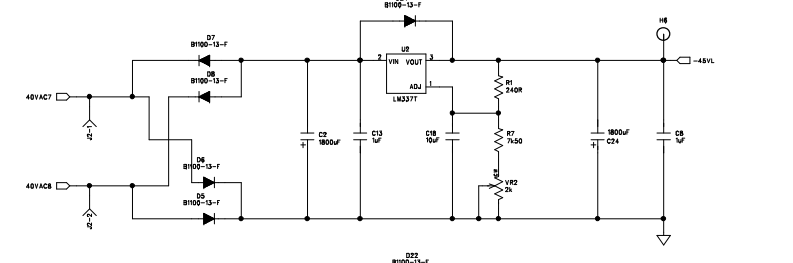
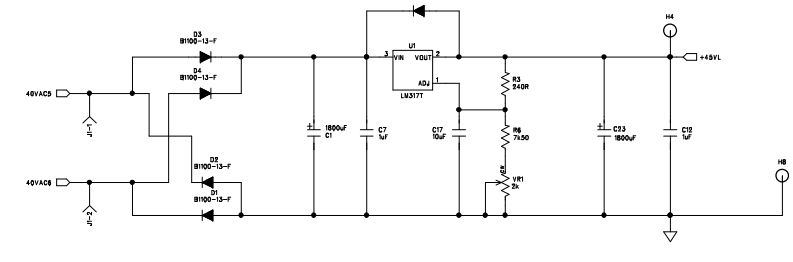
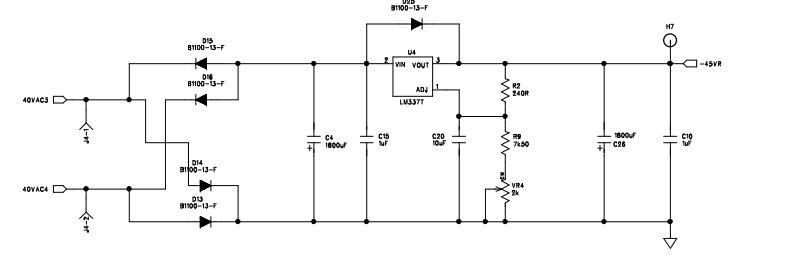
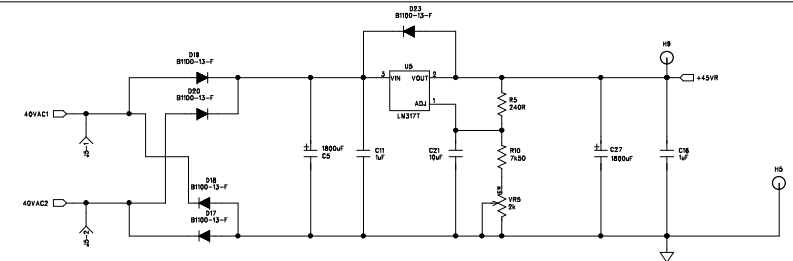
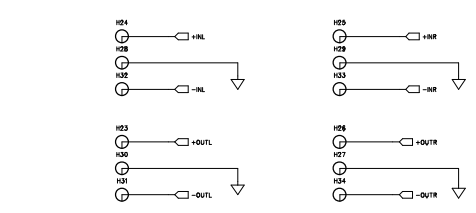
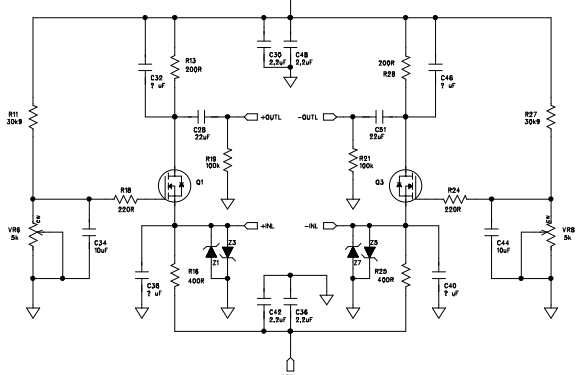
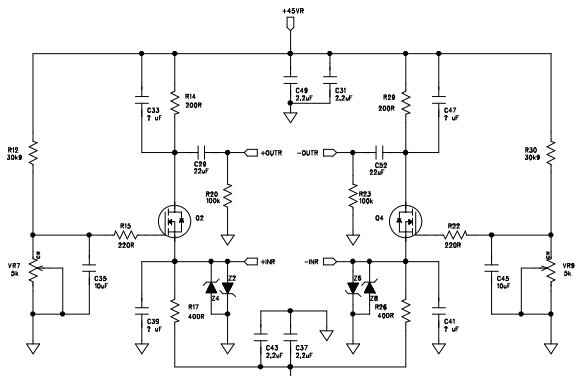


REVISION RECORD			
LTR	ECO NO.	APPROVER:	DATE:



COMPANY:		TITLE:		DRAWING NO:		REV:	
DRAWN:	DATE:	CODE:	SIZE:	DRAWING NO:		REV:	
CHECKED:	DATE:	SCALE:		SHEET:		OF:	
QUALITY CONTROL:	DATE:	SCALE:		SHEET:		OF:	
RELEASED:	DATE:	SCALE:		SHEET:		OF:	