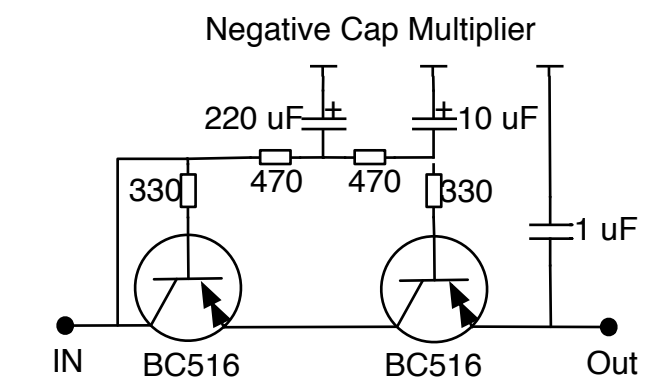
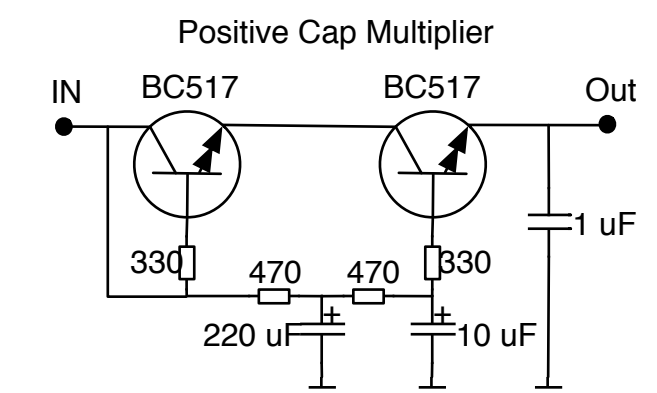
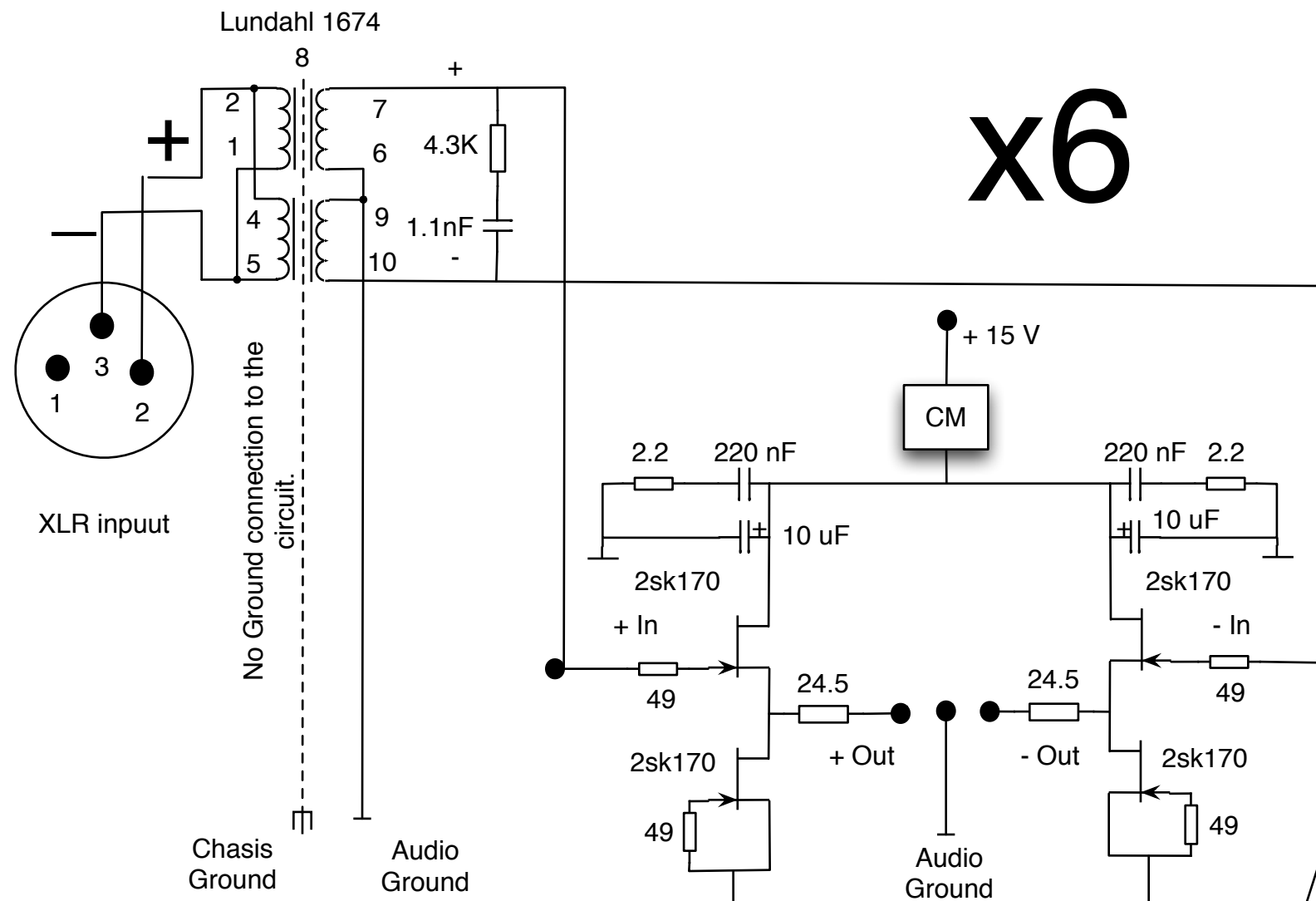


x6

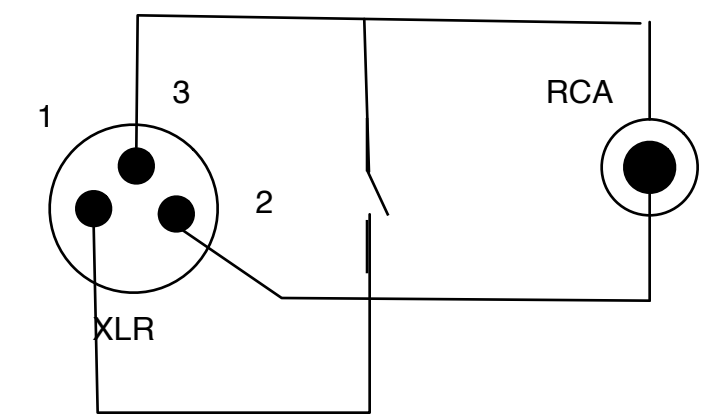


1. Input to Lundahl 1674 transformer female XLR Neutric circuit board mount. Only pins 2 and 3 connected. Pin No.1 no connection. XLR metal housing all connected to each other.

2. Output from buffer goes to 24 pin female PC mount and to plated holes as well

3. Separate board, holds 6 male XLRs, Neutric pc mount with XLR and banana input in the same connector, 6 RCA connections and 6 switches in order to make selection between balanced and single ended output.

4. Input to XLR output board holes and 24 pc mount female plug

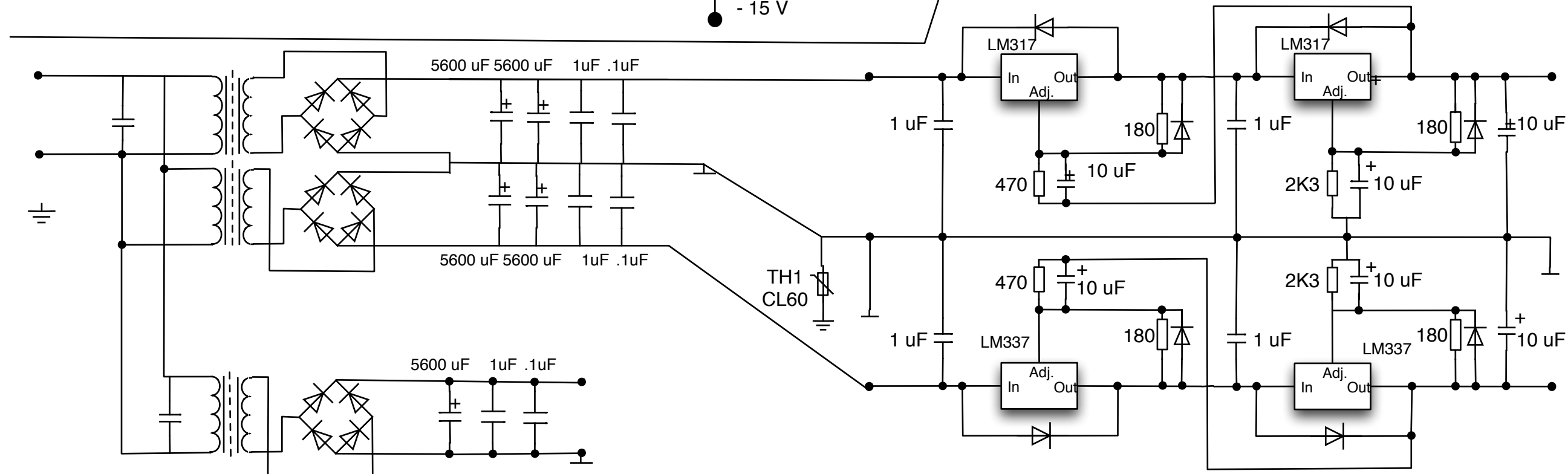


Output Board

x6

Input and buffer Board

Power supply board



Here same regulator circuit but just a positive portion