

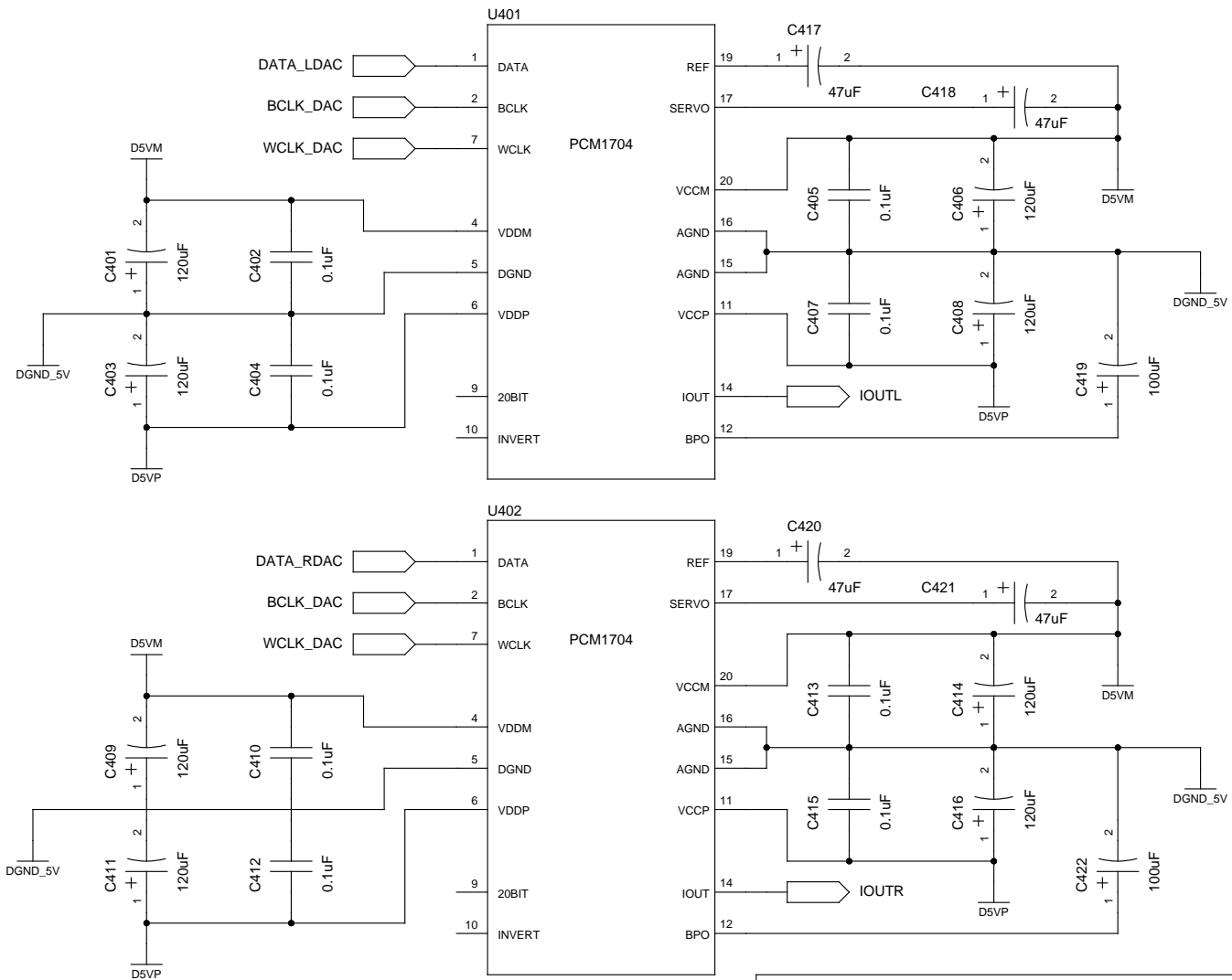
TITLE DACv1: Digital Interpolation Filter

FILE: filter.sch

REVISION:

PAGE 3 OF 16

DRAWN BY: Bradley Worley



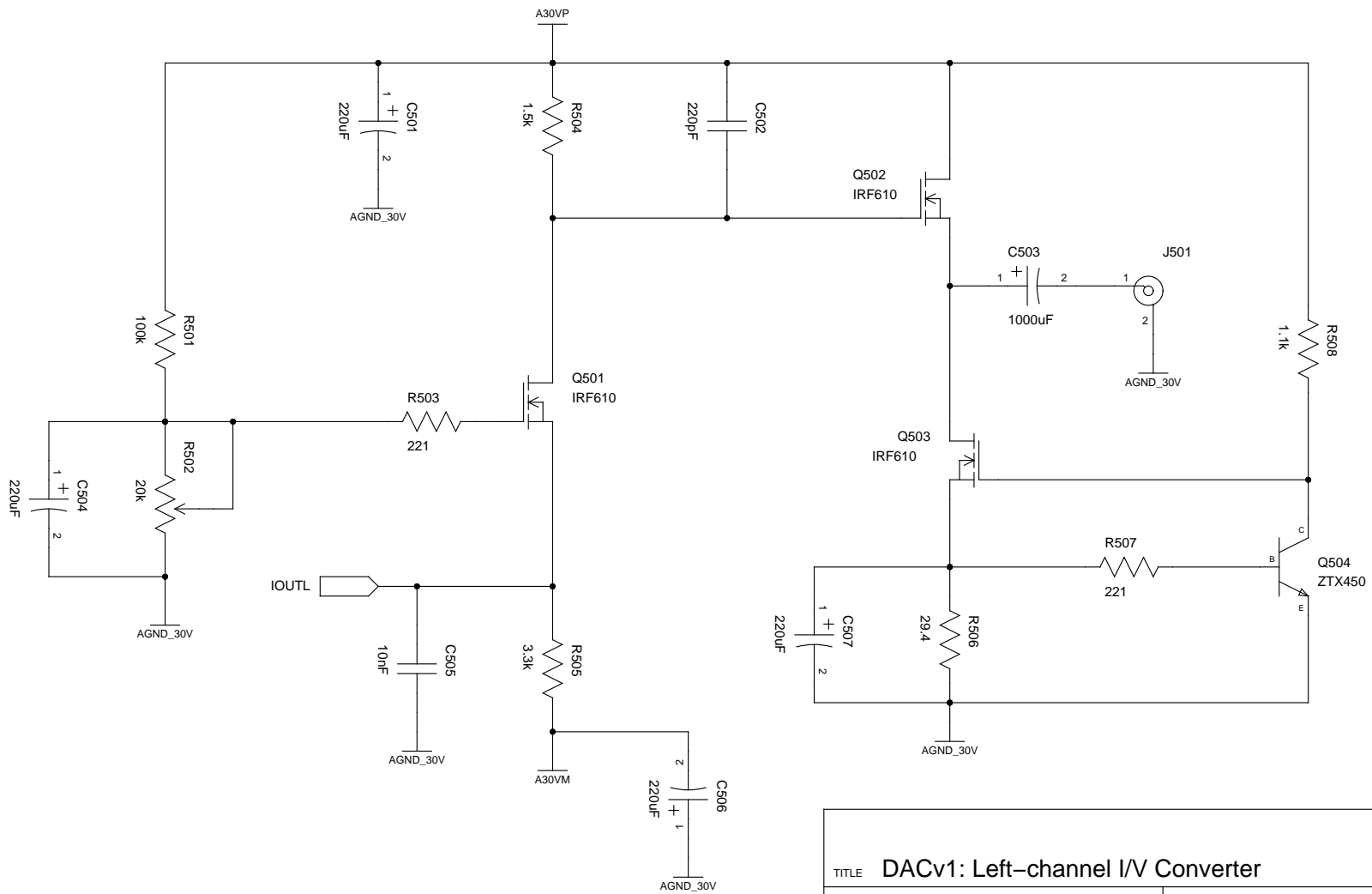
TITLE DACv1: Digital-to-Analog Converters

FILE: dacs.sch

REVISION:

PAGE 4 OF 16

DRAWN BY: Bradley Worley



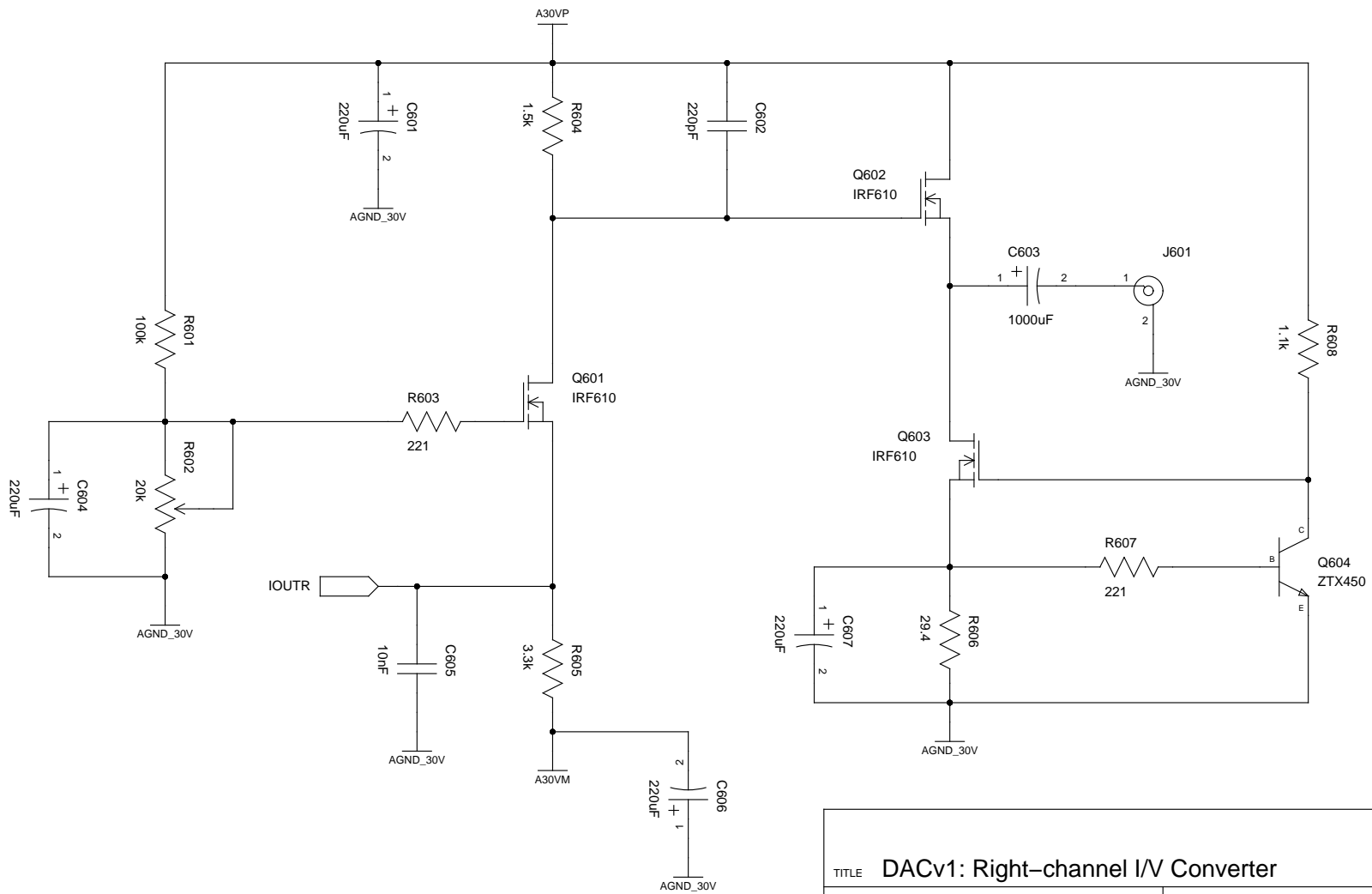
TITLE DACv1: Left-channel I/V Converter

FILE: ivleft.sch

REVISION:

PAGE 5 OF 16

DRAWN BY: Bradley Worley



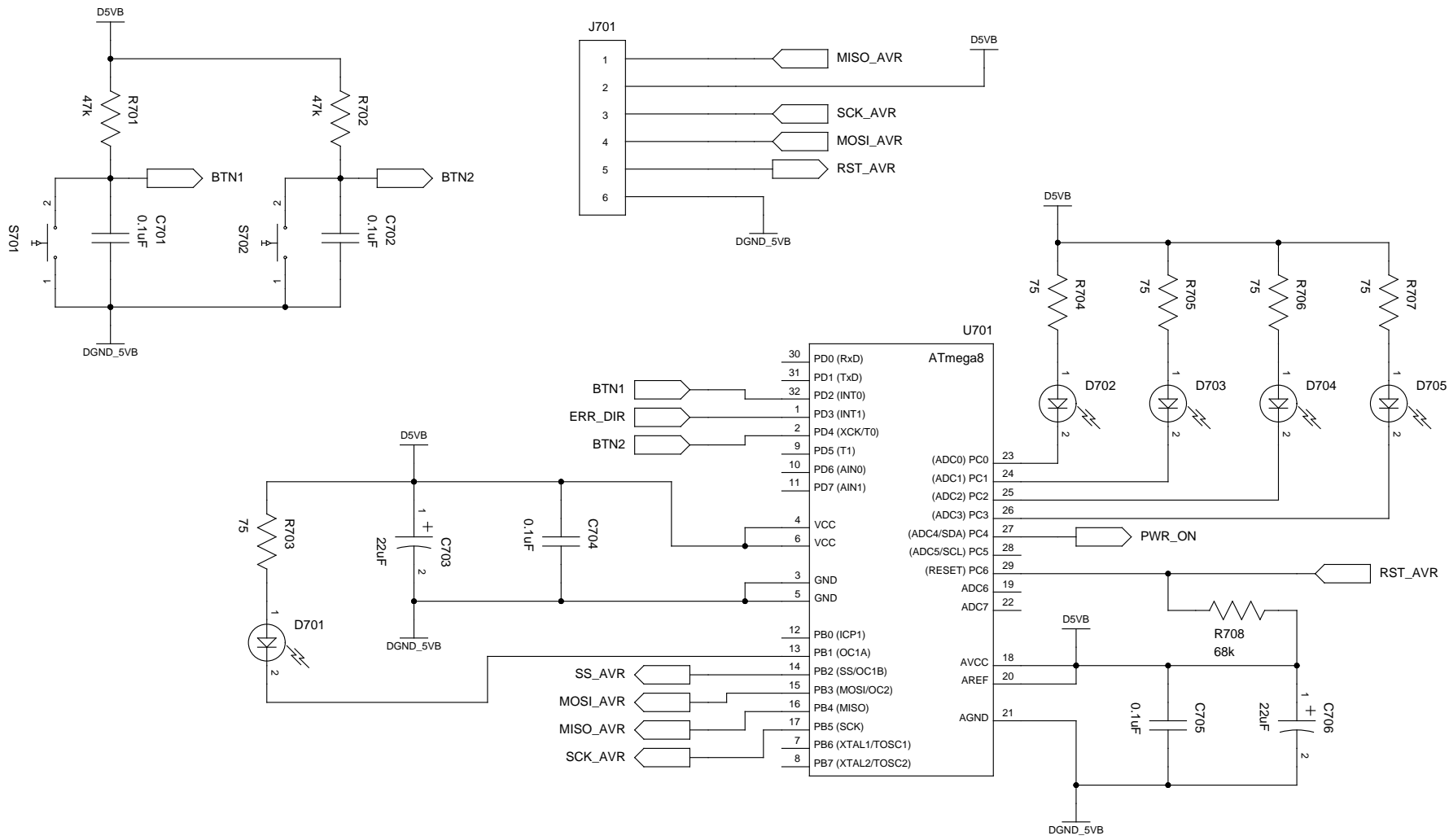
TITLE DACv1: Right-channel I/V Converter

FILE: ivright.sch

REVISION:

PAGE 6 OF 16

DRAWN BY: Bradley Worley



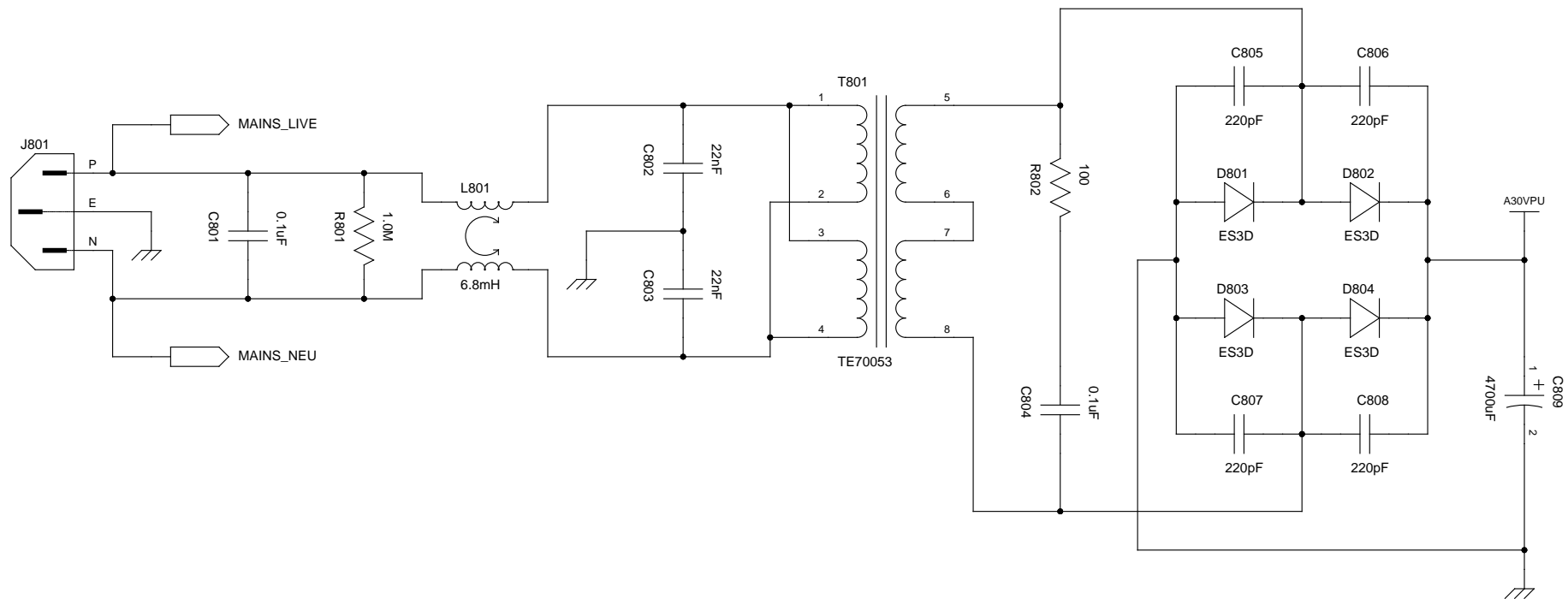
TITLE **DACv1: Motherboard and User Interface**

FILE: **mobo.sch**

REVISION:

PAGE **7** OF **16**

DRAWN BY: **Bradley Worley**



TITLE **DACv1: +30Vdc Power Supply**

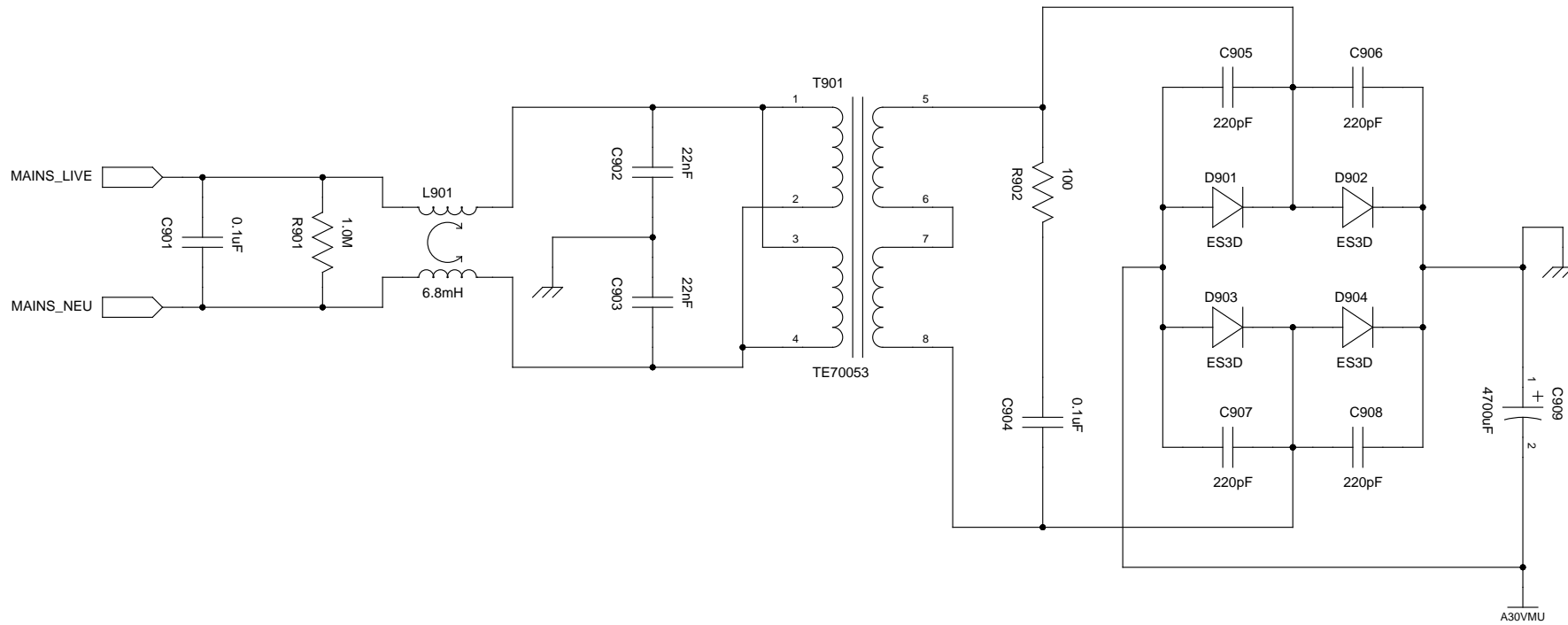
FILE: ps30vp.sch

REVISION:

PAGE **8** OF **16**

DRAWN BY: **Bradley Worley**





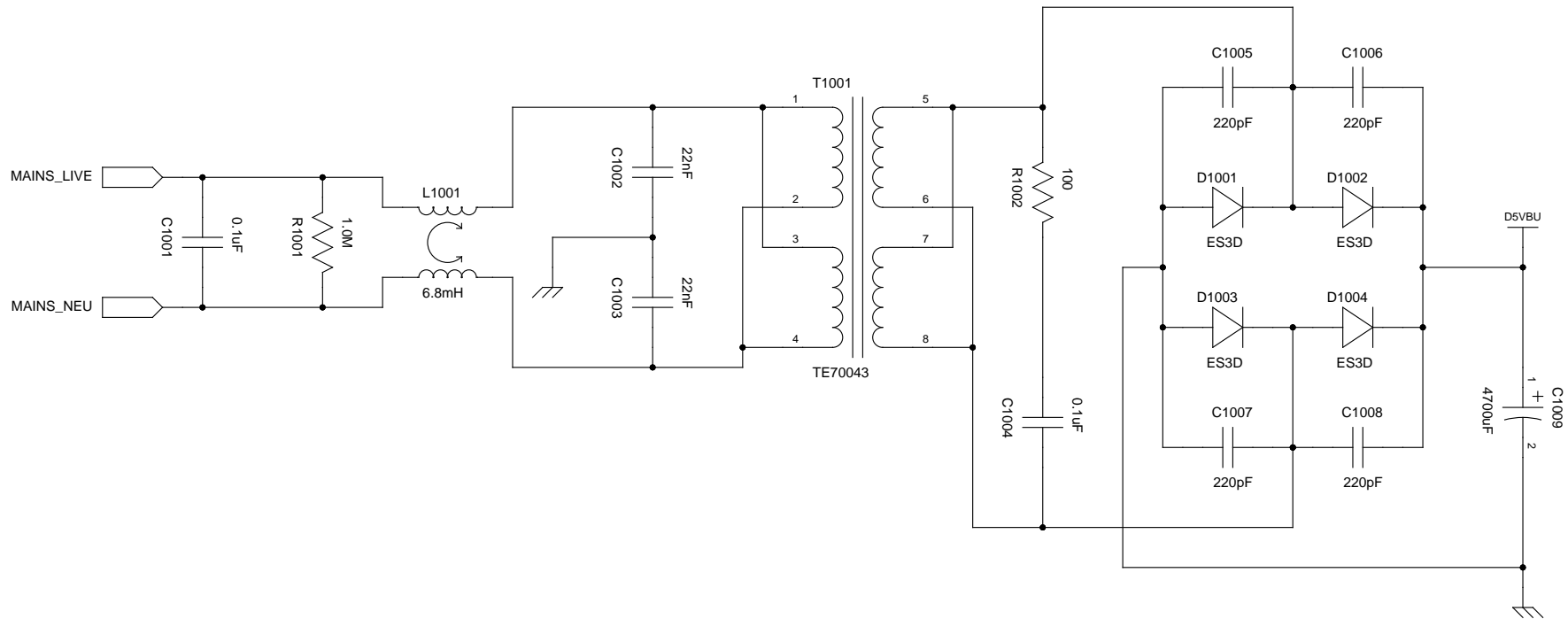
TITLE DACv1: -30Vdc Power Supply

FILE: ps30vn.sch

REVISION:

PAGE 9 OF 16

DRAWN BY: Bradley Worley



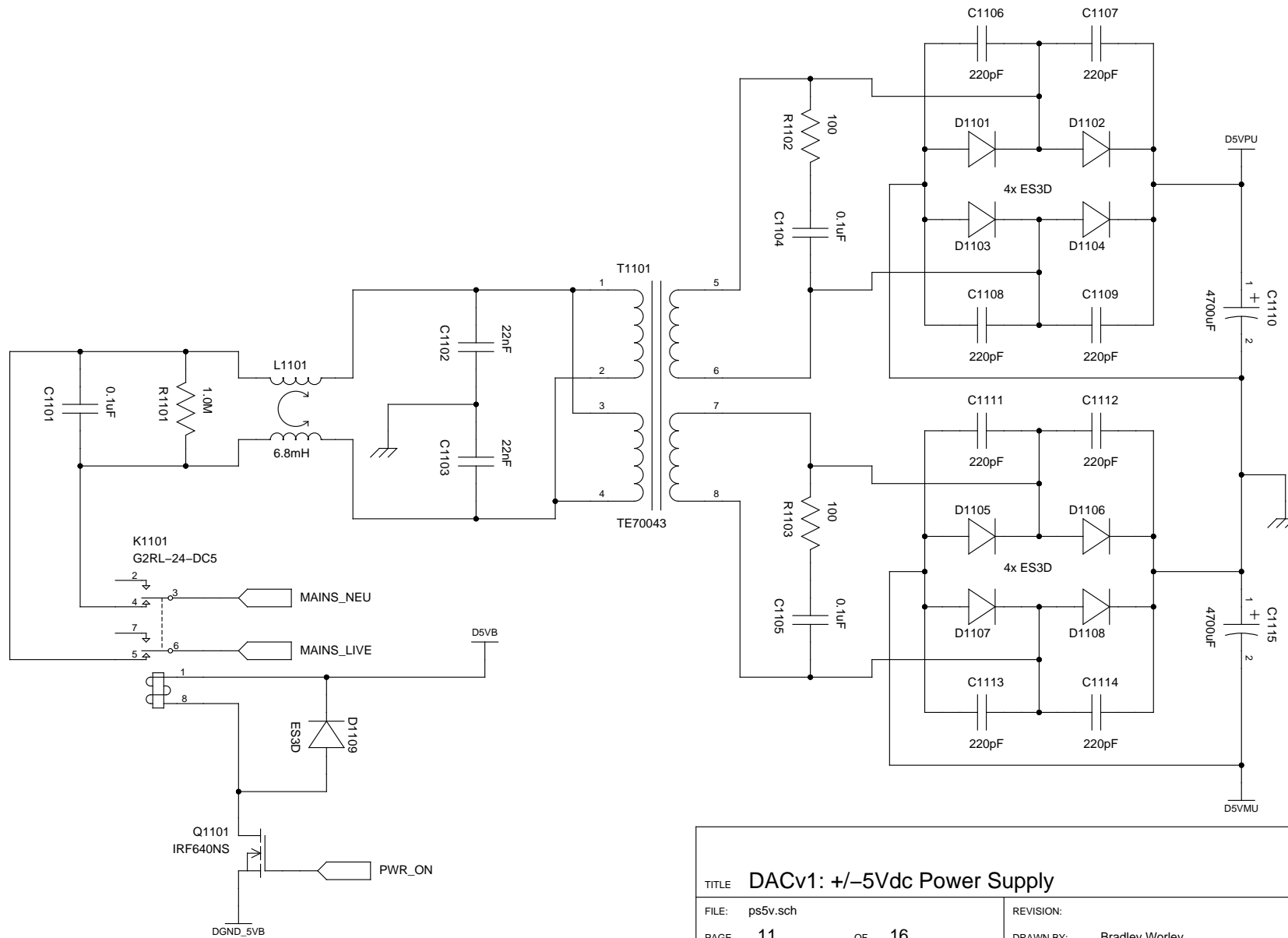
TITLE **DACv1: +5Vdc Motherboard Power Supply**

FILE: ps5vb.sch

REVISION:

PAGE 10 OF 16

DRAWN BY: Bradley Worley



TITLE DACv1: +/-5Vdc Power Supply

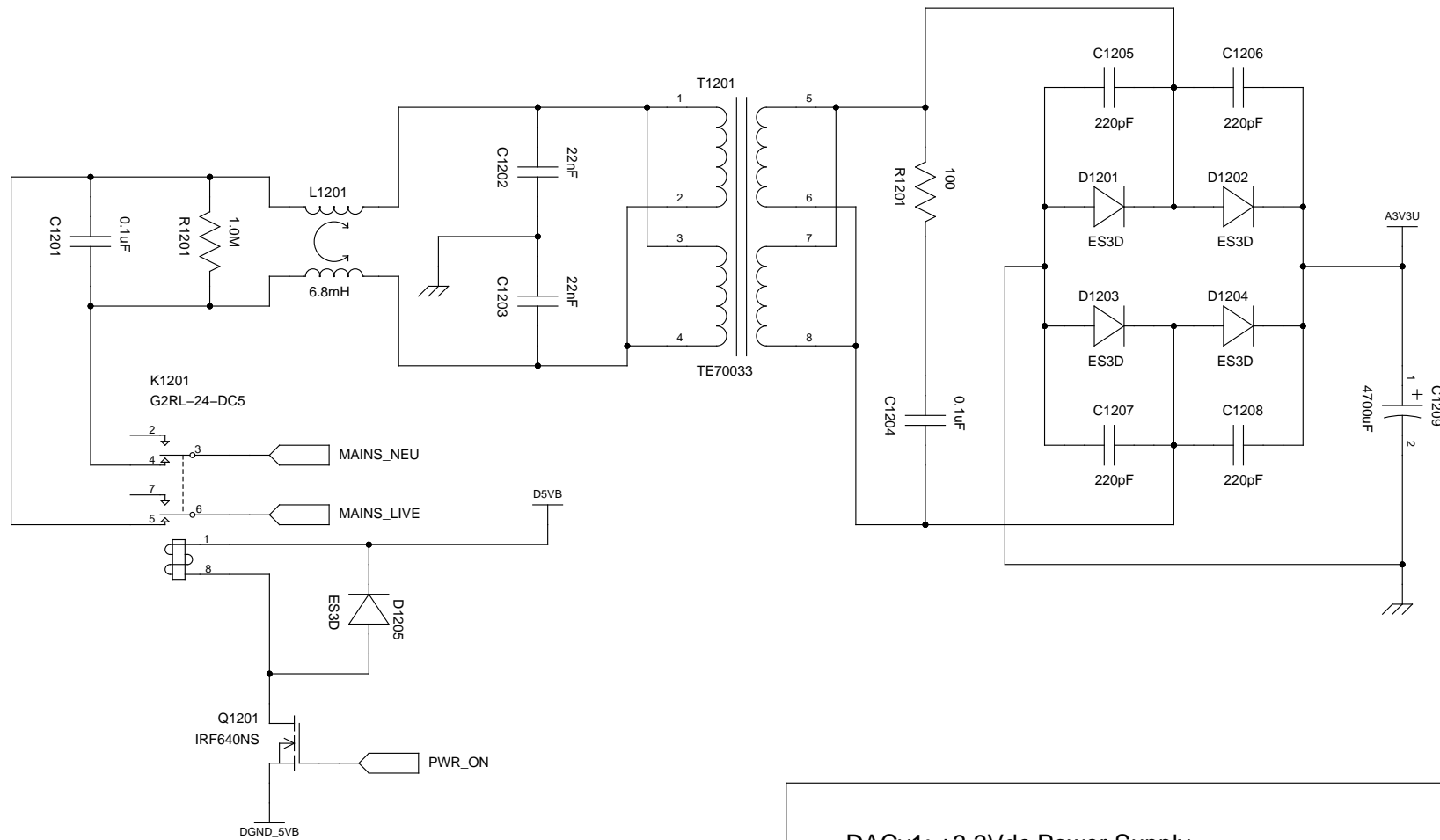
FILE: ps5v.sch

REVISION:

PAGE 11

OF 16

DRAWN BY: Bradley Worley



TITLE DACv1: +3.3Vdc Power Supply

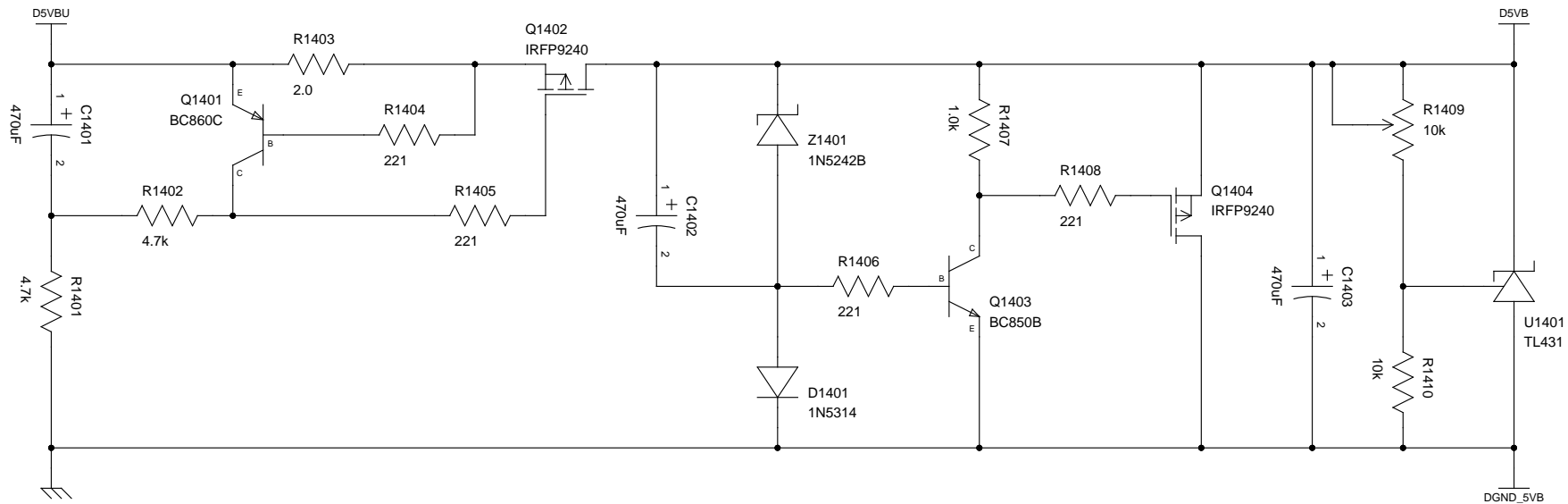
FILE: ps3v3.sch

REVISION:

PAGE 12 OF 16

DRAWN BY: Bradley Worley





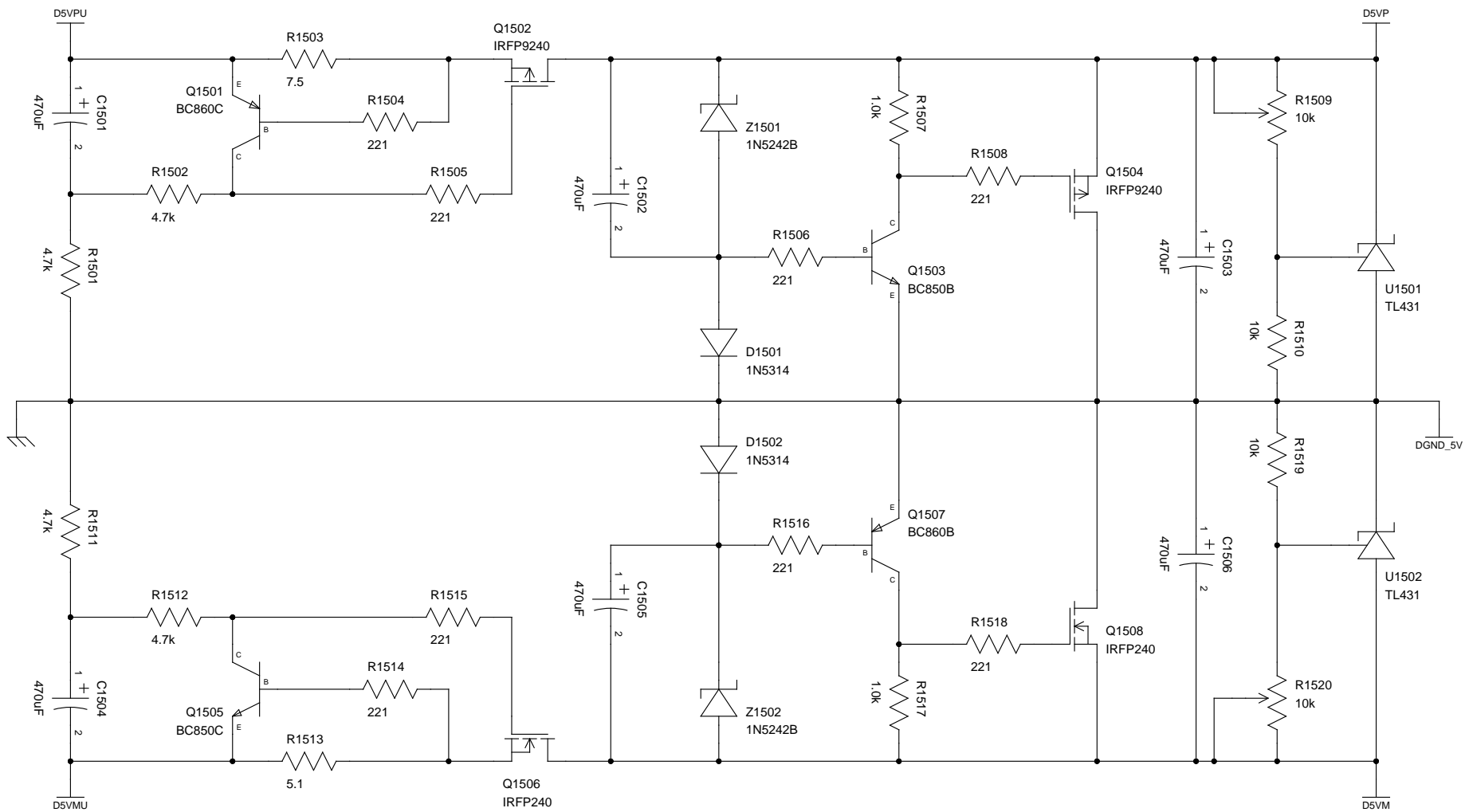
TITLE DACv1: +5Vdc Motherboard Regulator

FILE: reg5vb.sch

REVISION:

PAGE 14 OF 16

DRAWN BY: Bradley Worley



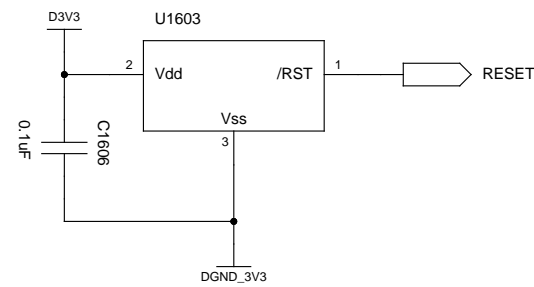
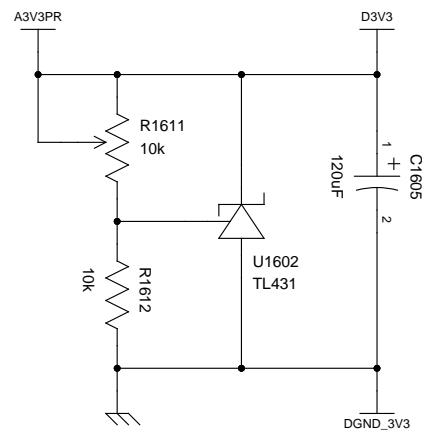
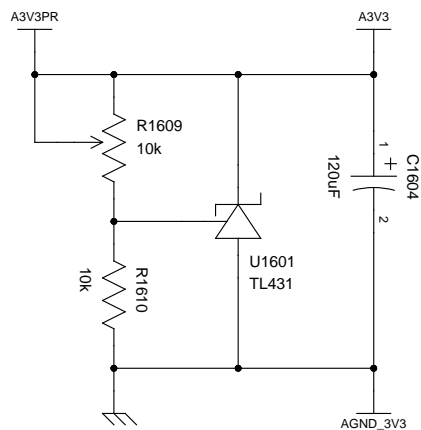
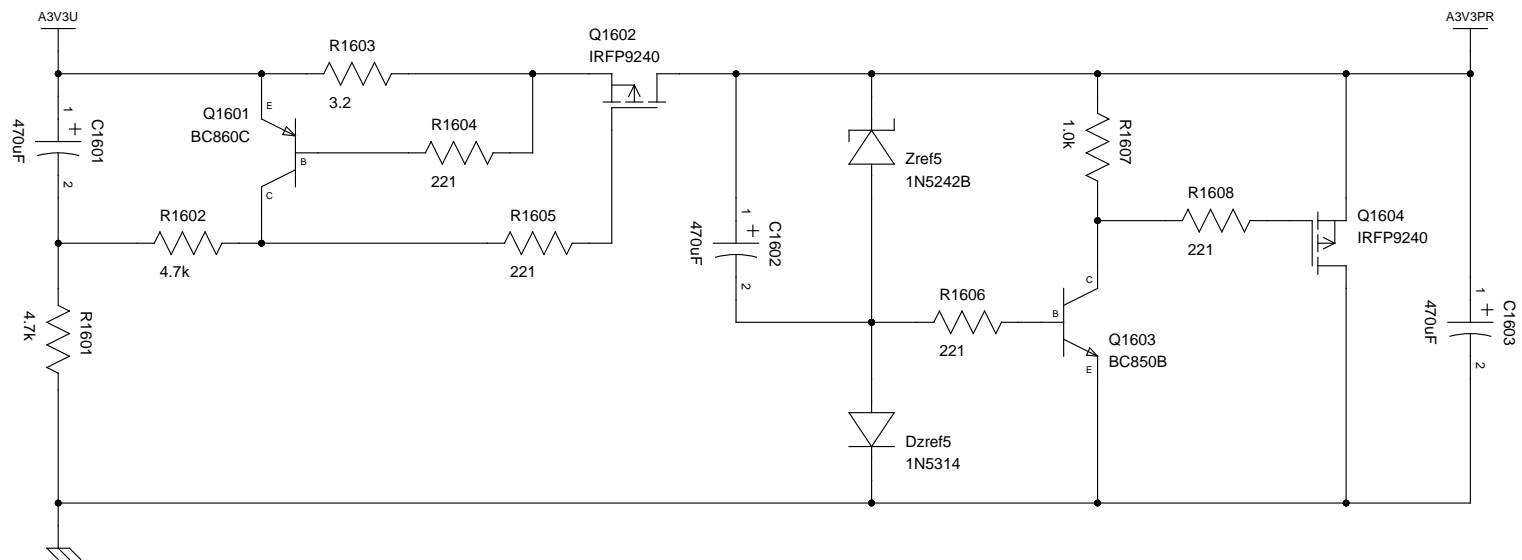
TITLE DACv1: +/-5Vdc DAC Linear Regulator

FILE: reg5v.sch

REVISION:

PAGE 15 OF 16

DRAWN BY: Bradley Worley



TITLE <b>DACv1: +3.3Vdc DAC Linear Regulator</b>		
FILE: reg3v3.sch	REVISION:	
PAGE 16	OF 16	DRAWN BY: Bradley Worley