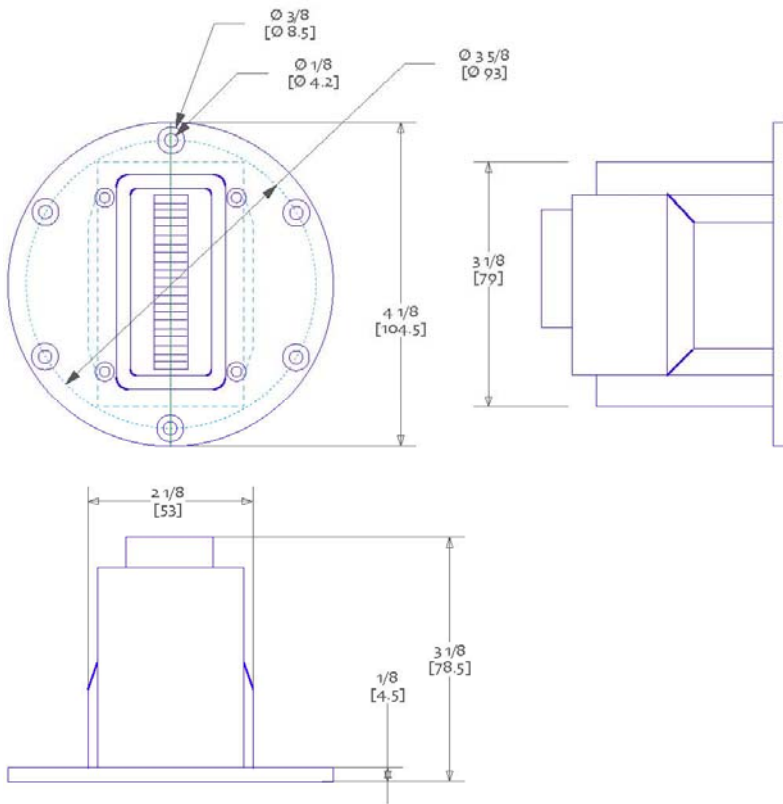




RT2 High Performance True Ribbon



The RT2 is a new true ribbon tweeter from Creative Sound Solutions. It features a non-corrugated honeycomb aluminum ribbon with an area of 510 mm² and a mass of only 16 mg. With a flat impedance of 6 ohms, rated power of 30W, sensitivity of 91dB/W/m, it is capable of excellent dynamic range.

Frequency range is 1.7 to 30 kHz with a recommended 2.5 kHz 3rd order crossover.



Alternate face plates 106H X 106W X 6Tmm and replacement ribbon elements are available.

Preliminary Measurements

