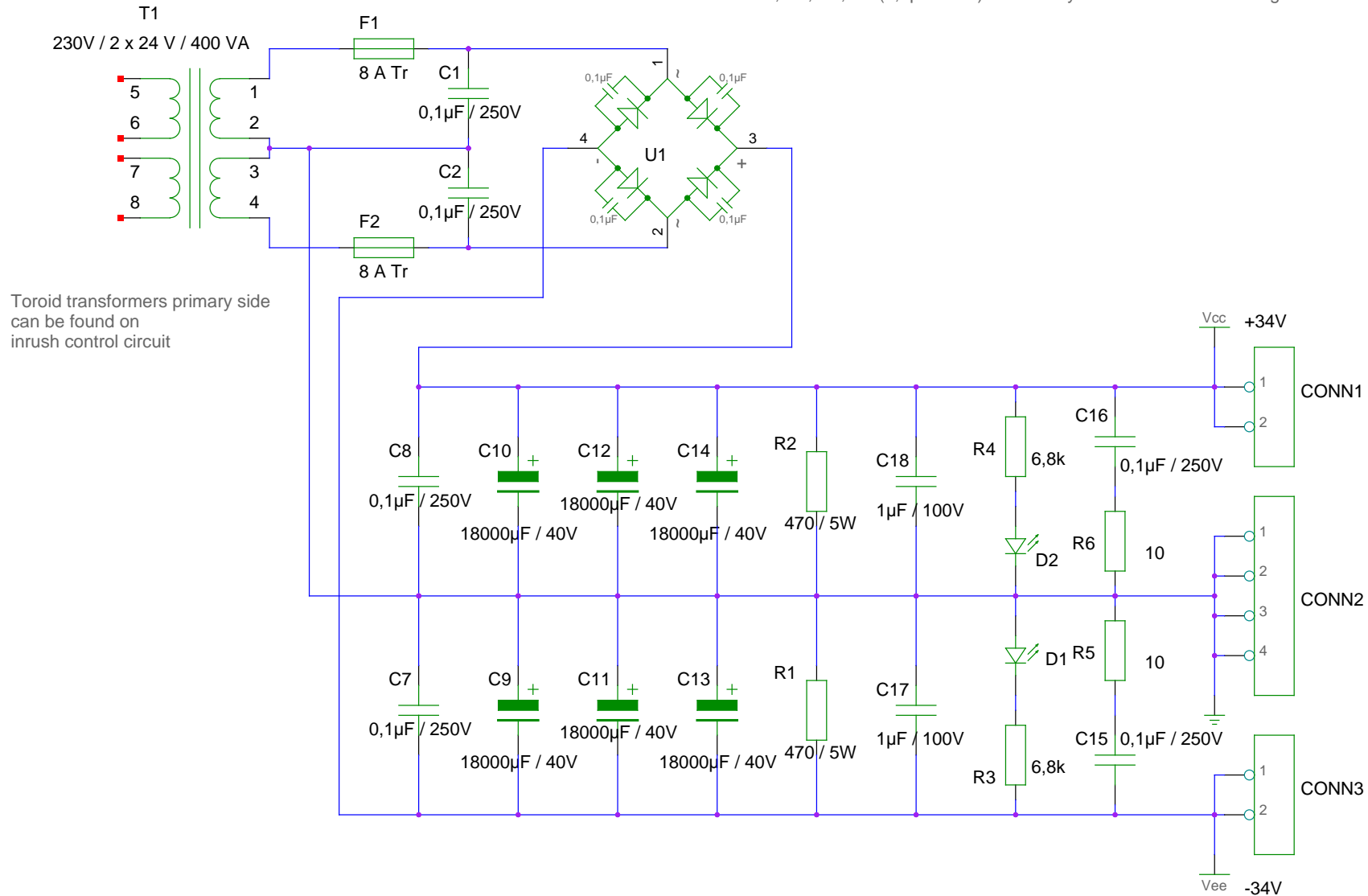


C3, C4, C5, C6 (0,1µF/250V) are directly mounted at rectifier bridge



TITLE Power Supply for one audio channel

FILE: class_d_powersupply.sch

REVISION: 1.0, 2012.01.01

PAGE 1 OF 1

DRAWN BY: (c) astx@aws-it.at