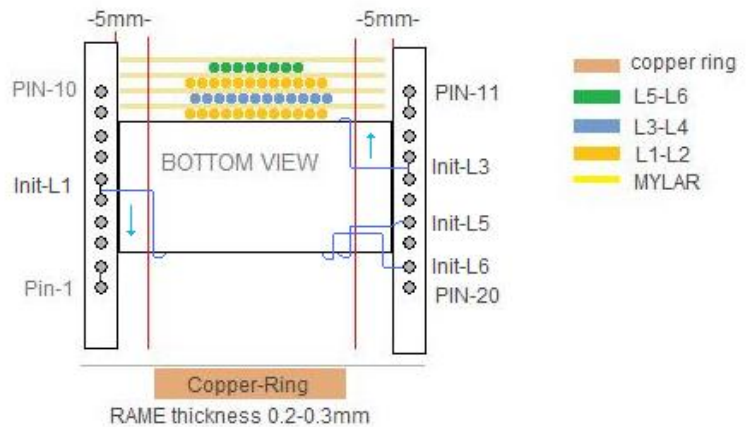
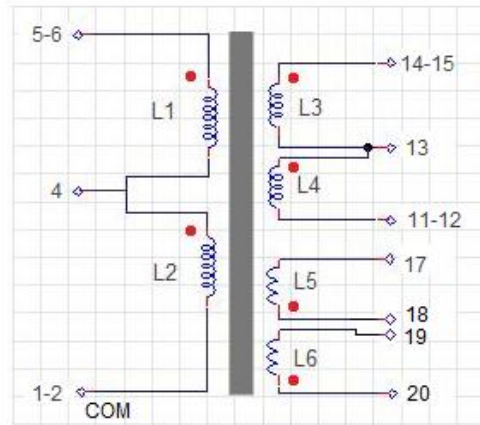


# ETD-49 Mod.2409 Rev1.1

Iso test 3,5kV Required (primary to secondary-open loop)



## Wire specifications:

(L1-L2) .....class-iso.....type.....  
 (L3-L4) .....class-iso.....type.....  
 (L5-L6) .....class-iso.....type.....

## Turns:

(L1) =12 Turns  
 (L2) =12 Turns  
 (L3) = 9 Turns  
 (L4) = 9 Turns  
 (L5) = 4 Turns  
 (L6) = 4 Turns

## Sequence:

**L1:** Single wire,start **from** (5-6) **to** (4),counterclockwise,12 turns compact.  
 Mylar closed ( turns.....,thickness .....)  
**L3-L4:** Double Wire,start **from**(L3 at pin 14)-(L4 at pin 13) **to** (L3 at pin 13) L4 at pin 11-12),clockwise,  
 9 Turns,Compact.  
 Mylar closed (turns.....,thickness .....)  
**L2:**Single wire,start **from**(4) **to** (1-2),counterclockwise,12 Turns,Compact.  
 Mylar closed (turns.....,thickness .....)  
**L5-L6:**Double Wire,start **from**(L5 at pin 17)-(L6 at pin 19) **to** (L5 at pin 18) L6 at pin 20),  
 counterclockwise.  
 Mylar closed (turns.....,thickness .....)

## Pool closure:

External Copper-Ring (Rame), thickness 0.2-0.3mm  
 not use external resin.