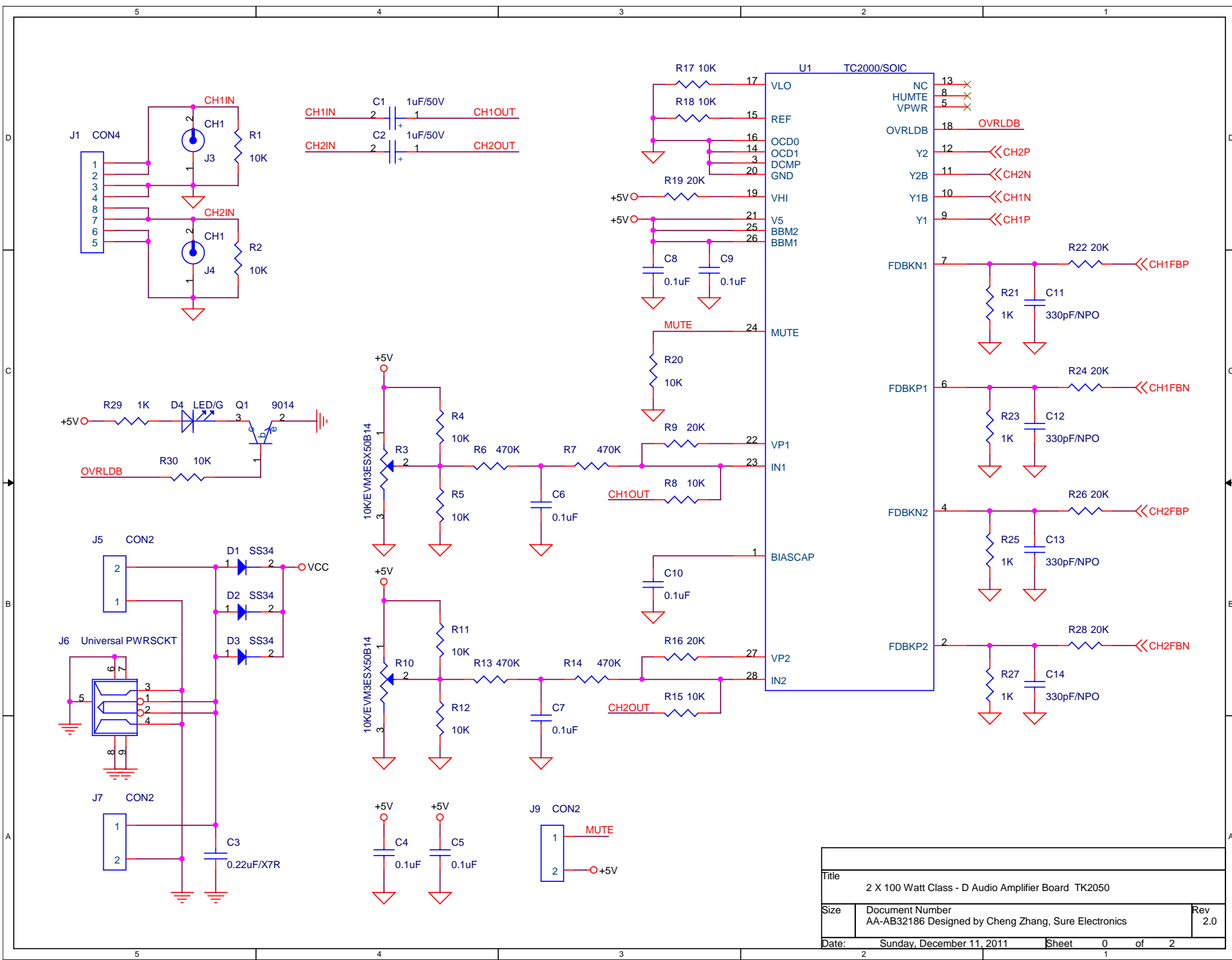


Title		
2 X 100 Watt Class - D Audio Amplifier Board TK2050		
Size	Document Number	Rev
	AA-AB32186 Designed by Cheng Zhang, Sure Electronics	2.0
Date:	Sunday, December 11, 2011	Sheet 0 of 2



Title		
2 X 100 Watt Class - D Audio Amplifier Board TK2050		
Size	Document Number	Rev
	AA-AB32186 Designed by Cheng Zhang, Sure Electronics	2.0
Date:	Sunday, December 11, 2011	Sheet 0 of 2