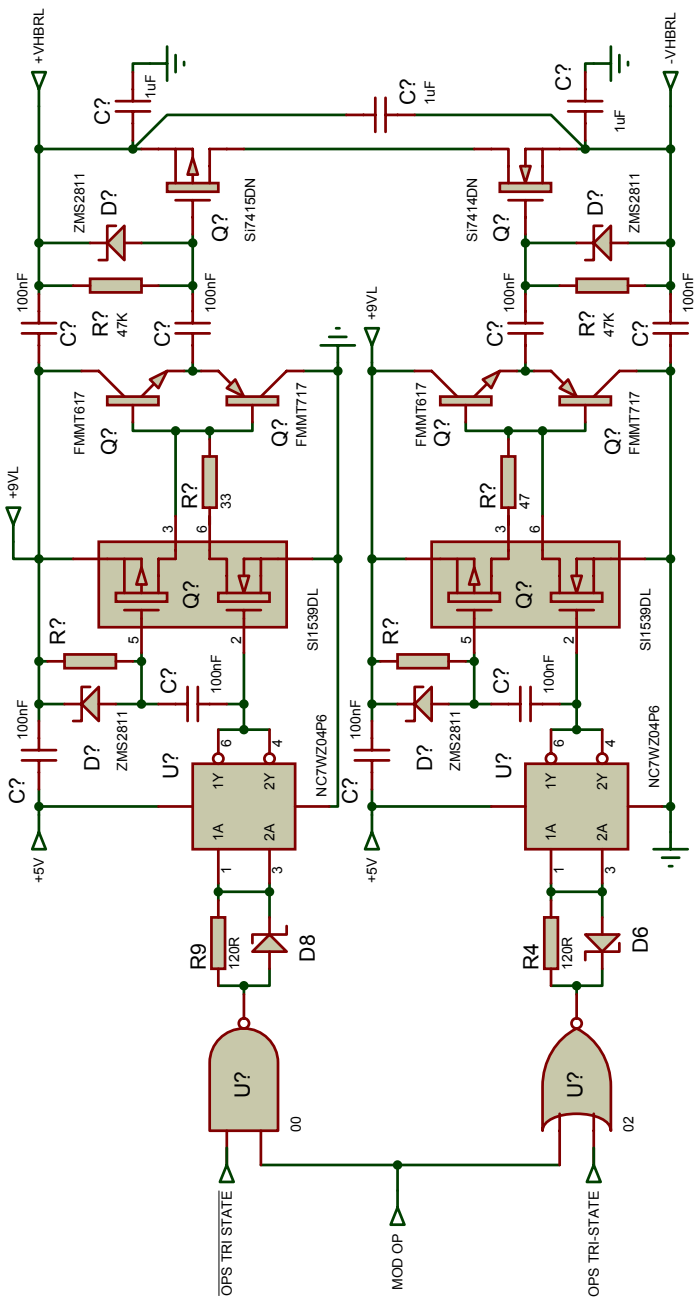


R1 15R Iq +/- 22mA @ 384KHz +/- 25V



Iq +/- 16mA @ 500KHz, +/- 25V No LC load