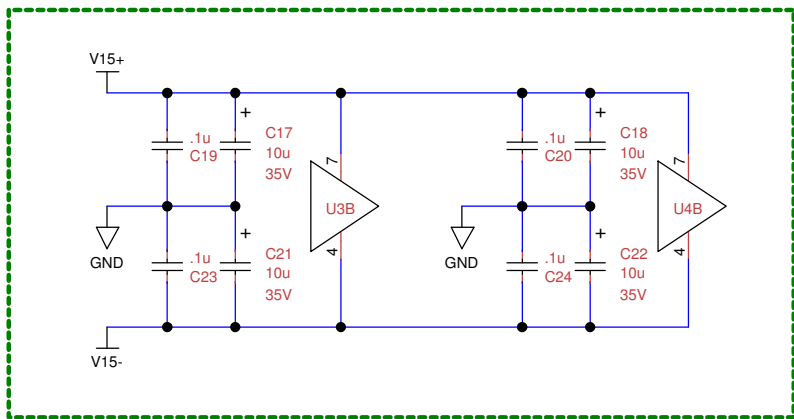
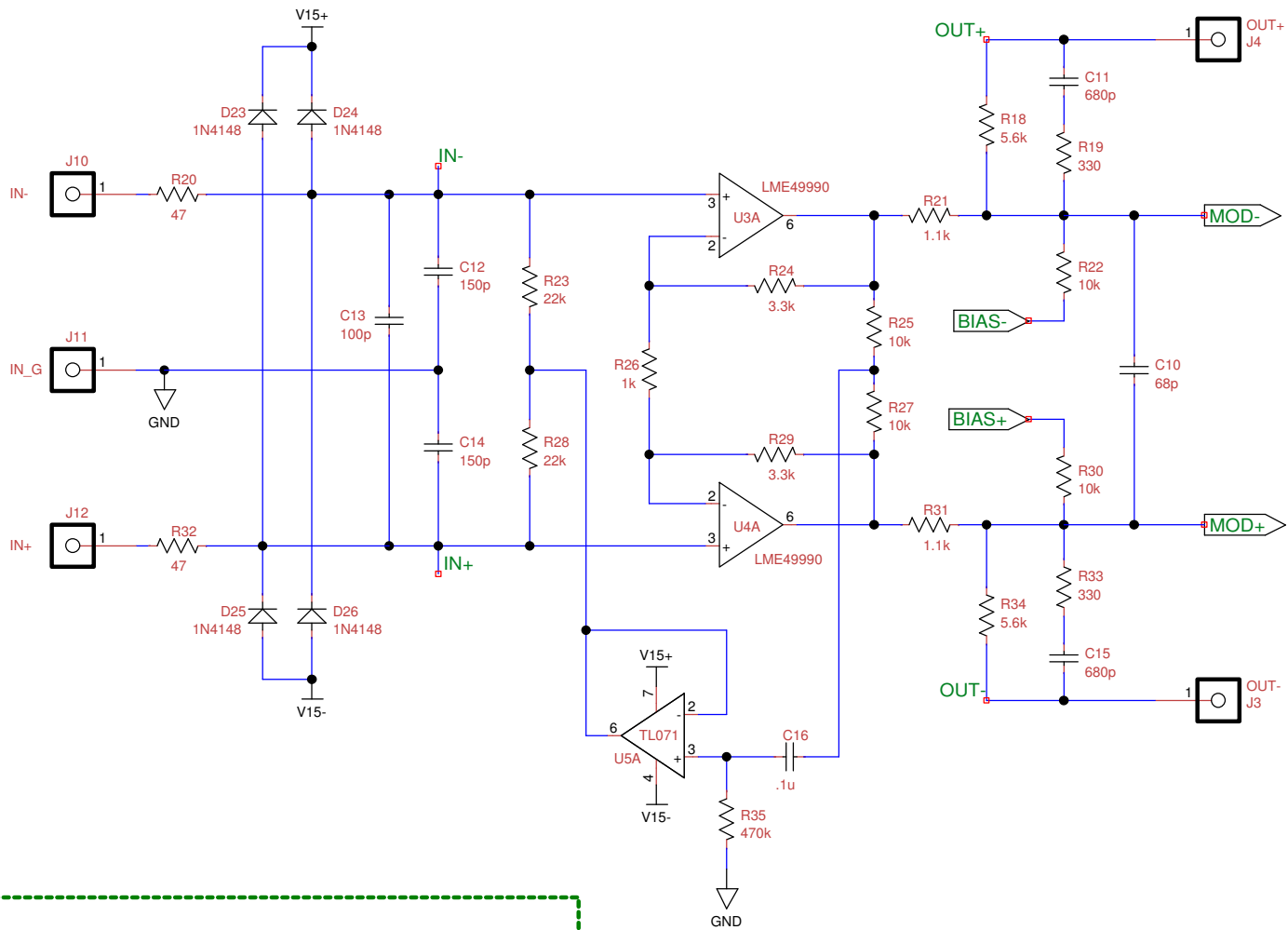
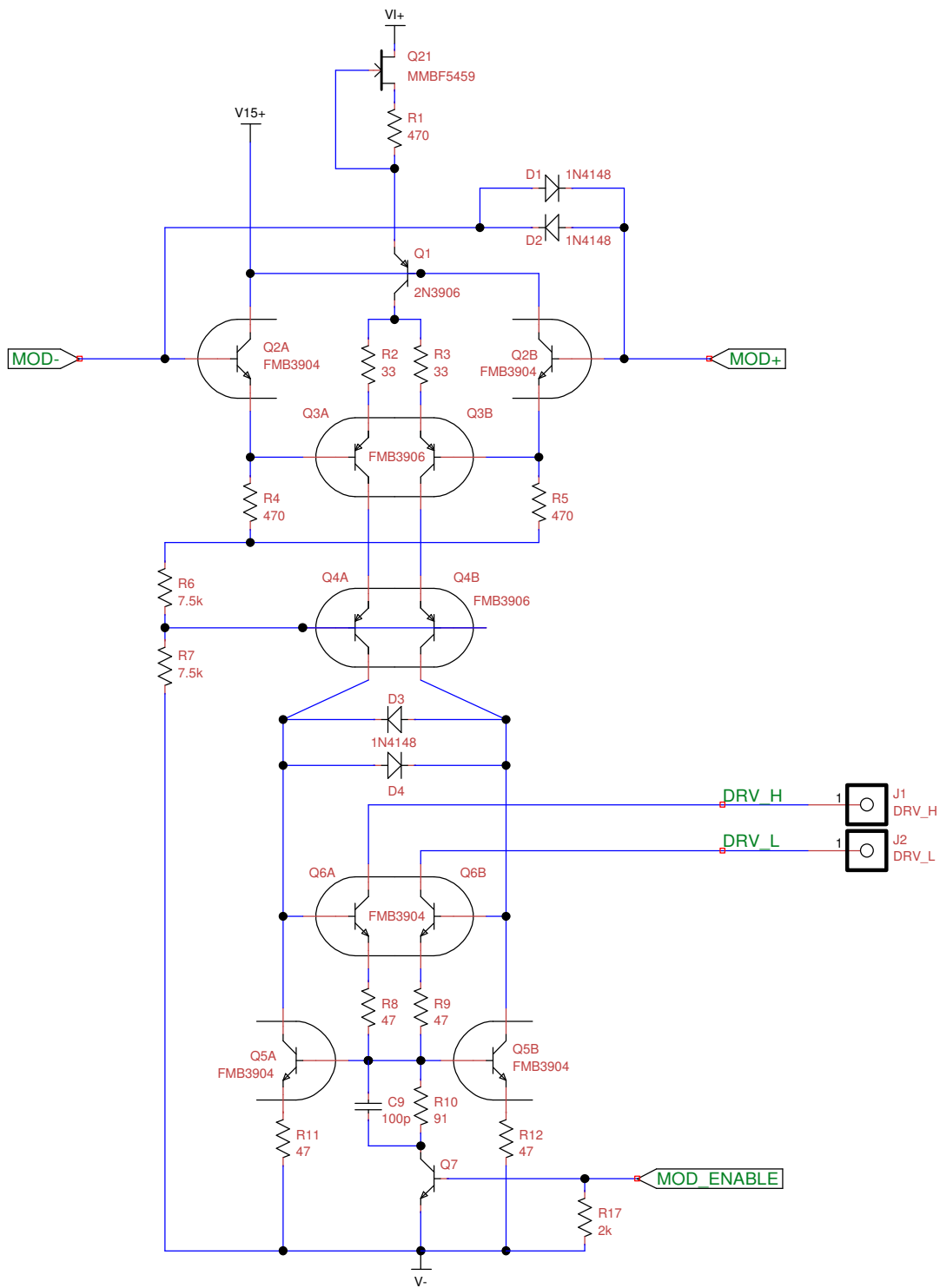


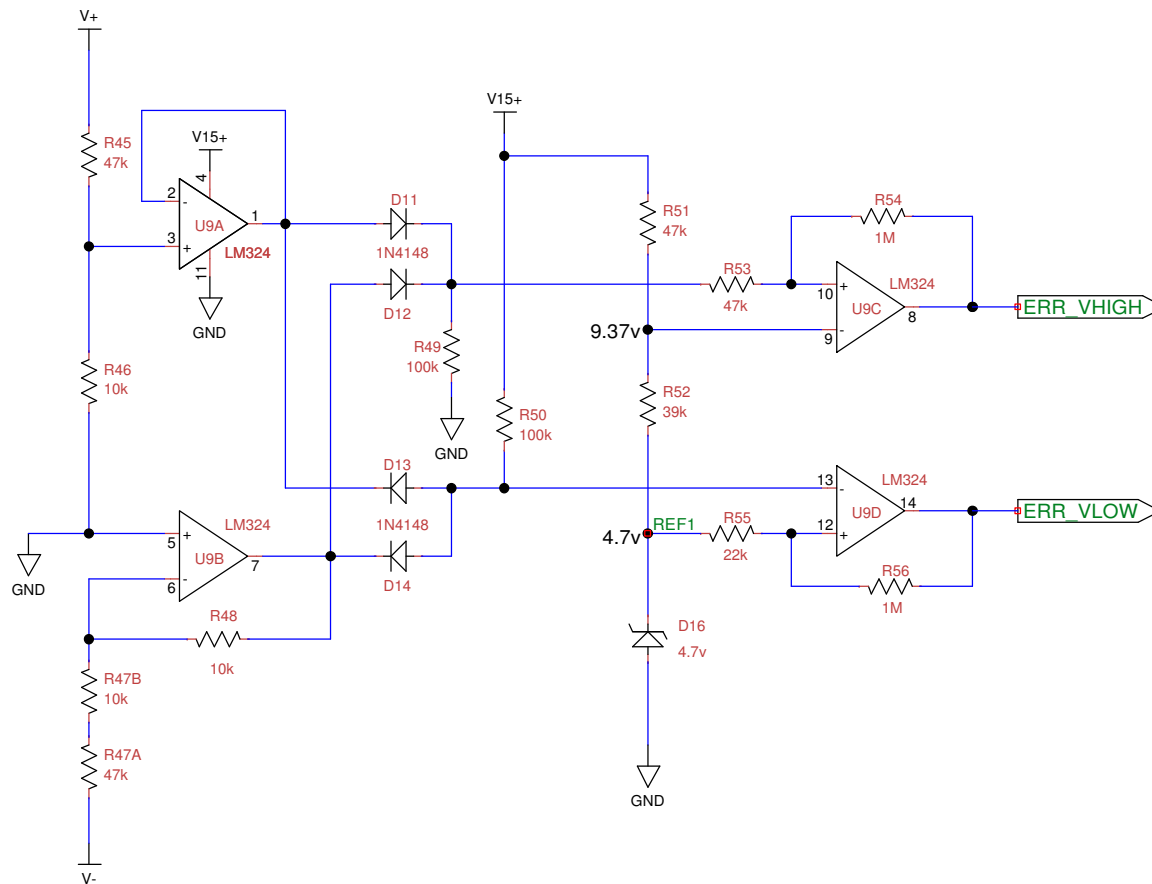
Title Local Power		
Author Brian Franchuk Mariposa Amplification		
File objects\amps\class_D\schematic\signal_board.dsn	Document	
Revision 1.52	Date 3/25/2012	Sheets 1 of 7



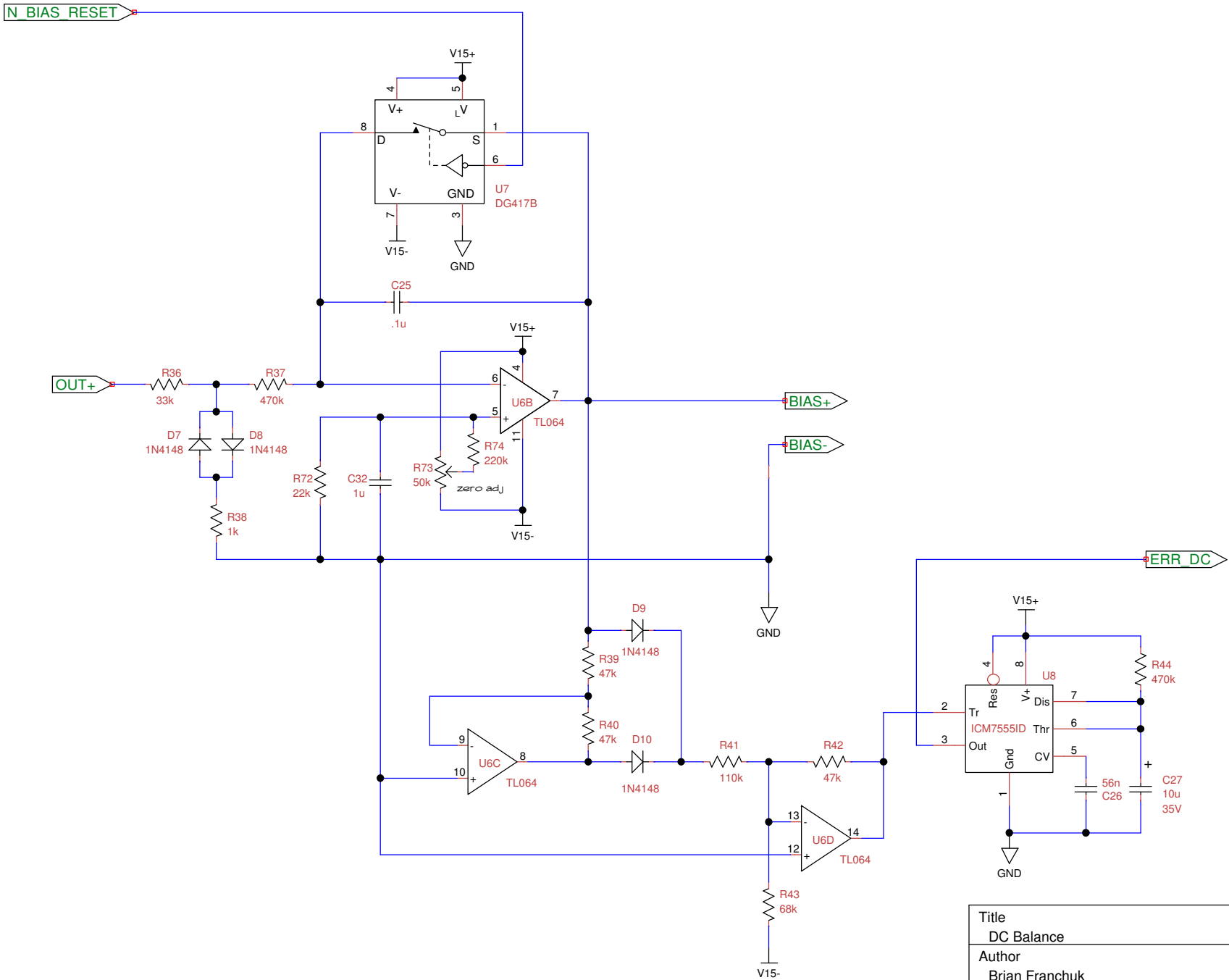
Title Preamp		
Author Brian Franchuk Mariposa Amplification		
File objects\amps\class_D\schematic\signal_board.dsn	Document	
Revision 1.52	Date 3/25/2012	Sheets 2 of 7



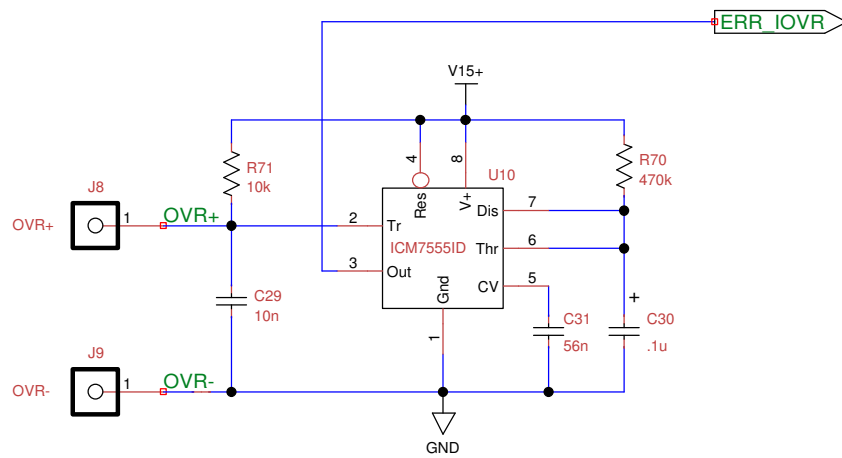
Title Modulator		
Author Brian Franchuk Mariposa Amplification		
File objects\amps\class_D\schematic\signal_board.dsn	Document	
Revision 1.52	Date 3/25/2012	Sheets 3 of 7



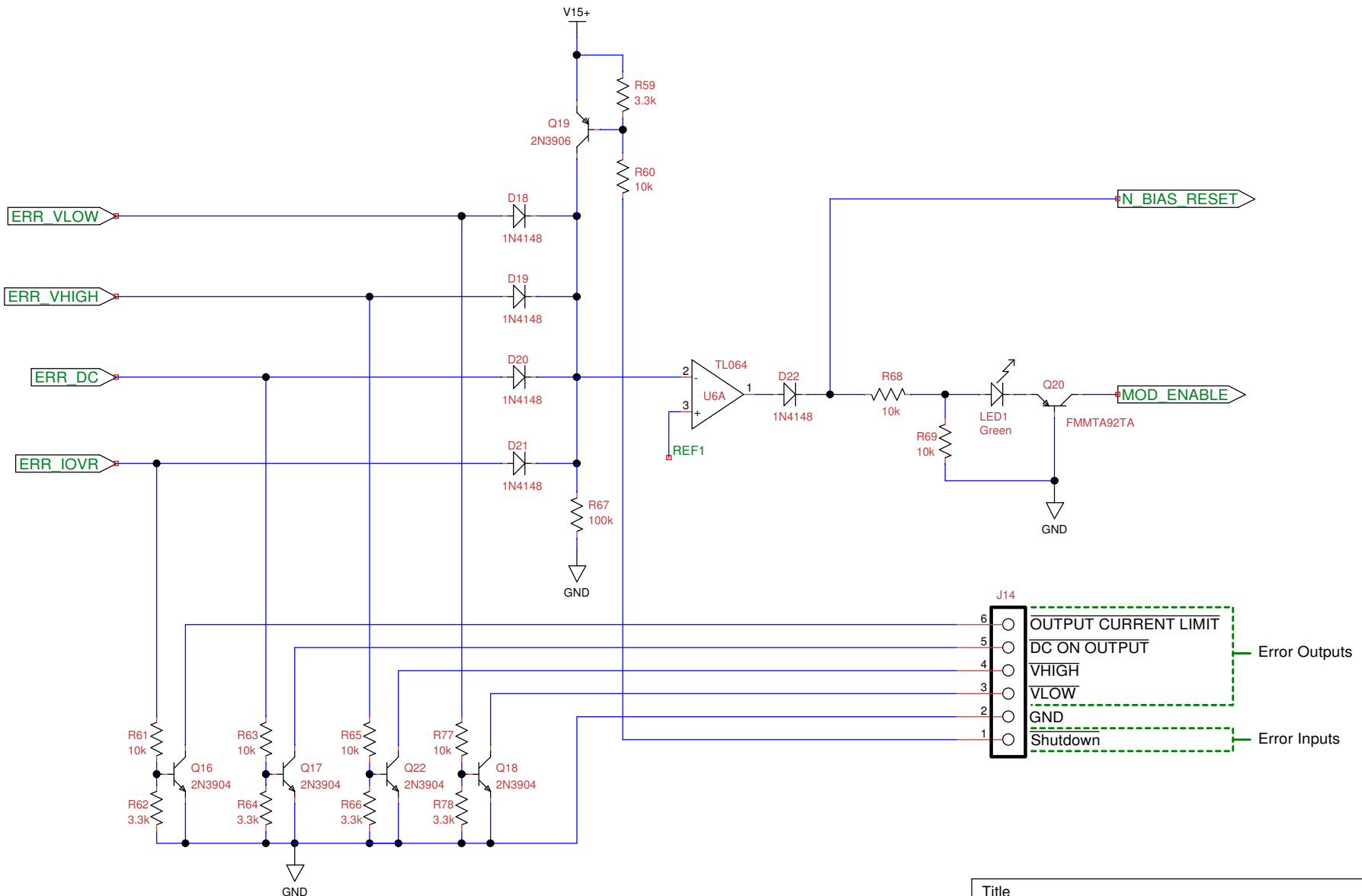
Title V Rail Over/Under Detection		
Author Brian Franchuk Mariposa Amplification		
File objects\amps\class_D\schematic\signal_board.dsn	Document	
Revision 1.52	Date 3/25/2012	Sheets 4 of 7



Title		
DC Balance		
Author		
Brian Franchuk		
Mariposa Amplification		
File		Document
objects\amps\class_D\schematic\signal_board.dsn		
Revision	Date	Sheets
1.52	3/25/2012	5 of 7



Title Over Current		
Author Brian Franchuk Mariposa Amplification		
File ojects\amps\class_D\schematic\signal_board.dsn	Document	
Revision 1.52	Date 3/25/2012	Sheets 6 of 7



Title Control		
Author Brian Franchuk Mariposa Amplification		
File objects\amps\class_D\schematic\signal_board.dsn	Document	
Revision 1.52	Date 3/25/2012	Sheets 7 of 7