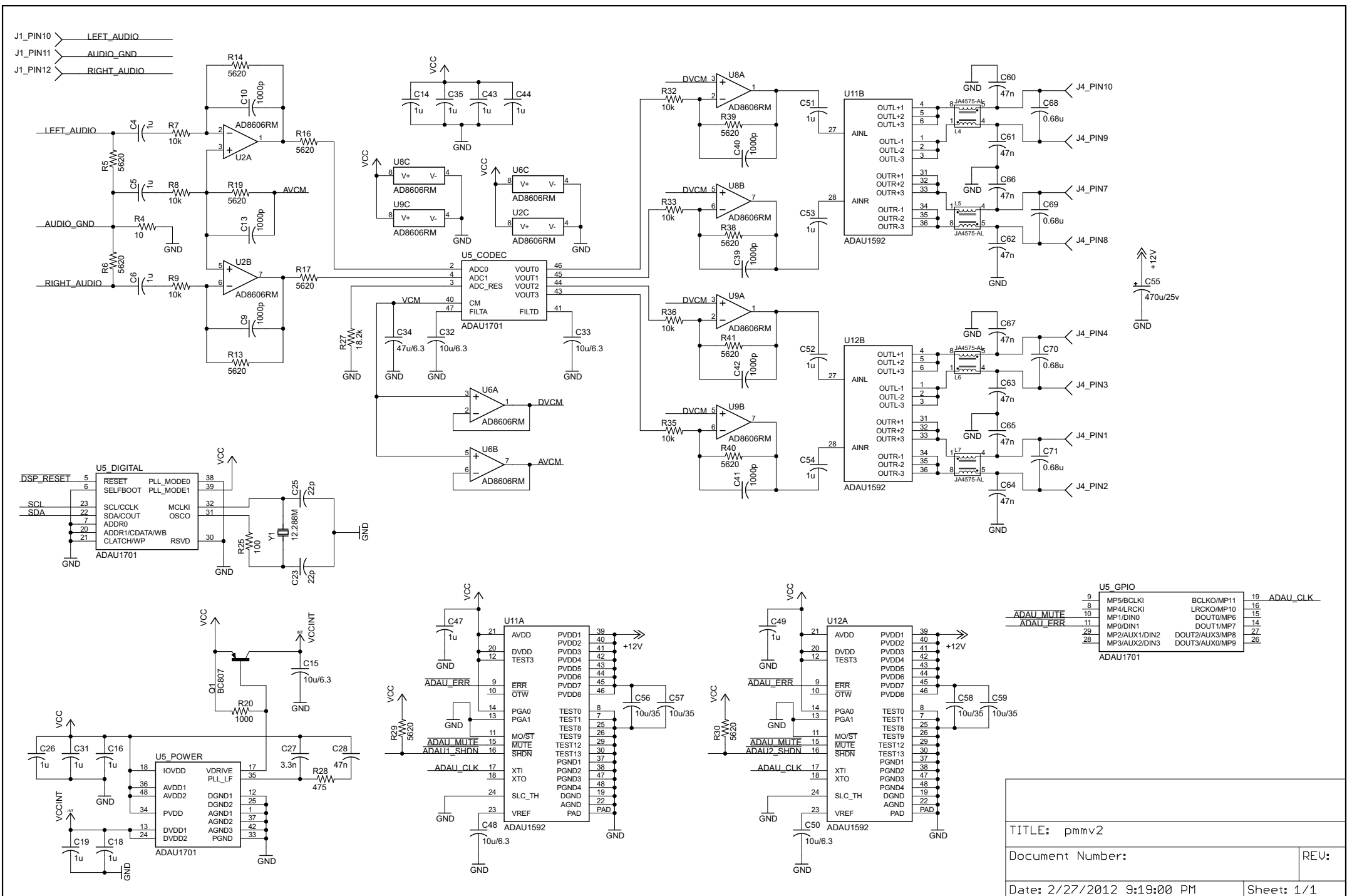


TITLE: pmmv2	
Document Number:	REV:
Date: 2/27/2012 9:19:00 PM	Sheet: 1/1



TITLE: pmmv2	
Document Number:	REV:
Date: 2/27/2012 9:19:00 PM	Sheet: 1/1