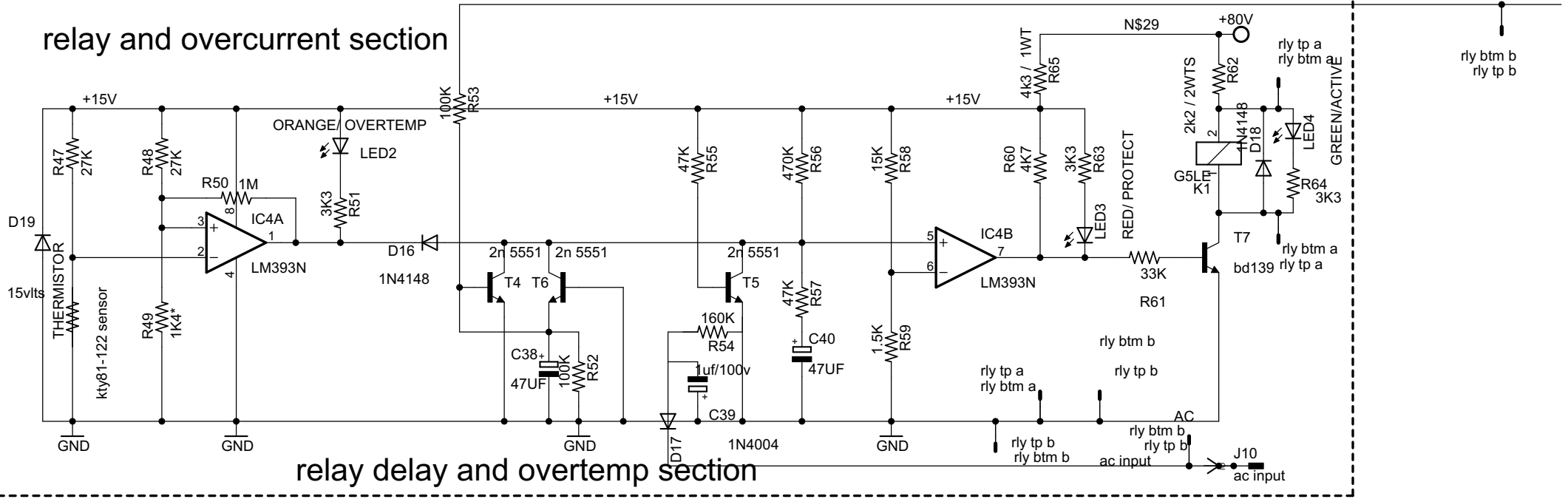


relay and overcurrent section



rly btm b
rly tp b