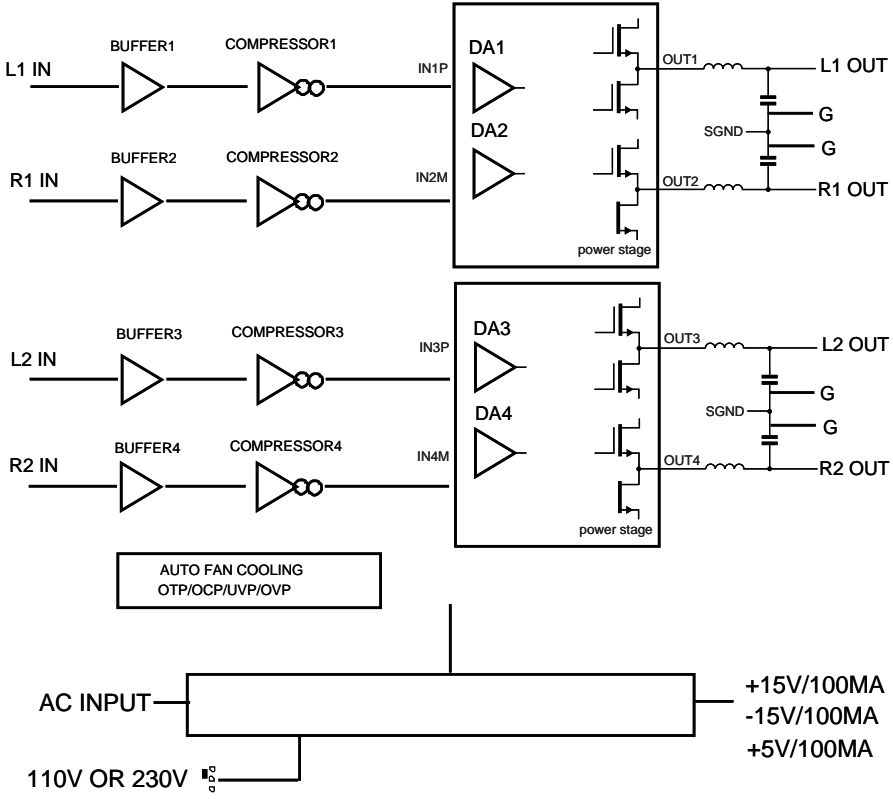


# T400D QUICK REFERENCE

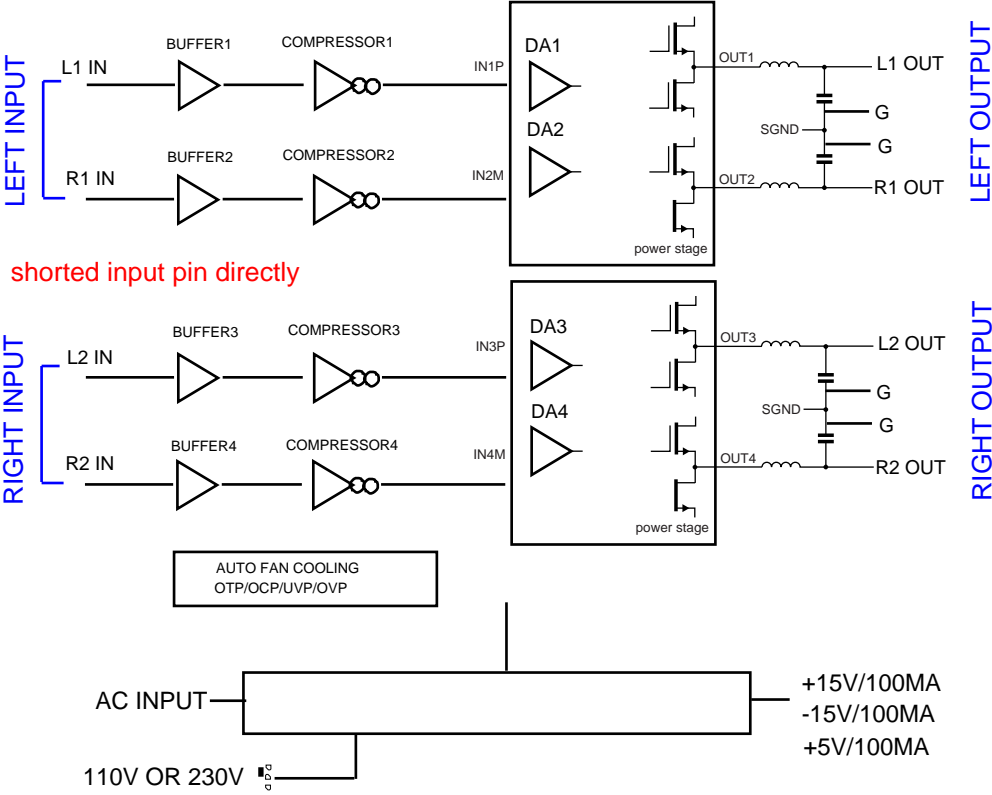
## Key Specifications

- |                                       |                                |
|---------------------------------------|--------------------------------|
| 4X60W @ 0.5% THD+N, 20Hz – 20kHz, 4 Ω | <i>T400D-8920 4 SIGNLE END</i> |
| 2X130W @ 0.5% THD+N, 20Hz – 20kHz,8Ω  | <i>T400D-8920 2 BTL</i>        |
- |  |                          |
|--|--------------------------|
| 1X130W @ 0.5% THD+N, 20Hz – 20kHz,8Ω<br>+<br>2X60W @ 0.5% THD+N, 20Hz – 20kHz, 4 Ω | <i>T400D-8920 2 .1CH</i> |
|--|--------------------------|
- |  |                                |
|--|--------------------------------|
| 4X100W @ 0.5% THD+N, 20Hz – 20kHz, 4 Ω | <i>T400D-8950 4 SIGNLE END</i> |
| 2X200W @ 0.5% THD+N, 20Hz – 20kHz,8Ω   | <i>T400D-8950 2 BTL</i>        |
- |   |                          |
|---|--------------------------|
| 1X200W @ 0.5% THD+N, 20Hz – 20kHz,8Ω<br>+<br>2X100W @ 0.5% THD+N, 20Hz – 20kHz, 4 Ω | <i>T400D-8950 2 .1CH</i> |
|---|--------------------------|
- 80 % total efficiency @full load
- Regulated auxiliary power supply /linear
- Mains Supply110 or 230v AC 50 or 60 Hz
- Module weight: 0.8KG
- Dimensions:250mmX65mmX40mm

# BLOCK DIGRAM 4CH MODE

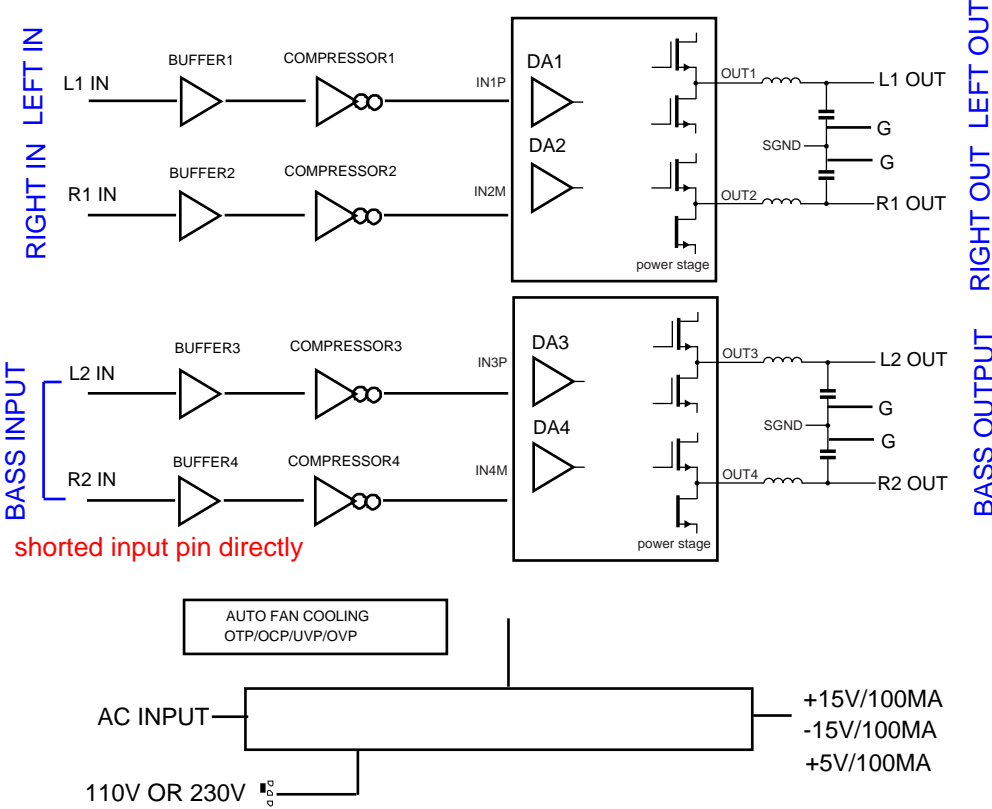


# BLOCK DIGRAM 2CH MODE

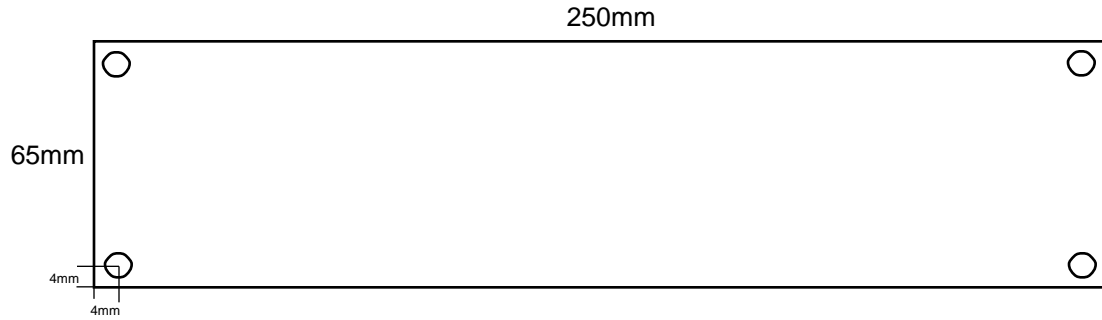


shorted input pin directly

# BLOCK DIGRAM 2.1CH MODE



Module Dimensions:



Connect us :

Tel: +86-571-89005975  
Fax: +86-571-89005975  
Email [authlxl@gmail.com](mailto:authlxl@gmail.com)  
Web: [www.csinewave.com](http://www.csinewave.com)

Attention:

this is the third version of this board, we will revise the board along aim to good performance, no revise plan and note sending ,pls understand!