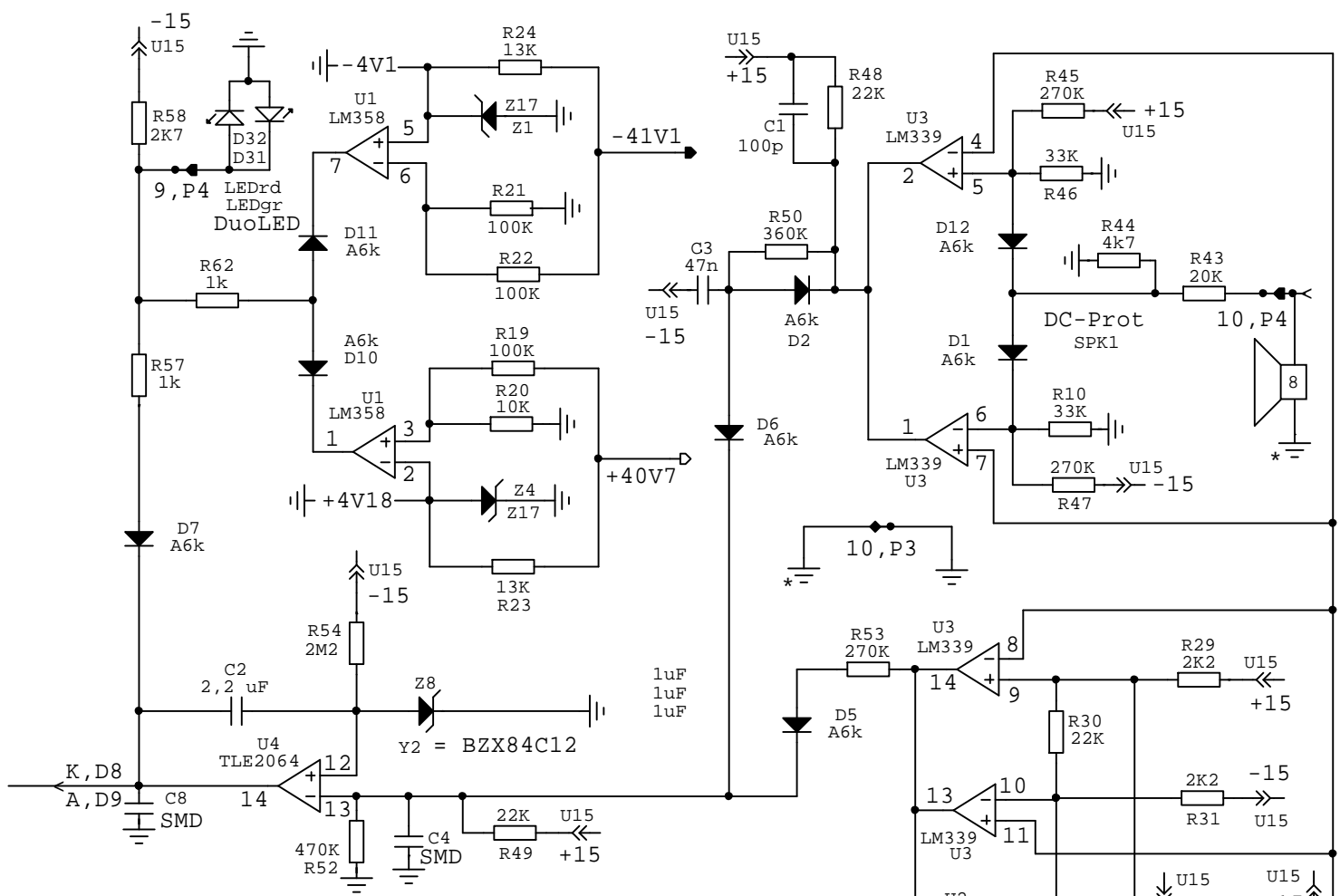


SMD-code:

- Y2= BZX84-C12 Z17=BZX84-C4V3
- Y2= CMDZ5254B (1N5254B, 27V)
- A6k=BAS16 (BAW62, 1N4148)
- 493=ZETEX FMMT493 (ZTX453, PNP)
- 593=ZETEX FMMT593 (ZTX553, NPN)

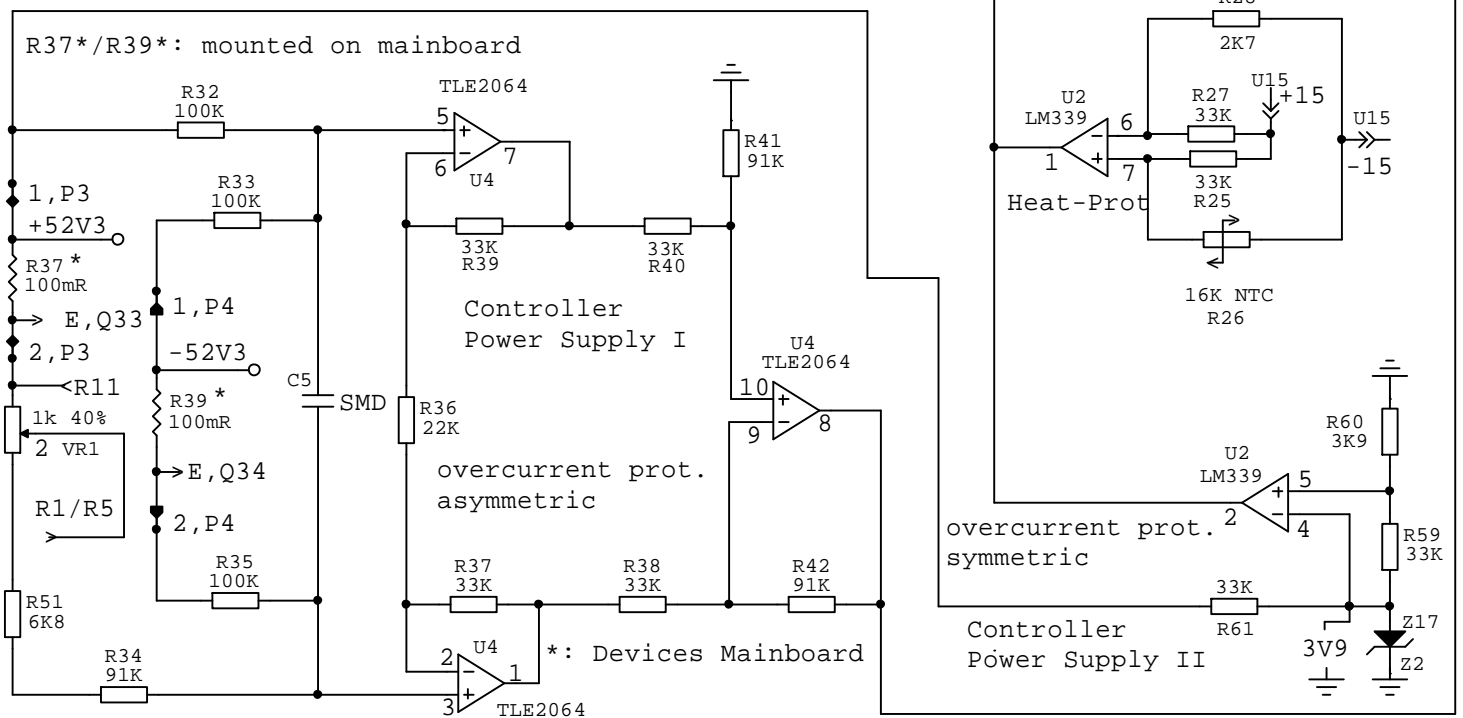
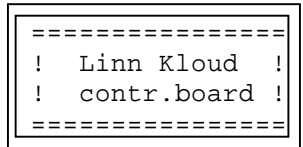
*: Devices Mainboard

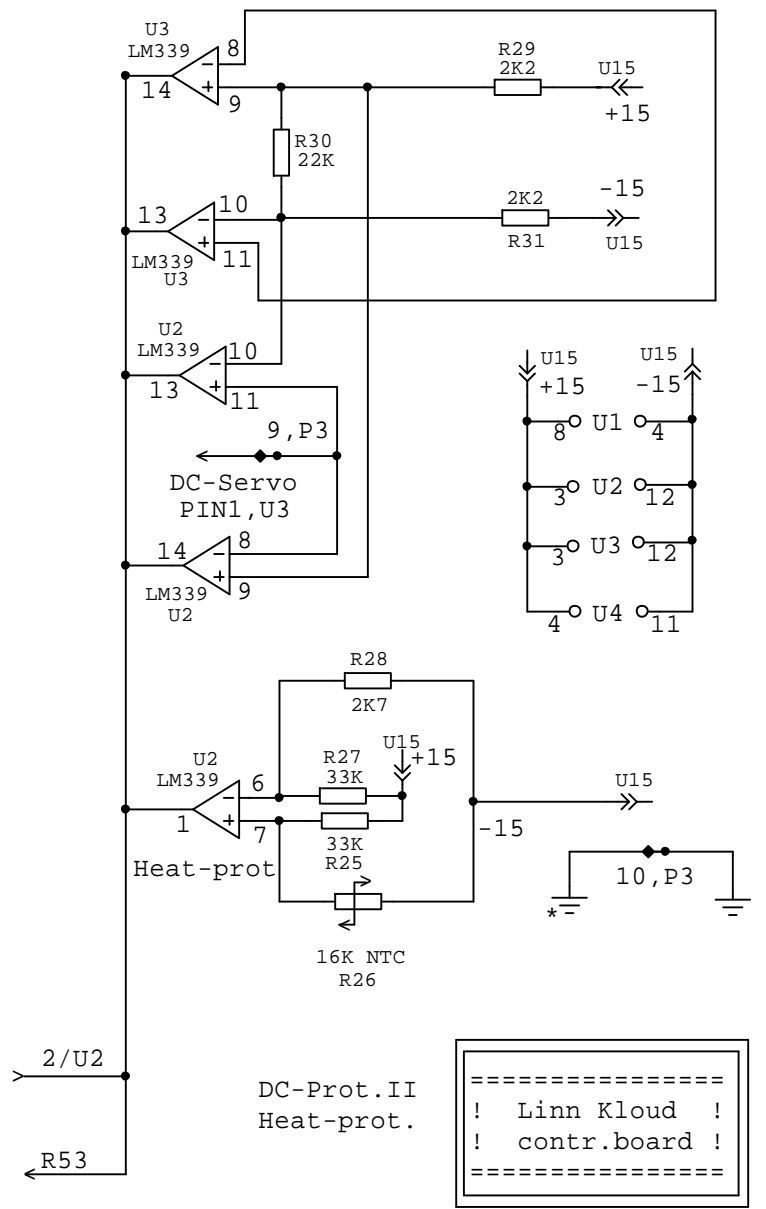


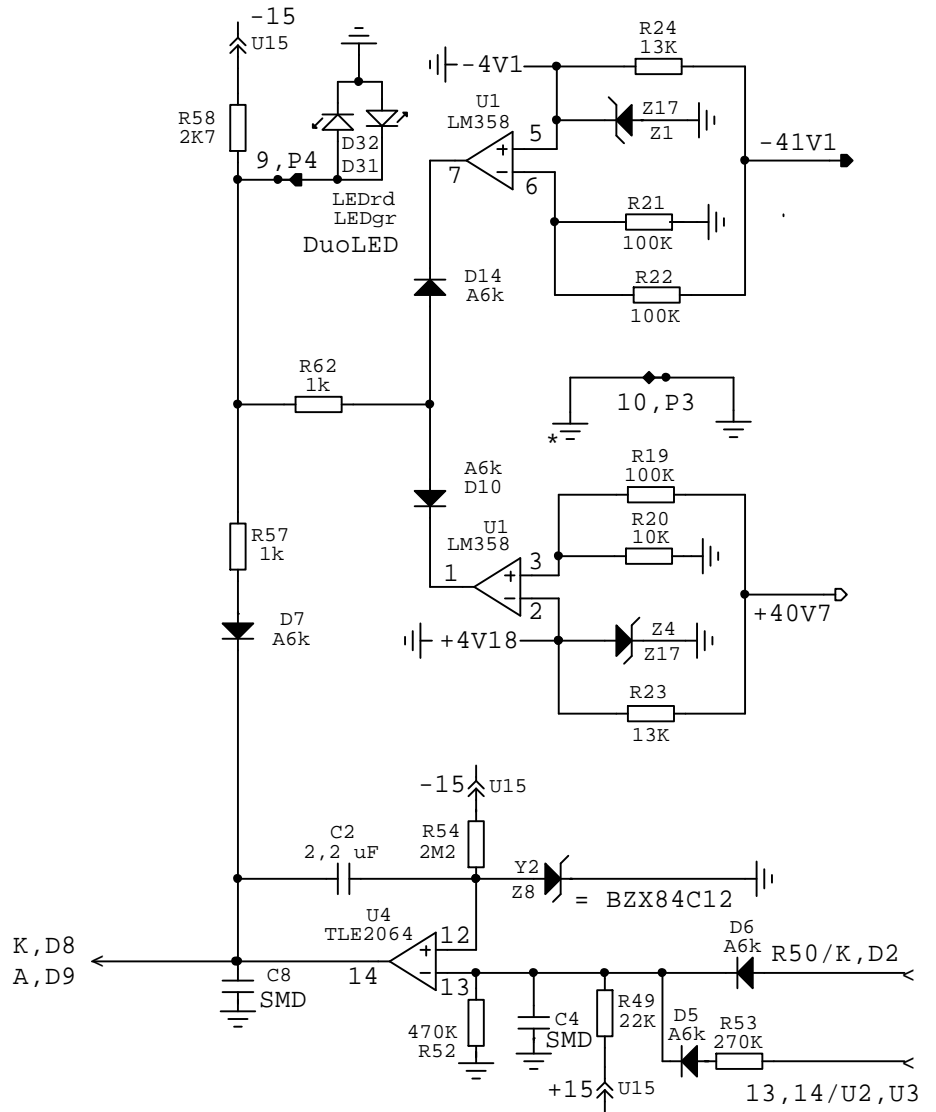
C4, C5, C8: SMD-capacitor without code

SMD-code:

- Y2= BZX84-C12 Z17=BZX84-C4V3
- Y2= CMDZ5254B (1N5254B,27V)
- A6k=BAS16 (BAW62, 1N4148)
- 493=ZETEX FMMT493 (ZTX453, PNP)
- 593=ZETEX FMMT593 (ZTX553, NPN)





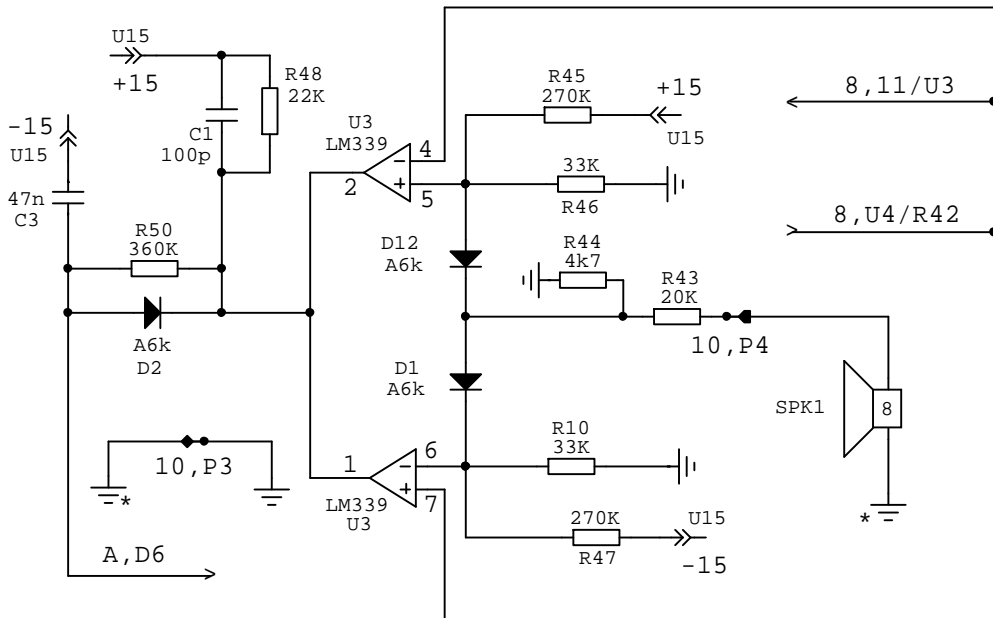


C4, C5, C8: SMD-capacitor without code

controller LED-Driver,
Interface power supply

```

=====
! Linn Kloud !
! contr.board !
=====
    
```



controller
DC-Prot

```

=====
! Linn Kloud !
! contr.board !
=====
    
```

