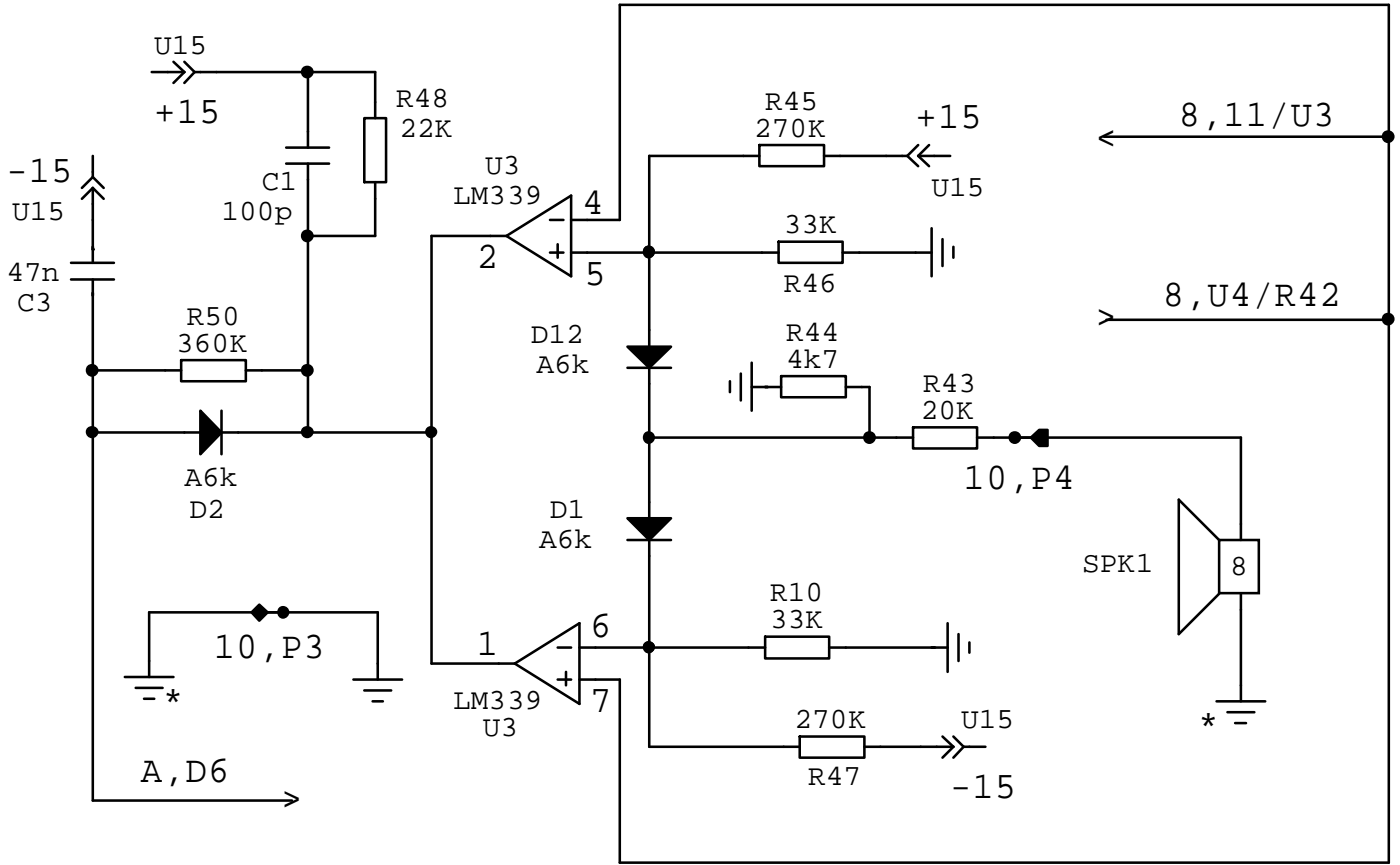


*: Devices Mainboard



controller
DC-Prot

```

=====
! Linn Kloud !
! contr.board !
=====
    
```