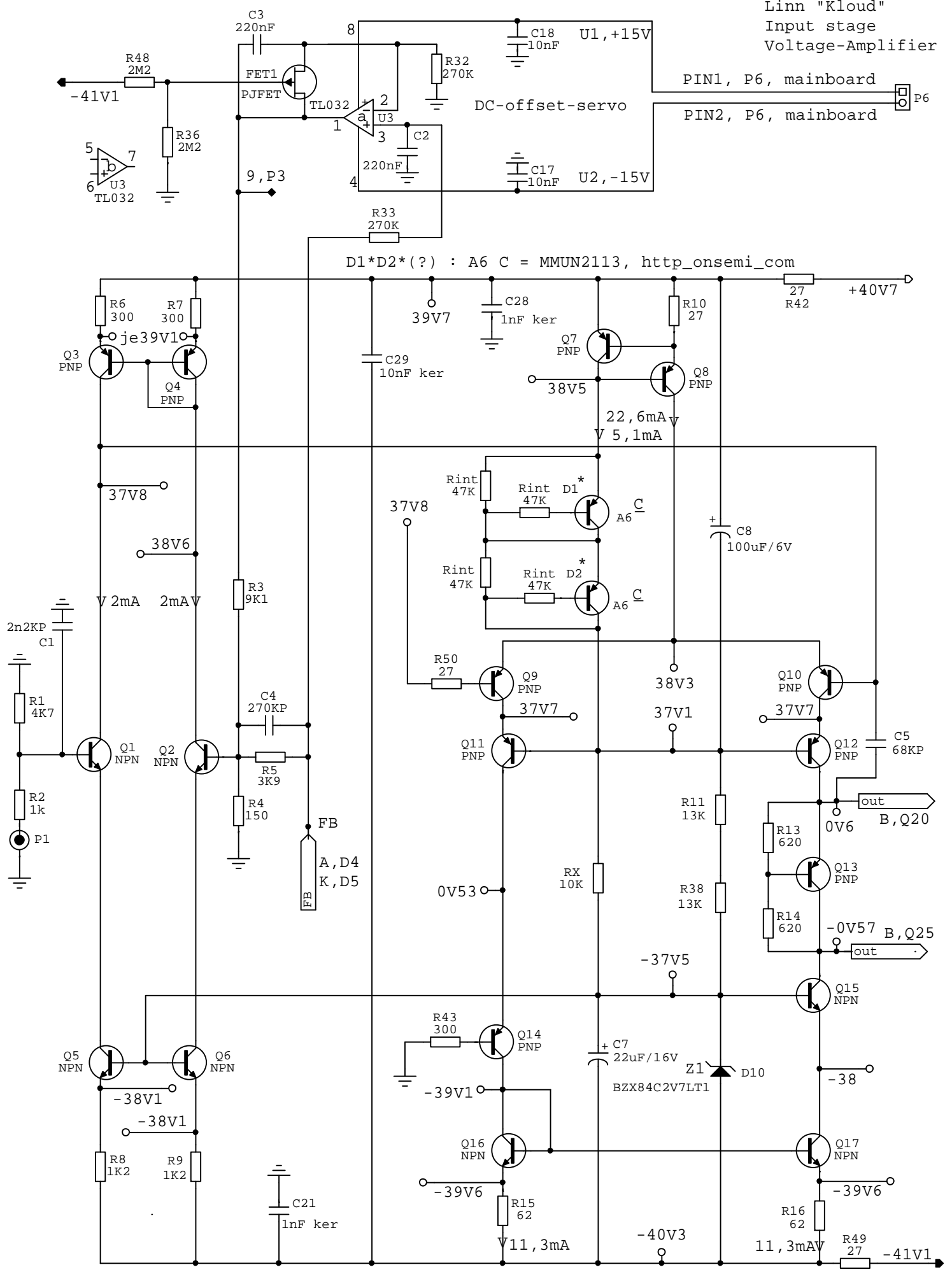
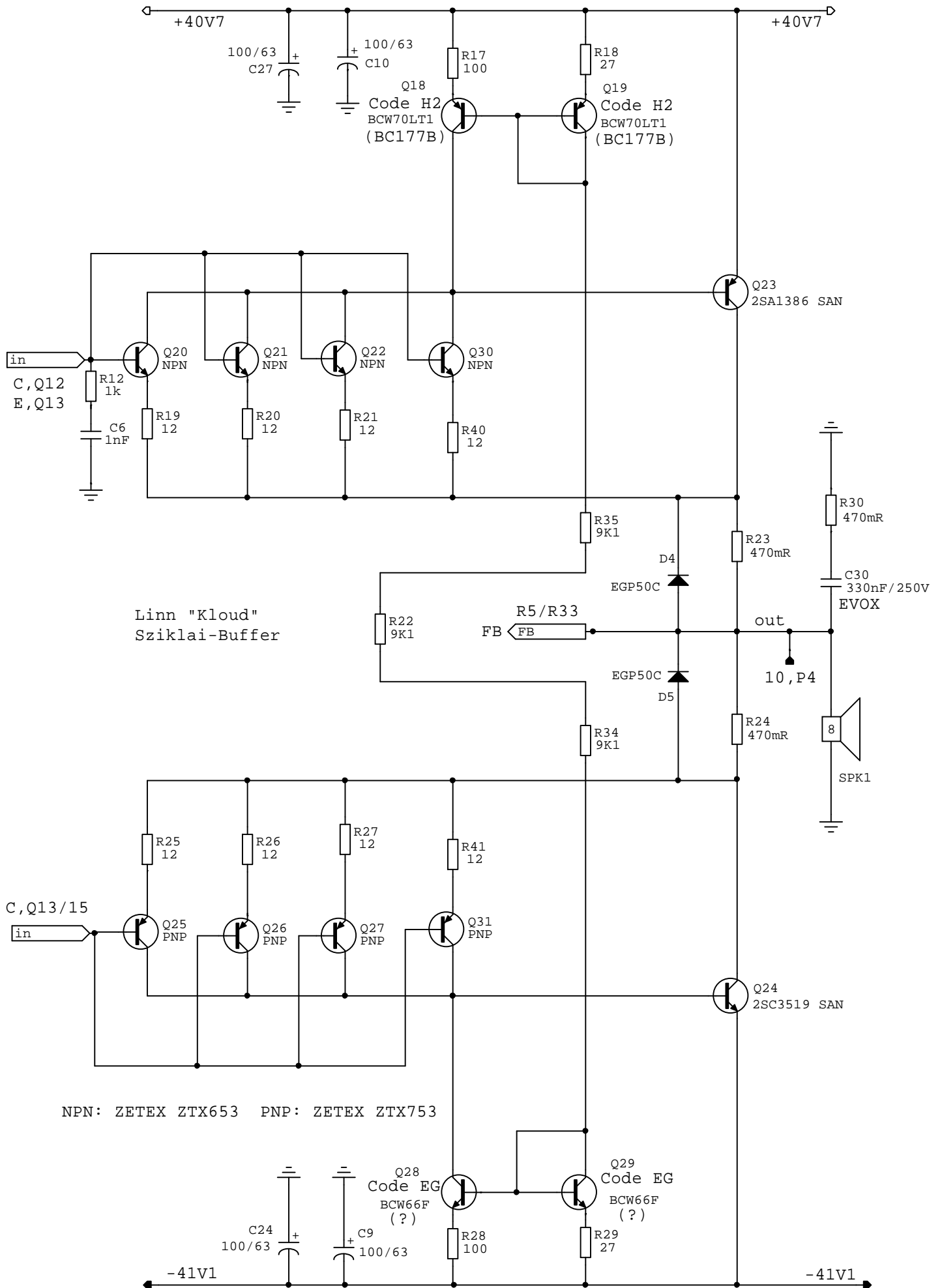


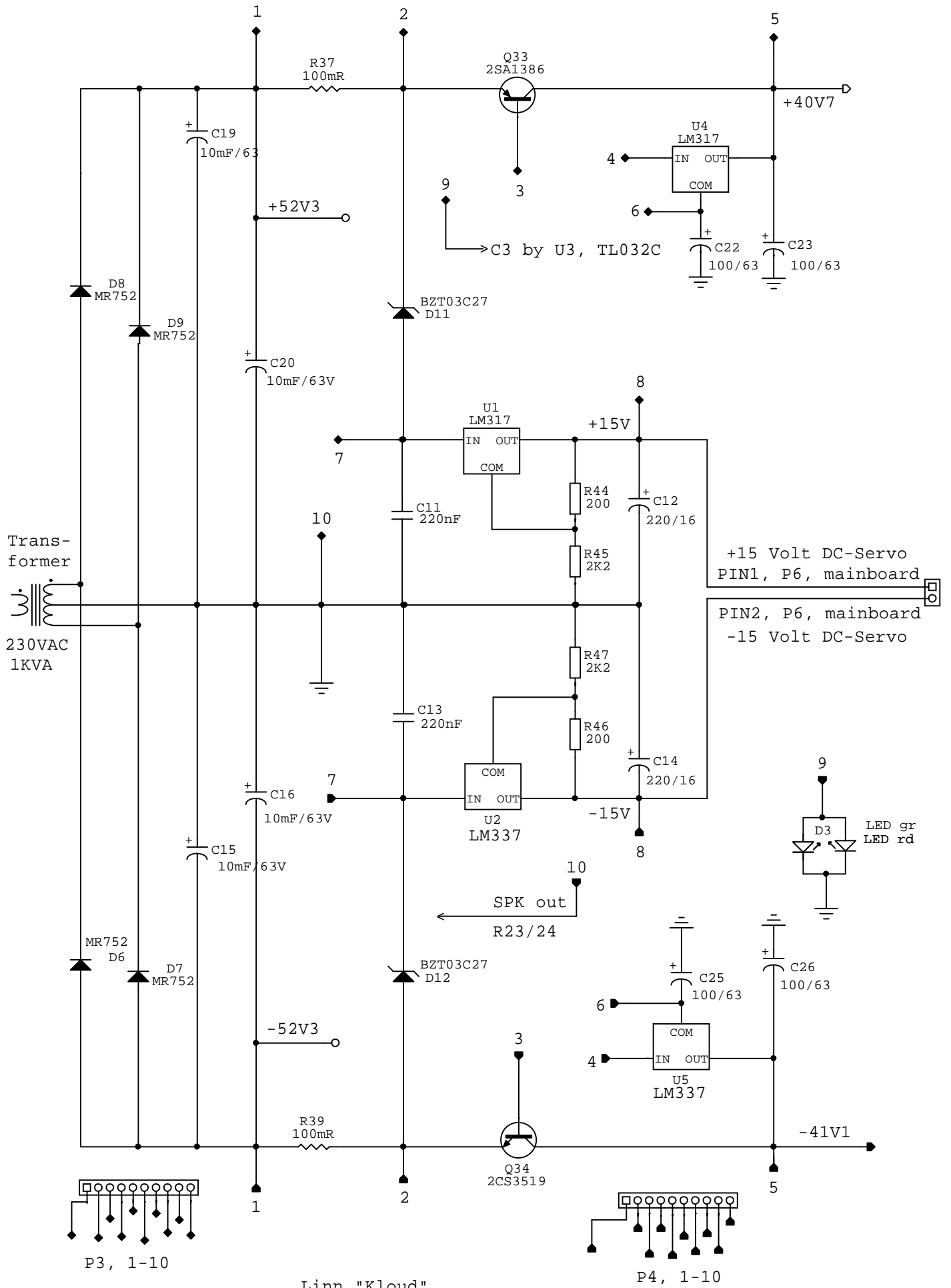
Linn "Kloud"
Input stage
Voltage-Amplifier



NPN: ZETEX ZTX653 PNP: ZETEX ZTX753



NPN: ZETEX ZTX653 PNP: ZETEX ZTX753



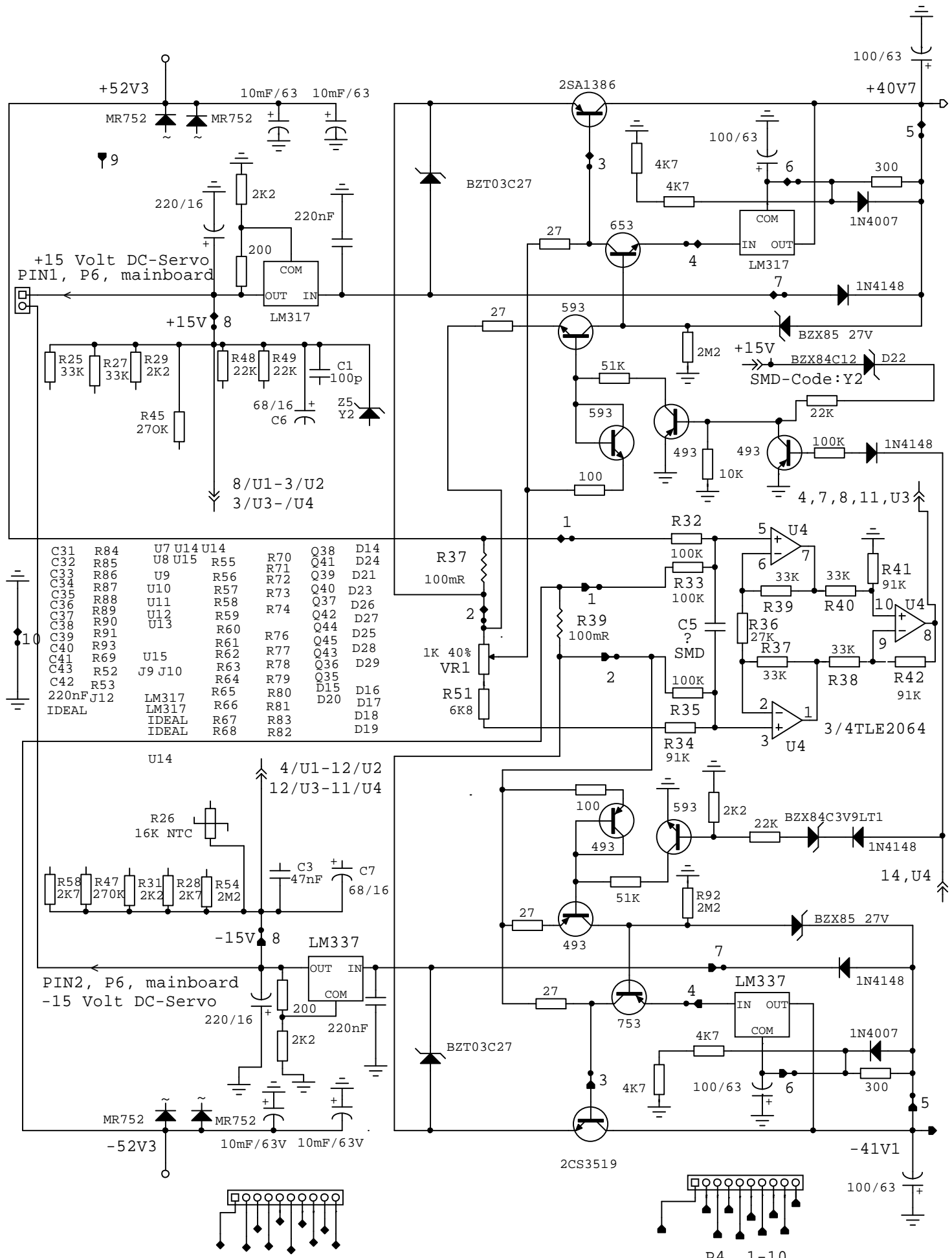
Linn "Kloud" Power supply

Linn Kloud Servicetipps:

- 1) Bypaß C21/C28: 100uF/100V - parallel mit/with 2,2 uF, WIMA MKS
- 2) R42/R49: replace/ersetzen through/durch 27 Ohm, 2 Watt MOX

Typ nicht eindeutig zu identifizieren/not exactly determine:

D1, D2, Q28, Q29, C5, D22 (Zenerdiode, code: Y2)



P3, 1-10

Linn "Kloud" Power supply - connection to overcurrent sensor

P4, 1-10