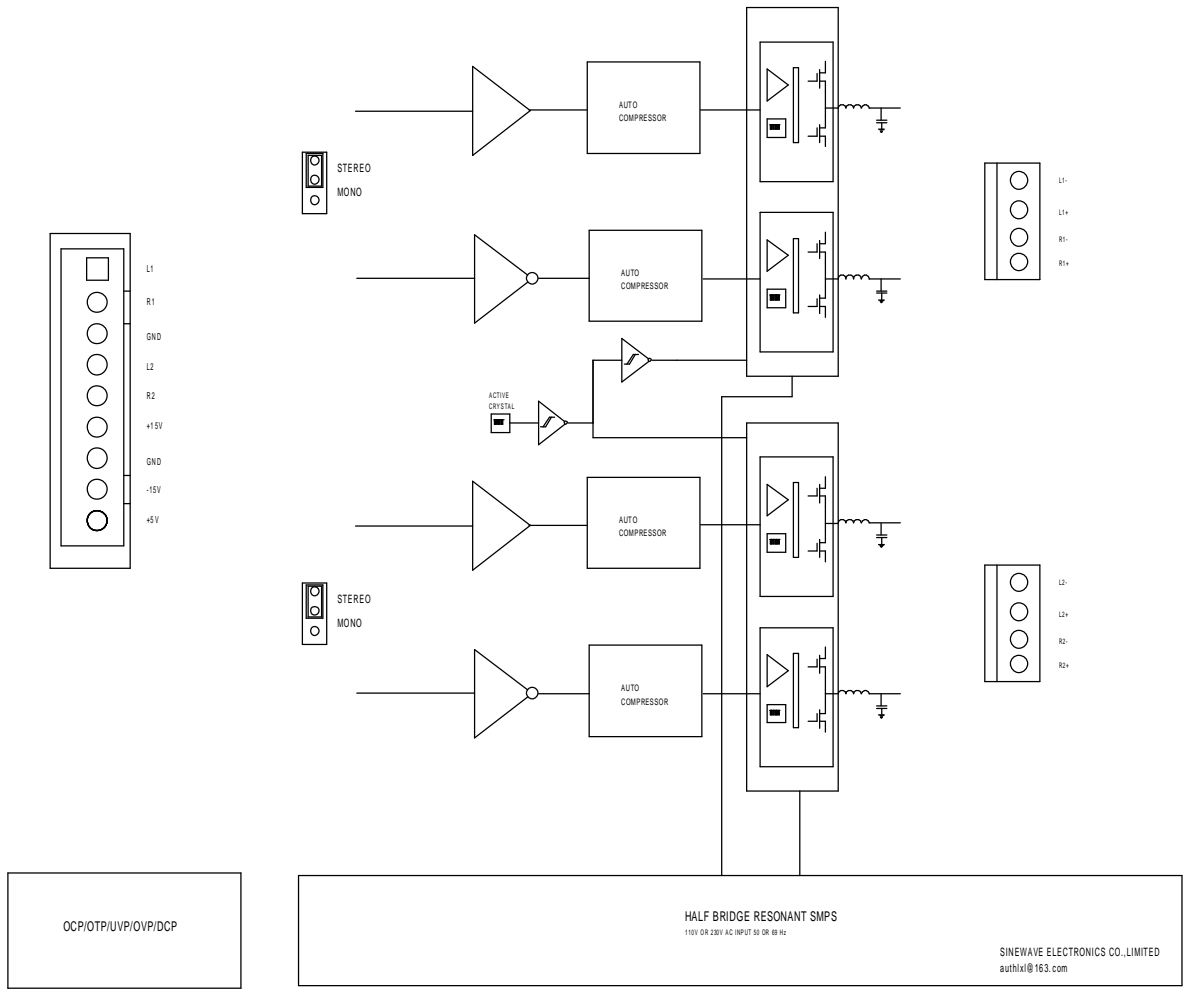


2pcs TDA8950TH



1. INPUT:0dB.
2. OUTPUT:4X100W/4OHM/0.5%THD+N OR 2X200W/8OHM/0.5%THD+N OR 1X400W/4OHM/0.5%THD+N

SINEWAVE ELECTRONICS CO.,LIMITED
aunhixi@163.com