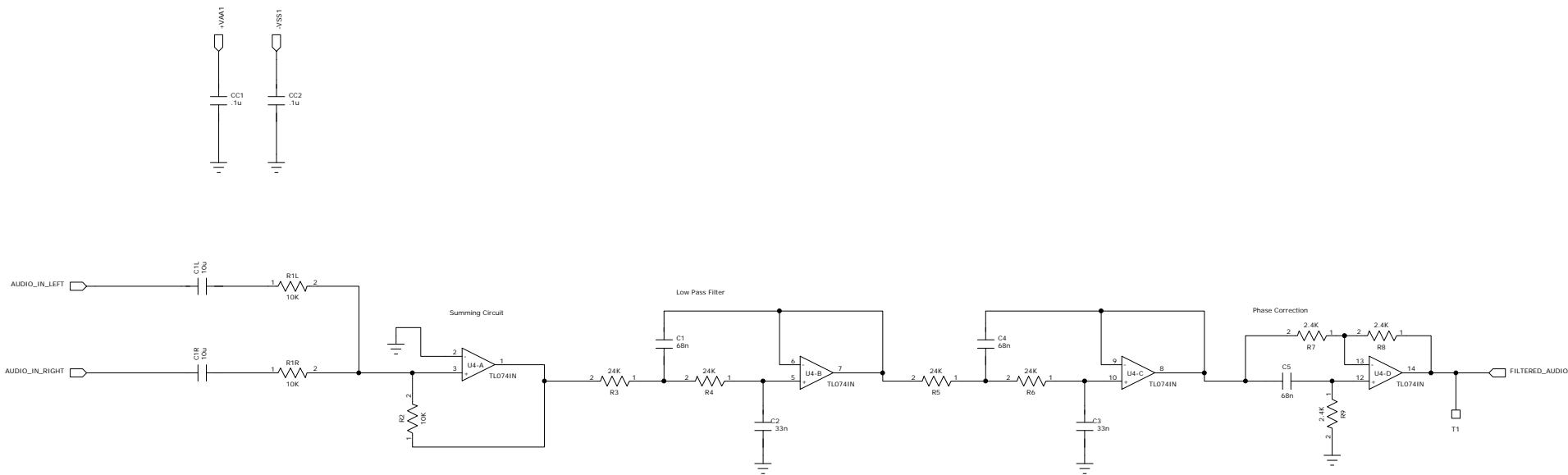


REVISION RECORD			
LTR	ECC NO	APPROVED	DATE

COMPANY: Project 14			
TITLE: Amplifier			
CODE:	SIZE: C	DRAWING NO:	REV:
RELEASED:	DATED:	SCALE:	SHEET: 8 of 9

DRAWN:	DATED:
CHECKED:	DATED:
QUALITY CONTROL:	DATED:
RELEASED:	DATED:

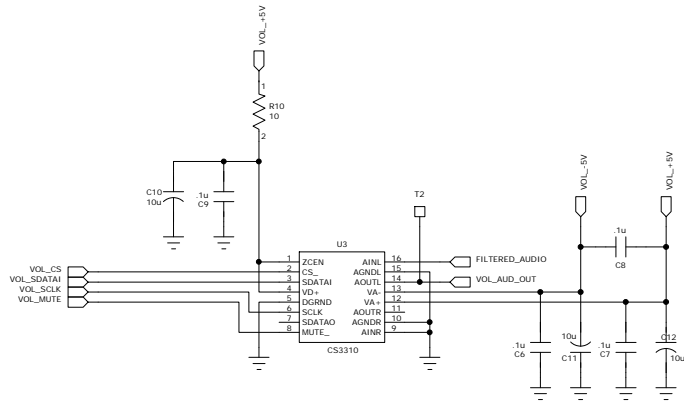
REVISION RECORD			
LTR	ECO NO:	APPROVED:	DATE:



COMPANY:				Project 14			
TITLE:				Amplifier			
CODE:	SIZE:	DRAWING NO:		REV:			
	C						
SCALE:				SHEET: 2 of 9			

DRAWN:	DATED:
CHECKED:	DATED:
QUALITY CONTROL:	DATED:
RELEASED:	DATED:

REVISION RECORD			
LTR	ECO NO:	APPROVED:	DATE:



COMPANY:		Project 14		
TITLE:		Amplifier		
CODE:	SIZE:	DRAWING NO:	REV:	
	C			
SCALE:	SHEET: 3 of 9			

DRAWN:	DATED:
CHECKED:	DATED:
QUALITY CONTROL:	DATED:
RELEASED:	DATED:

D  
C  
B  
A

6

5

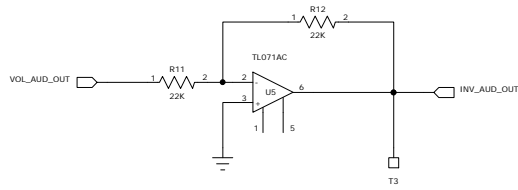
4

3

2

1

REVISION RECORD			
LTR	ECO NO:	APPROVED:	DATE:



D

D

C

C

B

B

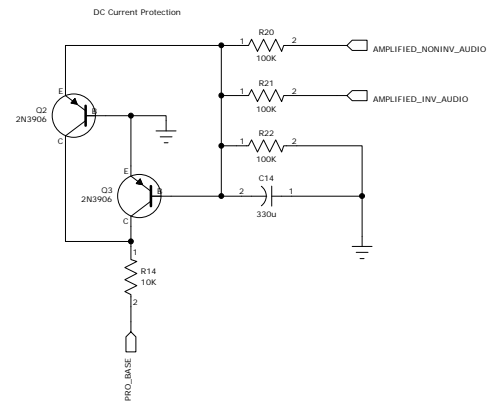
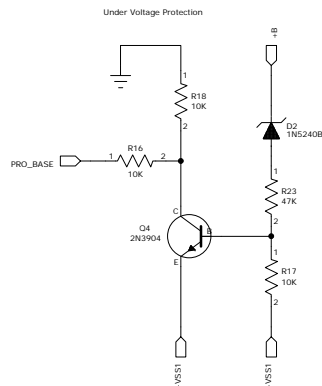
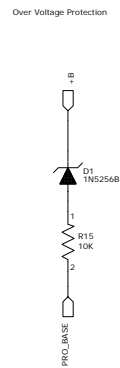
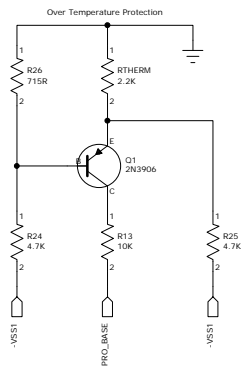
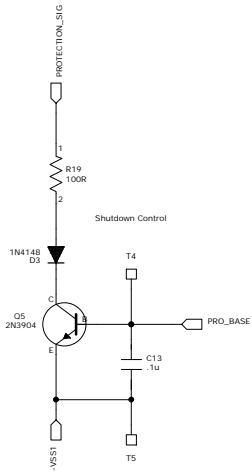
A

A

COMPANY:		Project 14		
TITLE:		Amplifier		
CODE:	SIZE:	DRAWING NO.:	REV.:	
	C			
SCALE:		SHEET: 4 of 9		

DRAWN:	DATED:
CHECKED:	DATED:
QUALITY CONTROL:	DATED:
RELEASED:	DATED:

REVISION RECORD			
LTR	ECO NO:	APPROVED:	DATE:



COMPANY:		Project 14		
TITLE:		Amplifier		
DRAWN:	DATED:	CODE:	SIZE:	DRAWING NO:
CHECKED:	DATED:	C		REV:
QUALITY CONTROL:	DATED:			
RELEASED:	DATED:			
SCALE:				SHEET: 5 of 9

6

5

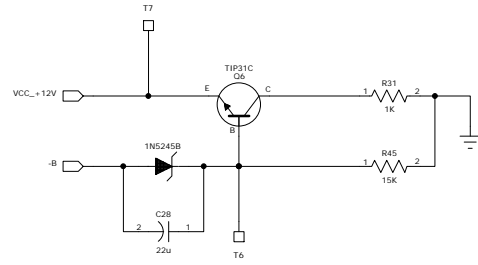
4

3

2

1

REVISION RECORD			
LTR	ECO NO:	APPROVED:	DATE:



D

D

C

C

B

B

A

A

COMPANY:		Project 14		
TITLE:		Amplifier		
CODE:	SIZE:	DRAWING NO.:	REV.:	
	C			
SCALE:		SHEET: 6 of 9		

DRAWN:	DATED:
CHECKED:	DATED:
QUALITY CONTROL:	DATED:
RELEASED:	DATED:

6

5

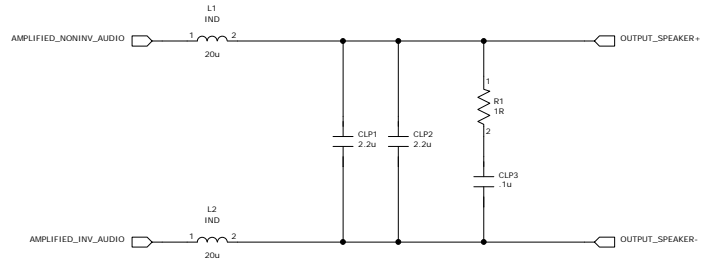
4

3

2

1

REVISION RECORD			
LTR	ECO NO:	APPROVED:	DATE:



COMPANY:		Project 14		
TITLE:		Amplifier		
CODE:	SIZE:	DRAWING NO.:	REV.:	
	C			
SCALE:		SHEET: 7 of 9		

DRAWN:	DATED:
CHECKED:	DATED:
QUALITY CONTROL:	DATED:
RELEASED:	DATED:

D

C

B

A

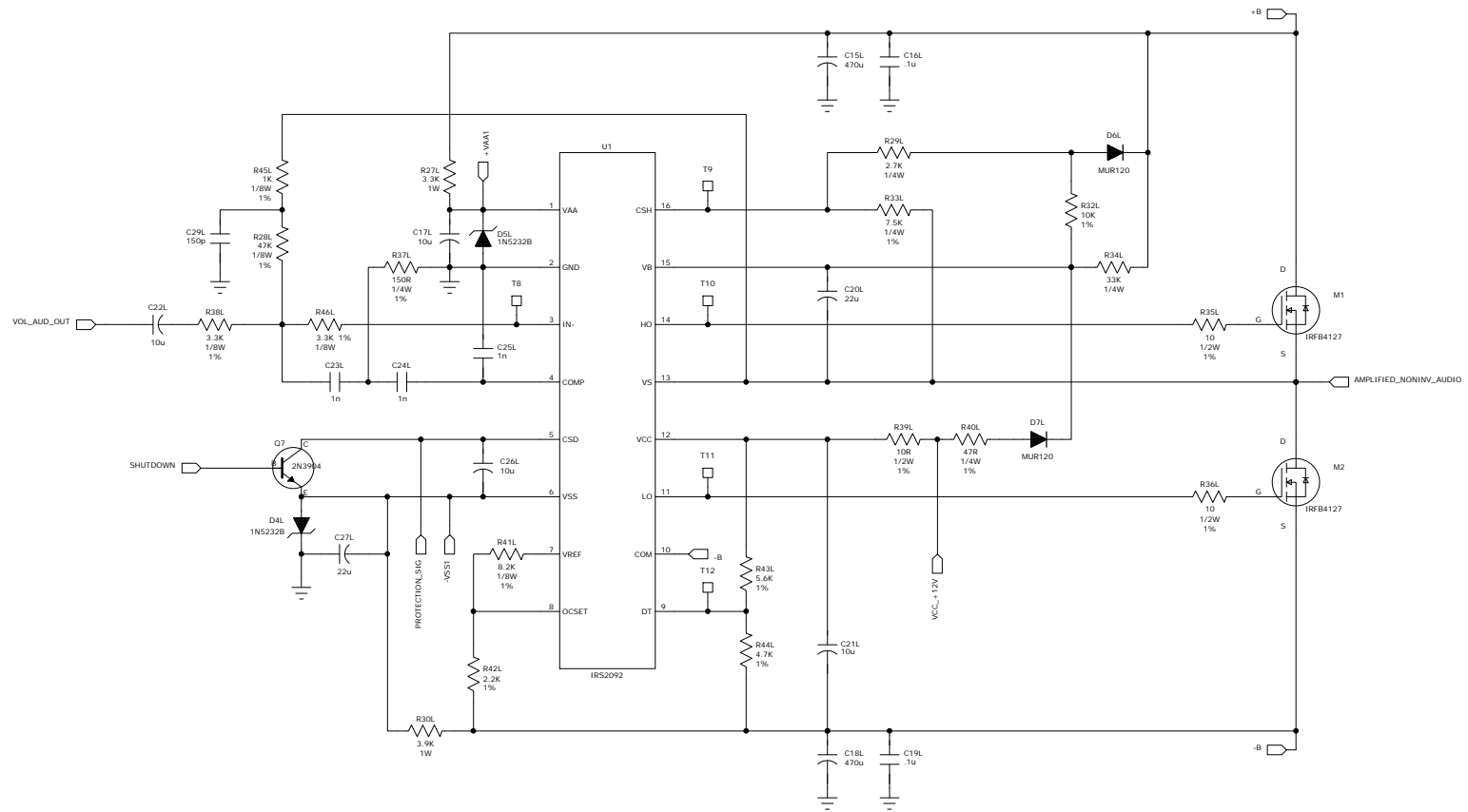
D

C

B

A

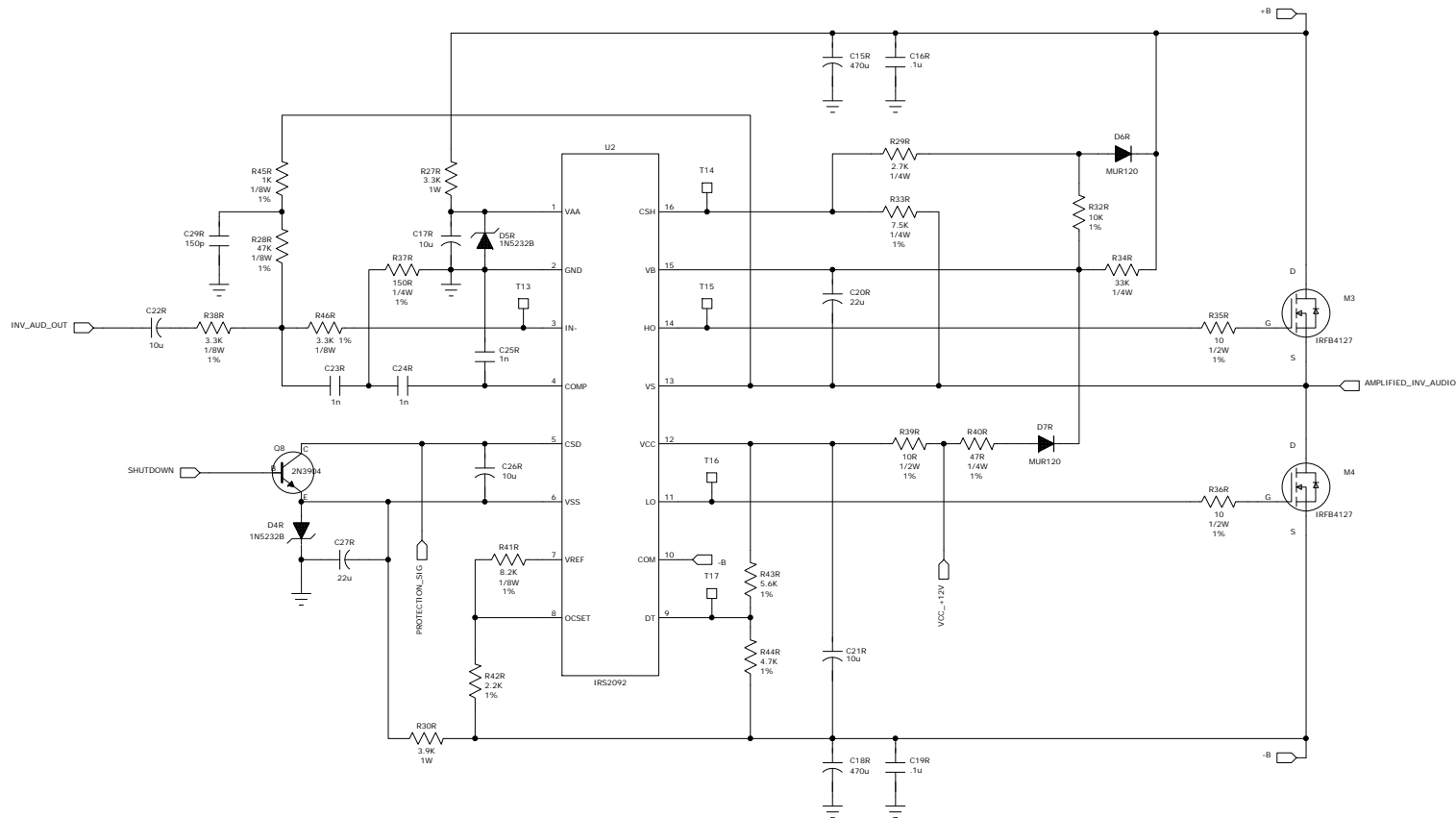
REVISION RECORD			
LTR	ECO NO:	APPROVED:	DATE:



COMPANY:					Project 14									
TITLE:										Amplifier				
DRAWN:		DATED:		CODE:		SIZE:		DRAWING NO:		REV:				
CHECKED:		DATED:		C										
QUALITY CONTROL:		DATED:												
RELEASED:		DATED:												
SCALE:										SHEET: 8 of 9				



REVISION RECORD			
LTR	ECO NO:	APPROVED:	DATE:



COMPANY:		Project 14		
TITLE:		Amplifier		
DRAWN:	DATED:	CODE:	SIZE:	DRAWING NO:
CHECKED:	DATED:	C		REV:
QUALITY CONTROL:	DATED:			
RELEASED:	DATED:			
SCALE:		SHEET: 9 of 9		