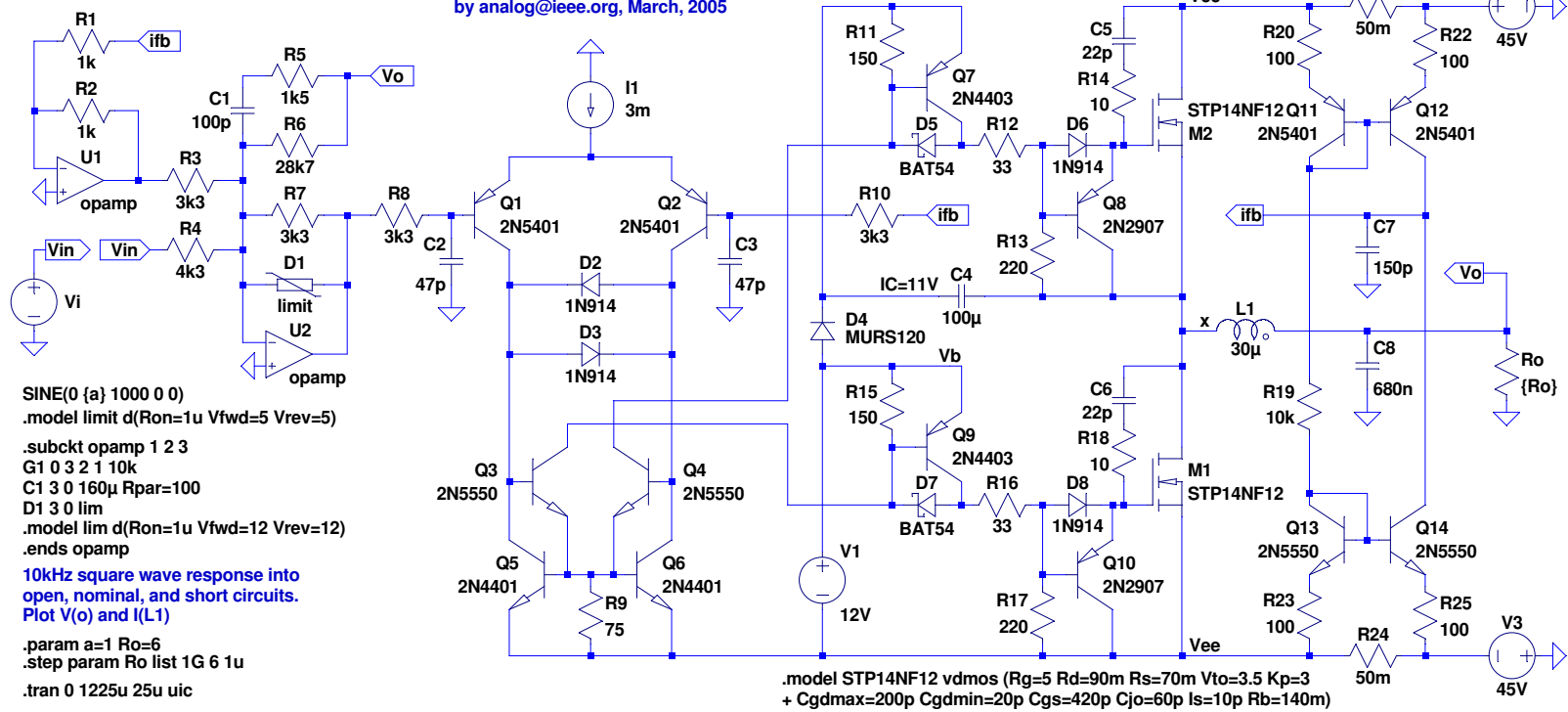


UcD180 Class D Amplifier Power Stage  
 driven by LeapFrog control  
 by analog@ieee.org, March, 2005



```

SINE(0 {a} 1000 0 0)
.model limit d(Ron=1u Vfwd=5 Vrev=5)
.subckt opamp 1 2 3
G1 0 3 2 1 10k
C1 3 0 160u Rpar=100
D1 3 0 lim
.model lim d(Ron=1u Vfwd=12 Vrev=12)
.ends opamp
10kHz square wave response into
open, nominal, and short circuits.
Plot V(o) and I(L1)
.param a=1 Ro=6
.step param Ro list 1G 6 1u
.tran 0 1225u 25u uic
    
```

```

.model STP14NF12 vdmosp (Rg=5 Rd=90m Rs=70m Vto=3.5 Kp=3
+ Cgdmax=200p Cgdmin=20p Cgs=420p Cjo=60p Is=10p Rb=140m)
    
```