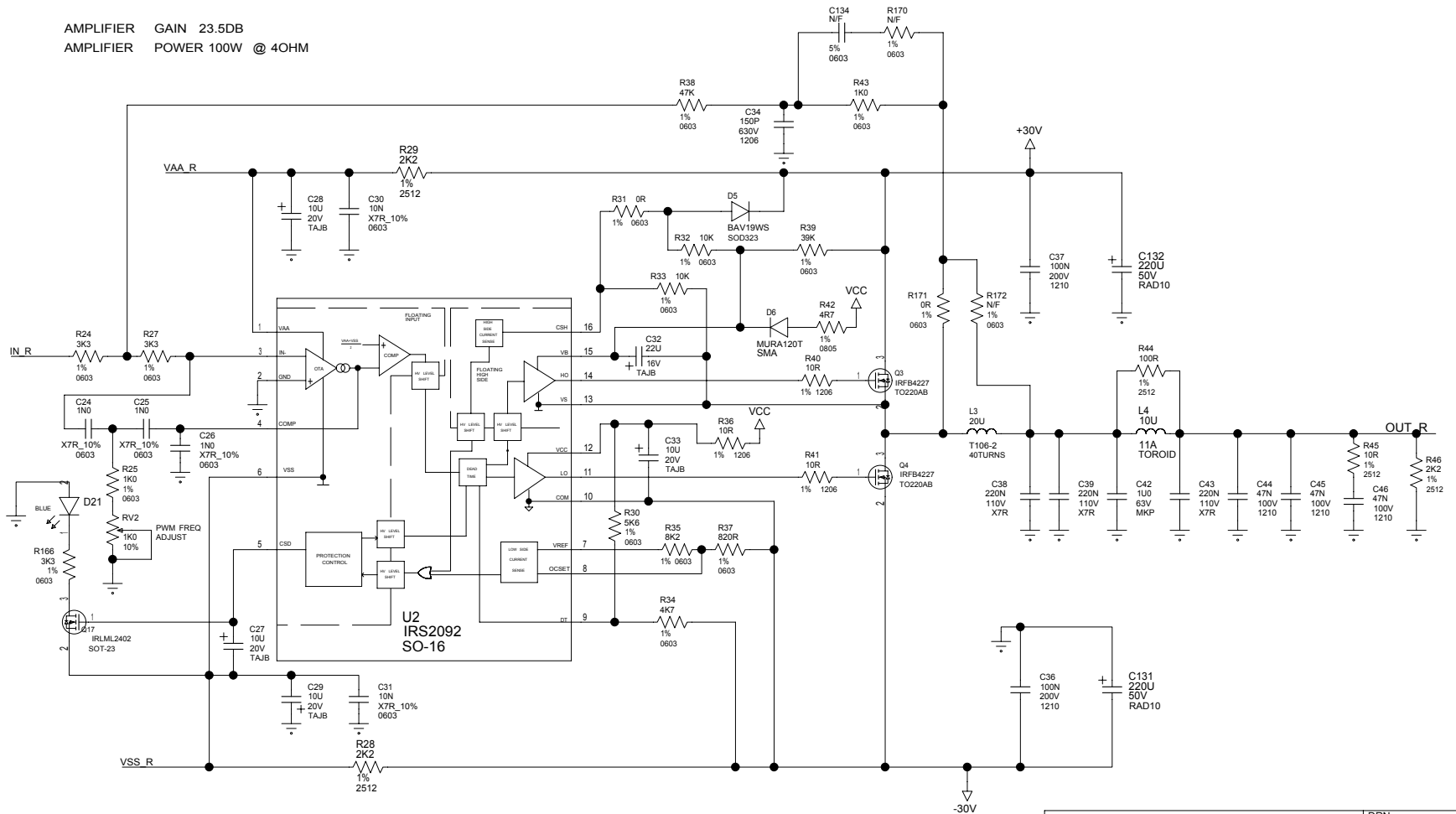


AMPLIFIER GAIN 23.5DB
 AMPLIFIER POWER 100W @ 4OHM



FEEDBACK CONFIGURATION												
	R171	R172	R43	R170	R38	R27	R25	C34	C134	C24	C25	C26
PRE FILTER	0R	N/F	1K0	N/F	47K	3K3	1K0	150P	N/F	1N0	1N0	1N0
POST FILTER	N/F	0R	47K	3K3	0R	0R	N/F	150P	220P	1N0	10K	10K

AMPLIFIER R-CHANNEL SCHEMATICS

DRN MAG

DATE 22/05/08

CHK

DATE

TITLE		
DRG No.	VERSION V1.1	SHT 2 OF 6