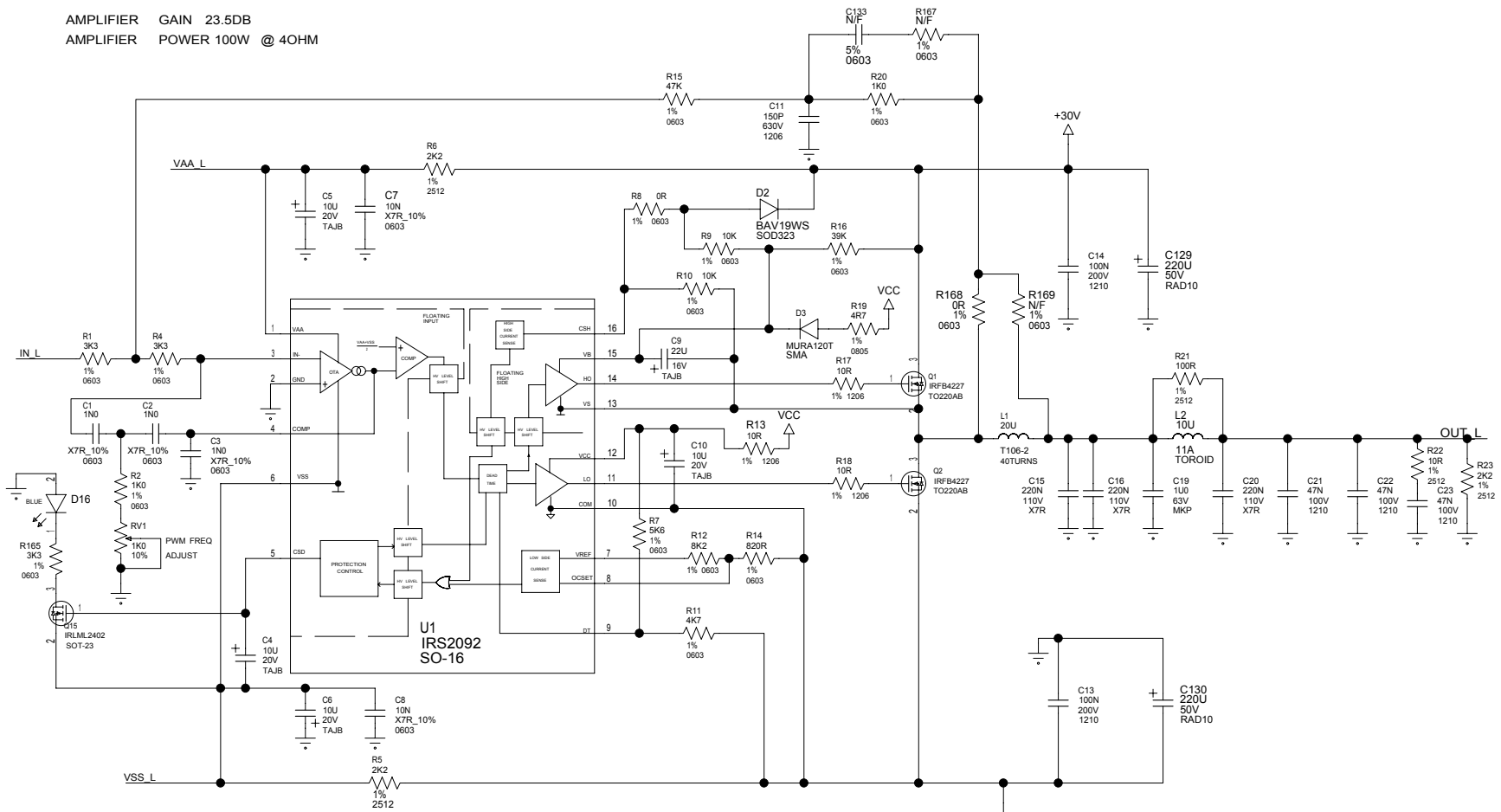


AMPLIFIER GAIN 23.5DB
 AMPLIFIER POWER 100W @ 4OHM



FEEDBACK CONFIGURATION											
	R168	R169	R20	R15	R4	R2	C11	C133	C1	C2	C3
PRE FILTER	0R	N/F	1K0	47K	3K3	1K0	150P	N/F	1N0	1N0	1N0
POST FILTER	N/F	0R	47K	0R	0R	N/F	150P	220P	1N0	10K	10K

<h2>AMPLIFIER L-CHANNEL SCHEMATICS</h2>		DRN	MAG
		DATE	
		22/05/08	
		CHK	
DATE			
TITLE			
DRG No.		VERSION	SHT 1 OF 6
		V1.1	