



# MP7720

## 20W Class D Mono Single Ended Audio Amplifier

[Back](#)
[Product Tree](#)

### DESCRIPTION

The MP7720 is a mono 20W Class D Audio Amplifier. It is one of MPS' second generation of fully integrated audio amplifiers which dramatically reduces solution size by integrating the following: 180mΩ power MOSFETs Startup / Shutdown pop elimination Short circuit protection circuits Mute / Standby The MP7720 utilizes a single ended output structure capable of delivering 20W into 4Ω speakers. MPS Class D Audio Amplifiers exhibit the high fidelity of a Class A/B amplifier at efficiencies greater than 90%. The circuit is based on the MPS' proprietary variable frequency topology that delivers excellent PSRR, fast response time and operates on a single power supply. The circuit is based on the MPS' proprietary variable frequency topology that delivers excellent PSRR, fast response time and operates on a single power supply.

### FEATURES

- 20W Output at VDD = 24V into a 4Ω load
- THD+N = 0.04% at 1W, 8Ω
- 93% Efficiency at 20W
- Low Noise (190μV Typical)
- Switching Frequency Up to 1MHz
- 9.5V to 24V Operation from a Single Supply
- Integrated Startup and Shutdown Pop Elimination Circuit
- Thermal Protection
- Integrated 180mΩ Switches
- Mute/Standby Modes (Sleep)
- Available in Tiny 8-Pin SOIC and PDIP Packages

### DOCUMENTS

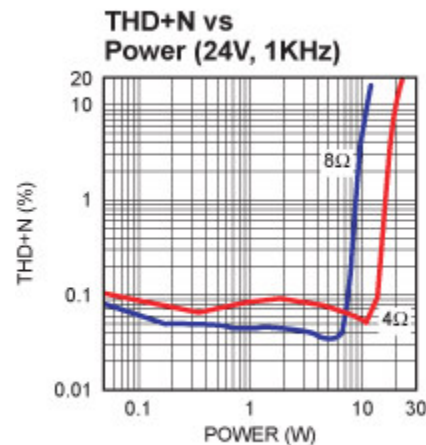
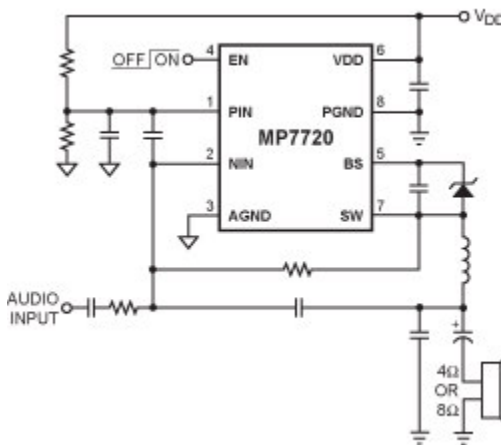
#### Product Datasheets

[MP7720](#)
[Datasheet Download](#)

#### Evaluation Boards

[EV7720DS-00A](#)

### TYPICAL APPLICATION


[Contact Us](#) . [Legal Notices](#) . [Privacy Policy](#)

All Content Copyright ©2007 Monolithic Power Systems, Inc. All Rights Reserved