

A

A

B

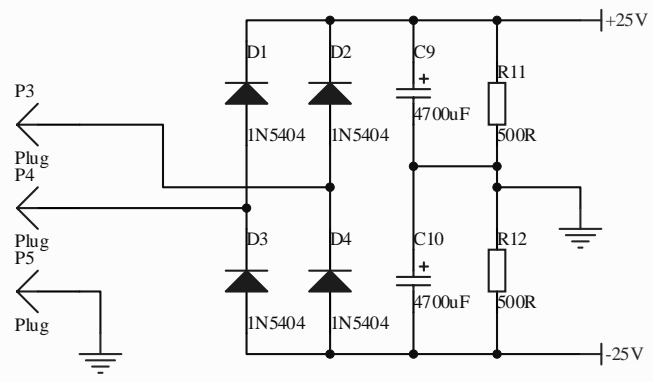
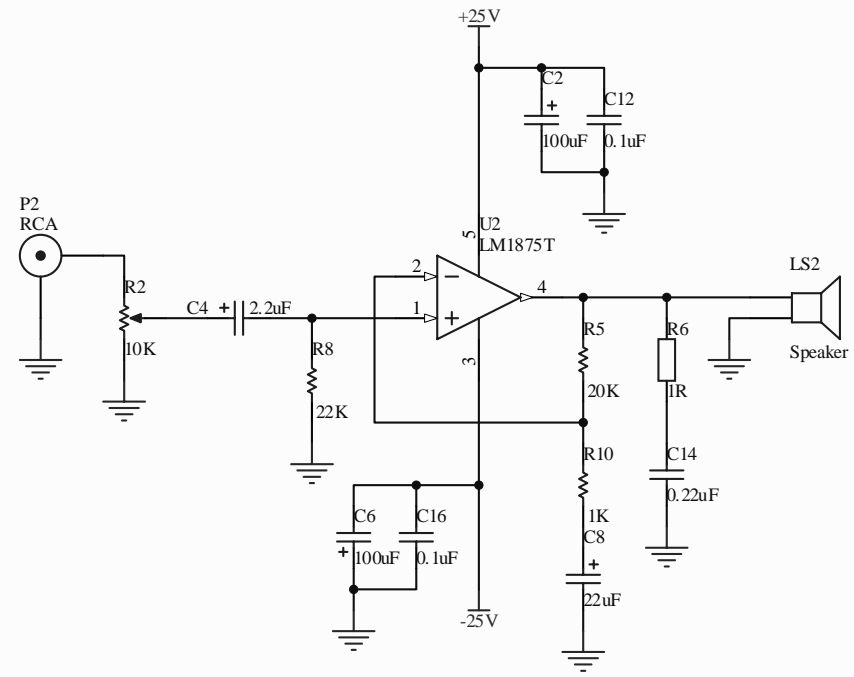
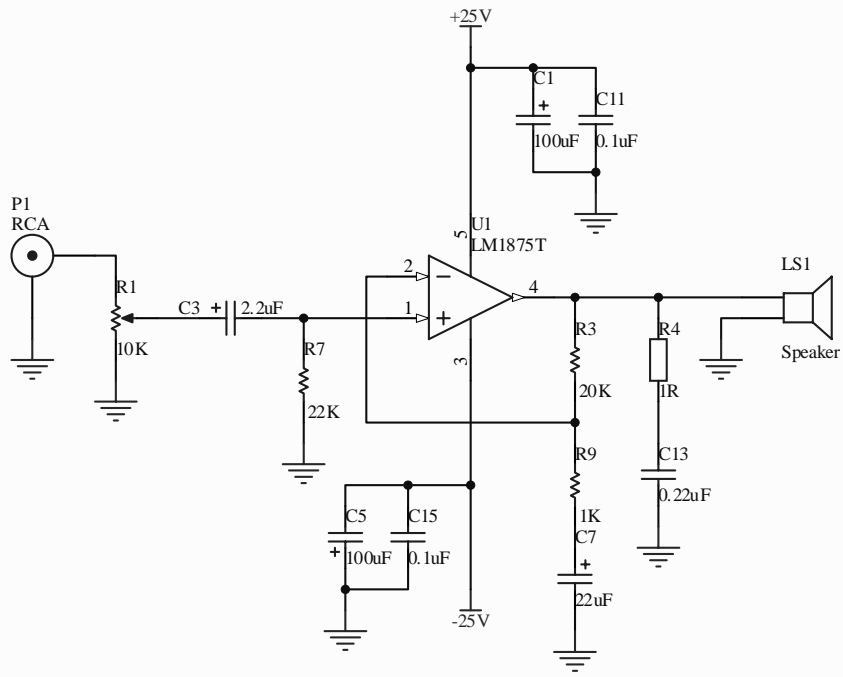
B

C

C

D

D



Title		
Size	Number	Revision
A		
Date:	10/27/2006	Sheet of
File:	E:\Amp\ChipAmp\Amp20W.SCHDOC	Drawn By: