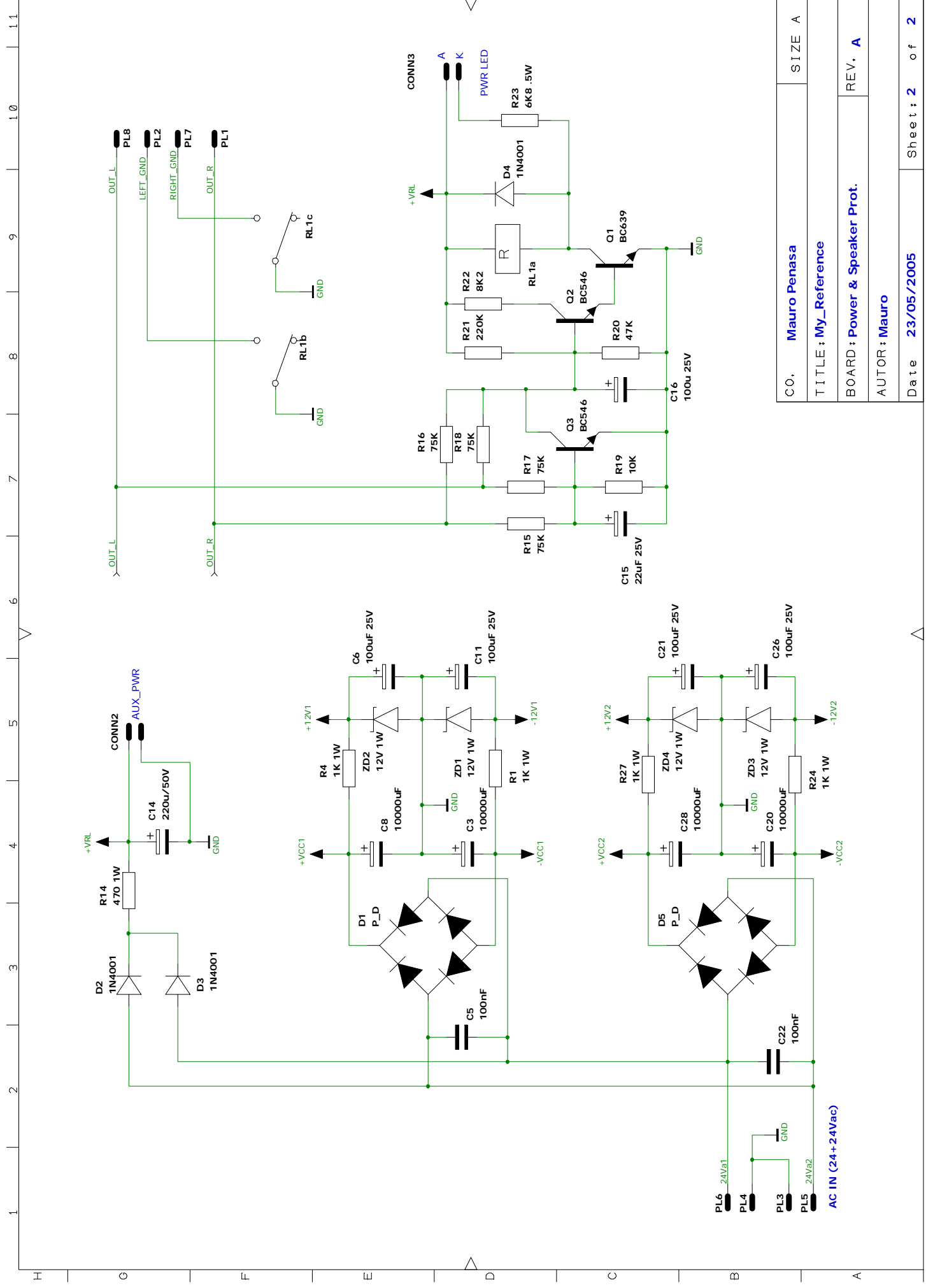


CO.	Mauro Penasa	SIZE	A
TITLE	My_Reference		
BOARD	Right-Left Ampli	REV.	A
AUTOR	Mauro		
Date	23/05/2005	Sheet	1 of 2



CO.	Mauro Penasa	SIZE	A
TITLE: My_Reference			
BOARD: Power & Speaker Prot.		REV. A	
AUTOR: Mauro			
Date	23/05/2005	Sheet: 2	of 2

My_reference. l sp. txt

Name	Ref	Value	Qty	Description
1N4001	D2	1N4001	3	1A- 50V Di ode
	D3	1N4001		
	D4	1N4001		
BC546	Q2		2	NPN Bi pol ar
	Q3			
BC639	Q1		1	NPN Bi pol ar
BZX85- XX	ZD1	12V 1W	4	Zener 1. 3W
	ZD2	12V 1W		
	ZD3	12V 1W		
	ZD4	12V 1W		
C050- 025X075	C7	100nF	6	p5 25*75 Box Capaci tor MKT 50V
	C10	100pF		
	C12	220pF		
	C23	100nF		
	C25	100pF		
	C27	220pF		
C102- 043X133	C4	100nF	4	p10 43*133 Box Capaci tor MKT 100V
	C5	100nF		
	C19	100nF		
	C22	100nF		
C102_152- 062X184	C13	1µF MKP	2	p10- 15 62*184 Box Capaci tor
	C29	1µF MKP		
CP- 10_5	C9	220µF	3	Radi al (10mm) EL. Capaci tor 50V
	C14	220µF		
	C24	220µF		
CP- 18_7- 5	C1	220uF	4	Radi al (18mm) EL. Capaci tor 50V low ESR
	C2	220uF		
	C17	220uF		
	C18	220uF		
CP- 30_snap	C3	10000uF	4	Snap- in (30mm) EL. Capaci tor 40V
	C8	10000uF		
	C20	10000uF		
	C28	10000uF		
CP- 6- 3_2- 5	C15	22uF 25V	1	Radi al (6. 3mm) EL. Capaci tor
CP- 8_3- 5	C6	100uF 25V	5	Radi al (8mm) EL. Capaci tor
	C11	100uF 25V		
	C16	100uF 25V		
	C21	100uF 25V		
	C26	100uF 25V		
Faston_cs	PL1		8	Single Pin Header Faston 6. 3mm Male C. S.
	PL2			
	PL3			
	PL4			
	PL5			
	PL6			
	PL7			
	PL8			
LMB18	U1	LMB18N	2	Plastic DIL Op Amp National semi. ONLY!
	U2			
LMB886	IC1 IC2	LMB886T	2	LMB886T or LMB886TF

My_reference. l sp. txt

M100P2	CONN1 CONN4		2	Molex 2p. Male
P_D	D1 D5		2	Fagor B250 C5000/3300 or B250 C7000/5000 (7A-250V)
R-0_25W	R2 R5 R6 R7 R8 R9 R10 R11 R12 R13 R15 R16 R17 R18 R19 R20 R21 R22 R25 R28 R29 R30 R31 R32 R33 R34 R35 R36	33K 22K0 . 1% 47K0 . 1% 12K0 22K0 . 1% 47K0 . 1% 390 1 3K32 100K 75K 75K 75K 75K 10K 47K 220K 8K2 33K 22K0 . 1% 47K0 . 1% 12K0 22K0 . 1% 47K0 . 1% 390 3K32 1 100K	28	Resistor 1/4 W 1%
R-0_5W	R23	6K8 . 5W	1	Resistor 1/2 W 5%
R-1W	R1 R4 R14 R24 R27	1K 1W 1K 1W 470 1W 1K 1W 1K 1W	5	Resistor 1 W 5%
R-CER-4W	R3 R26	0.47 7W 0.47 7W	2	Wire Resistor 7W
RELAY1	RL1	24Vdc 2sc. 8A-250V	1	
STRIP-2	CONN2 CONN3		2	2 way Pin Header