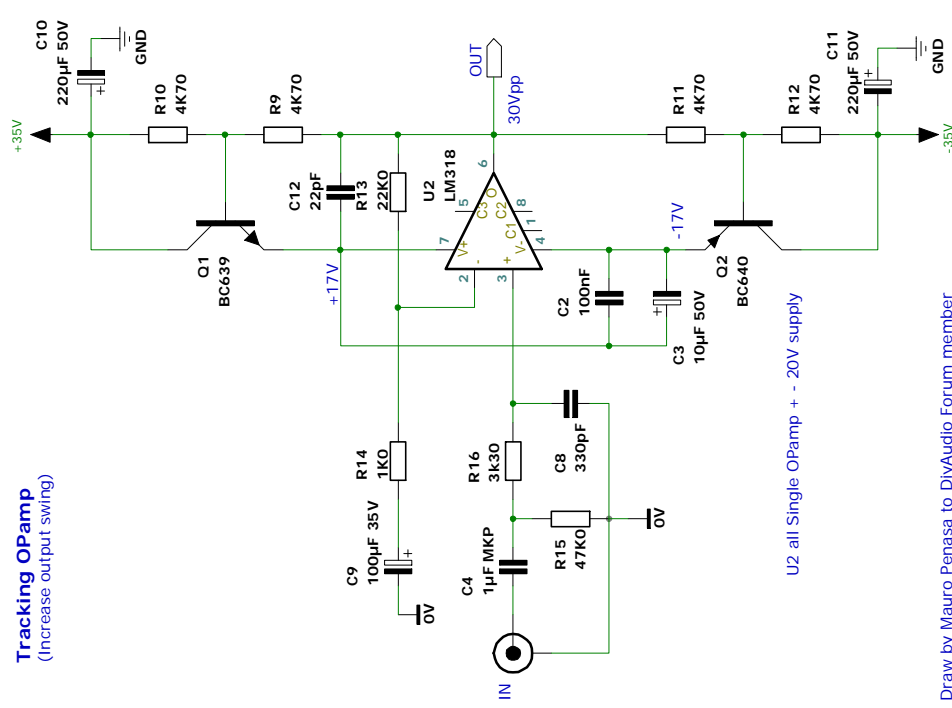


Tracking OPamp (Increase output swing)



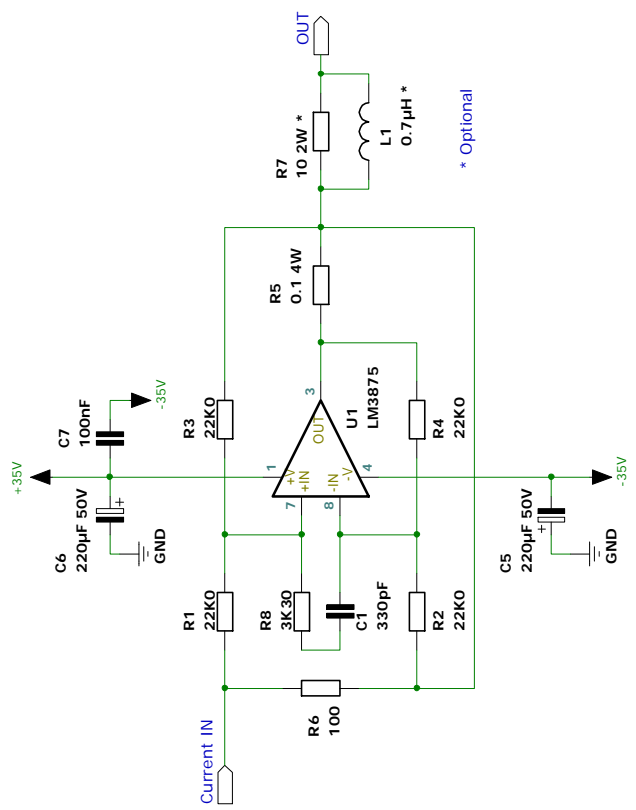
U2 all Single OPamp + - 20V supply

Draw by Mauro Penasa to DiyAudio Forum member

Power Current/Current converter

$I_{out} = (R4 * (R6 * I_{in})) / (R2 * R5)$
 IF $R5 = 0.1\text{ohm}$ & $R1 = R3 > I_{out} = 10(R6 * I_{in}) = 1000 \text{ A/A}$
 IF $R1 = R2 = R3 = R4 = 0.1\% \text{tol.} > Z_{out} = R5 * (R3 / 100)$

Available Alternative:
 * $R1 = R2 = R3 = R4 = 100\text{ohm} > Z_{out} = 100\text{ohm}$ $R8 = 15\text{K}$ (1/6 R1)
 * $R1 = R2 = R3 = R4 = 47\text{Kohm} > Z_{out} = 47\text{ohm}$ $R8 = 6\text{k}80$ (1/7 R1)
 U1 = LM3875 or LM3886
 * The Power bw decrease at increase Rx



* Optional

Draw by Mauro Penasa to DiyAudio Forum member